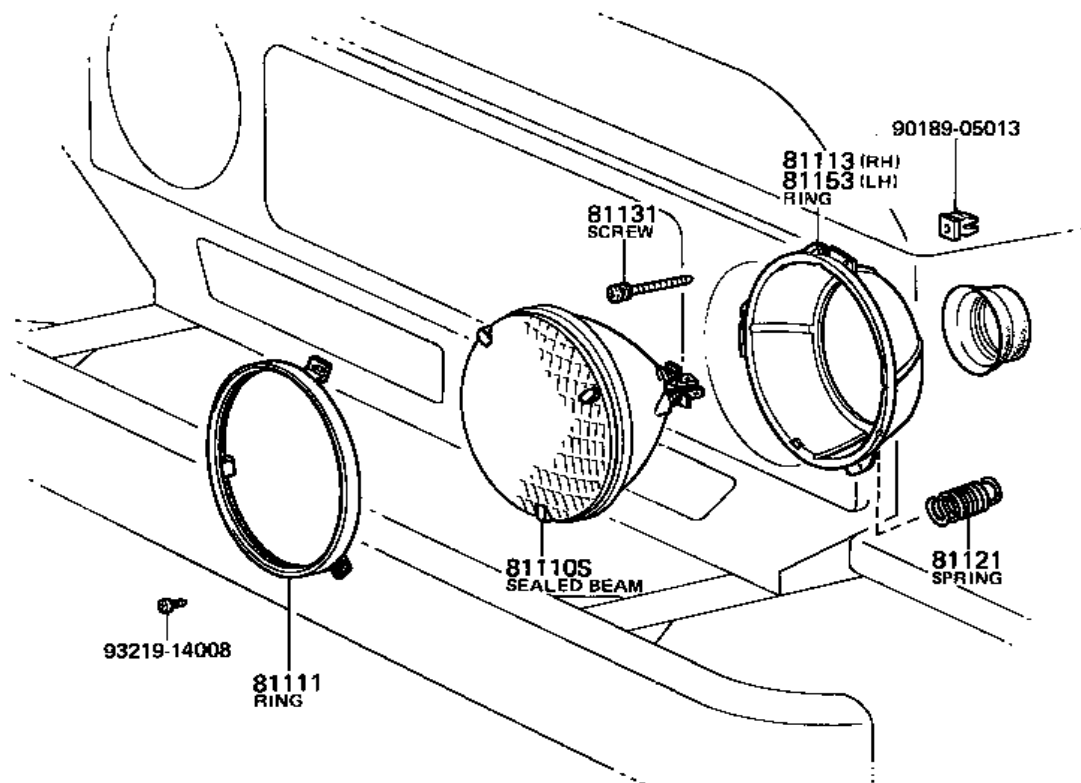
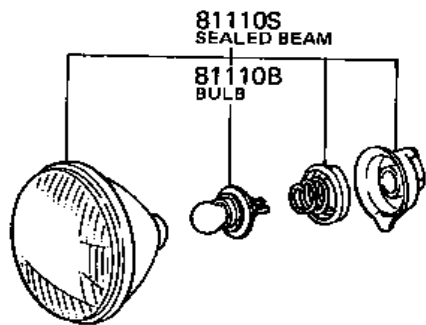


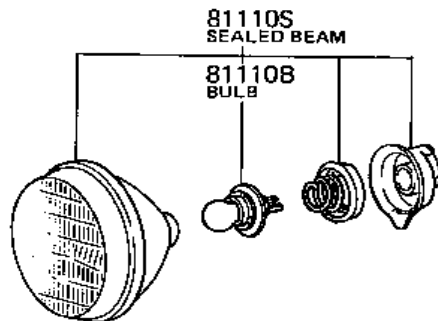
81110(RH)  
81150(LH)  
HEAD LAMP



Semi Sealed Type



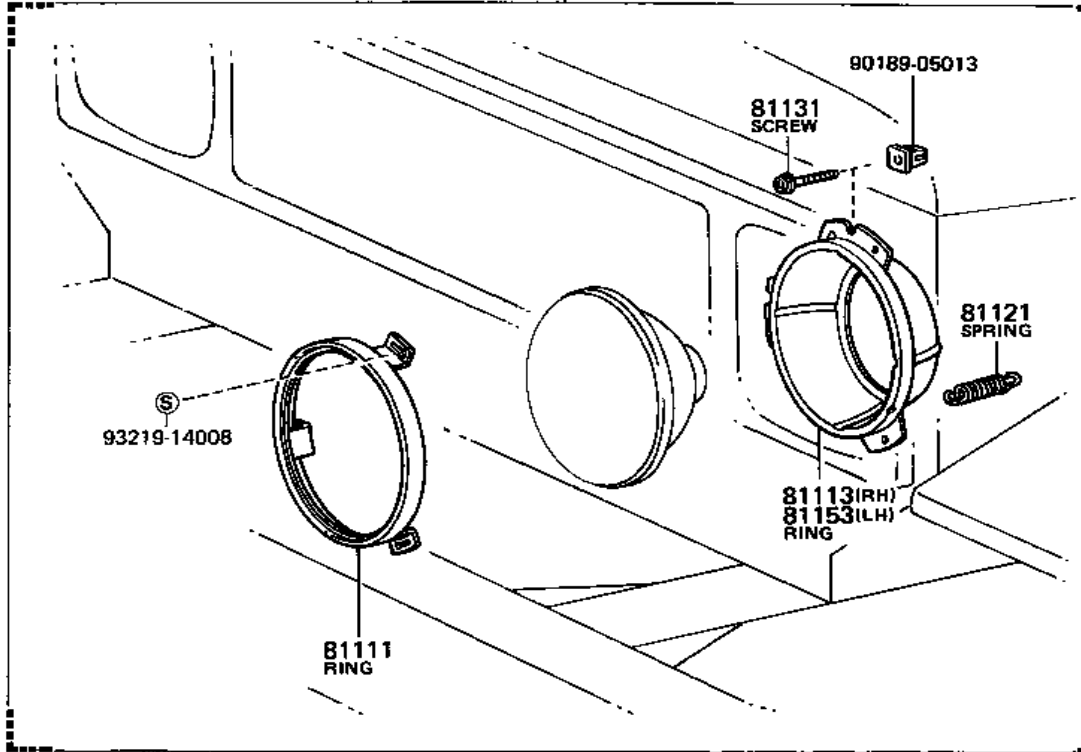
Flat Type



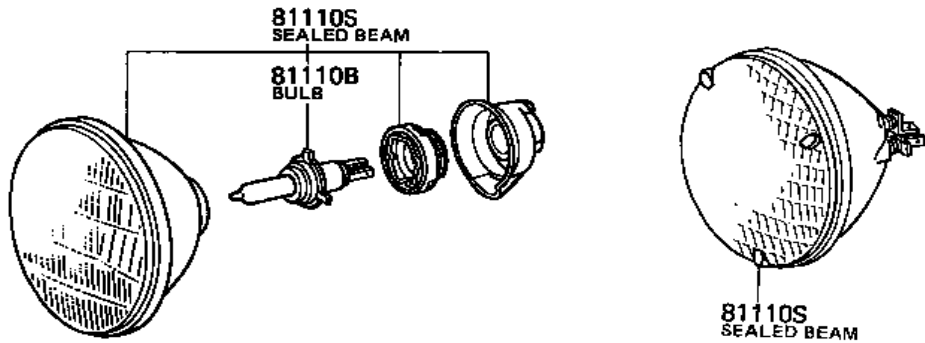
Halogen Type

81110(RH)  
81150(LH)  
HEAD LAMP

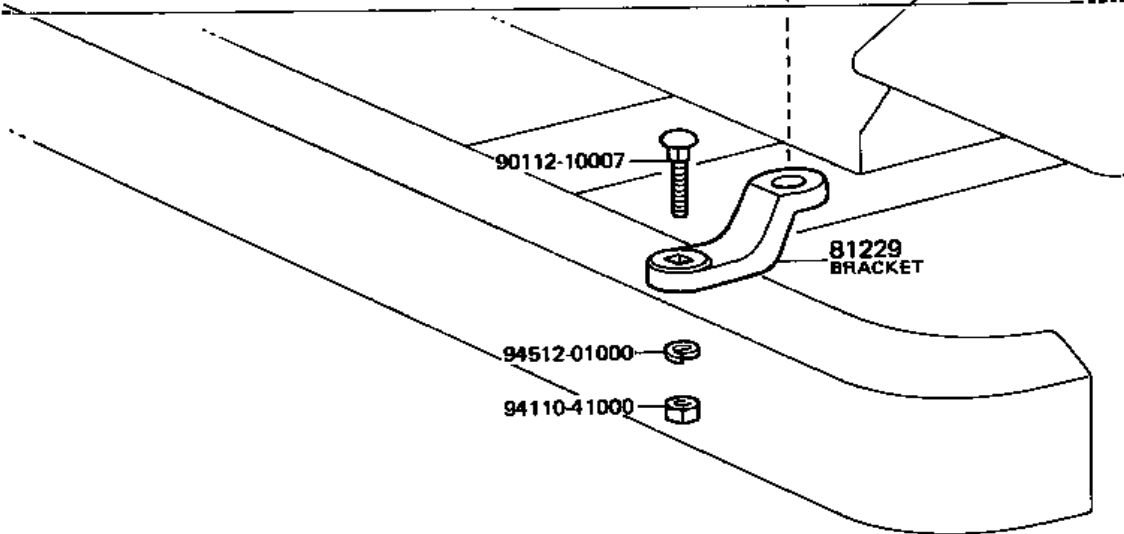
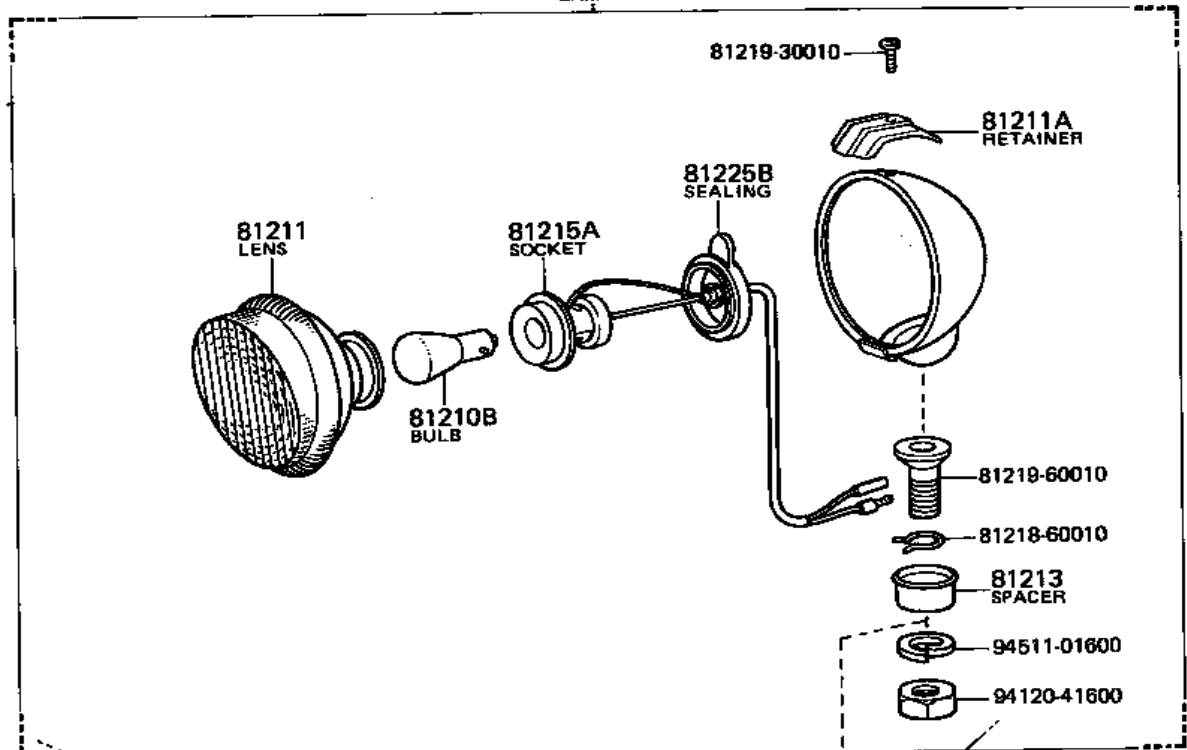
81110K(RH)  
81150K(LH)  
HEAD LAMP KIT



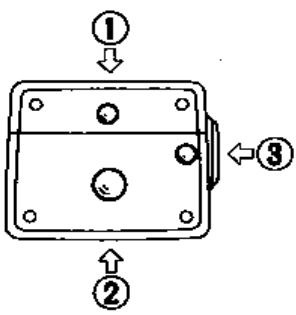
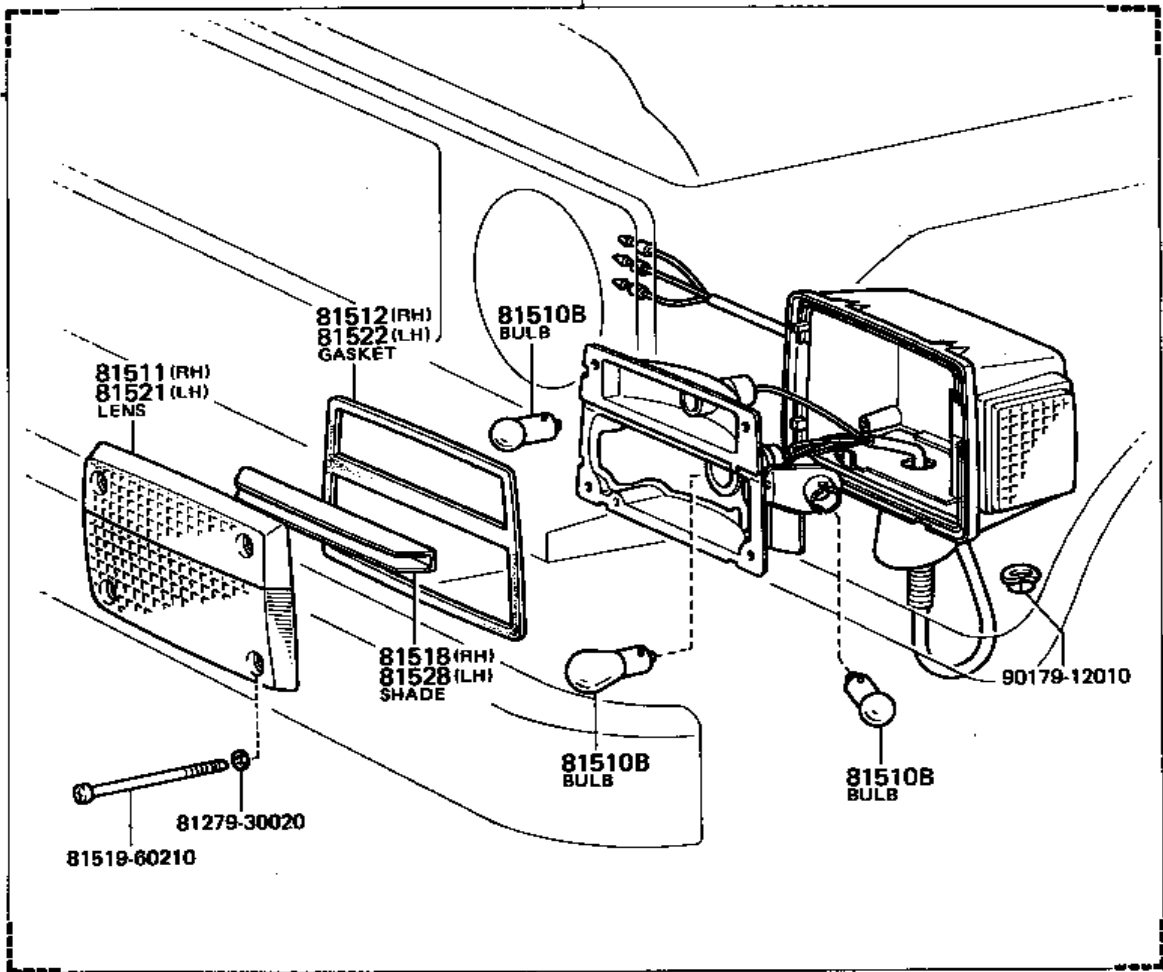
(8301- ) ARL



81210  
LAMP



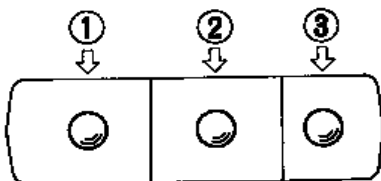
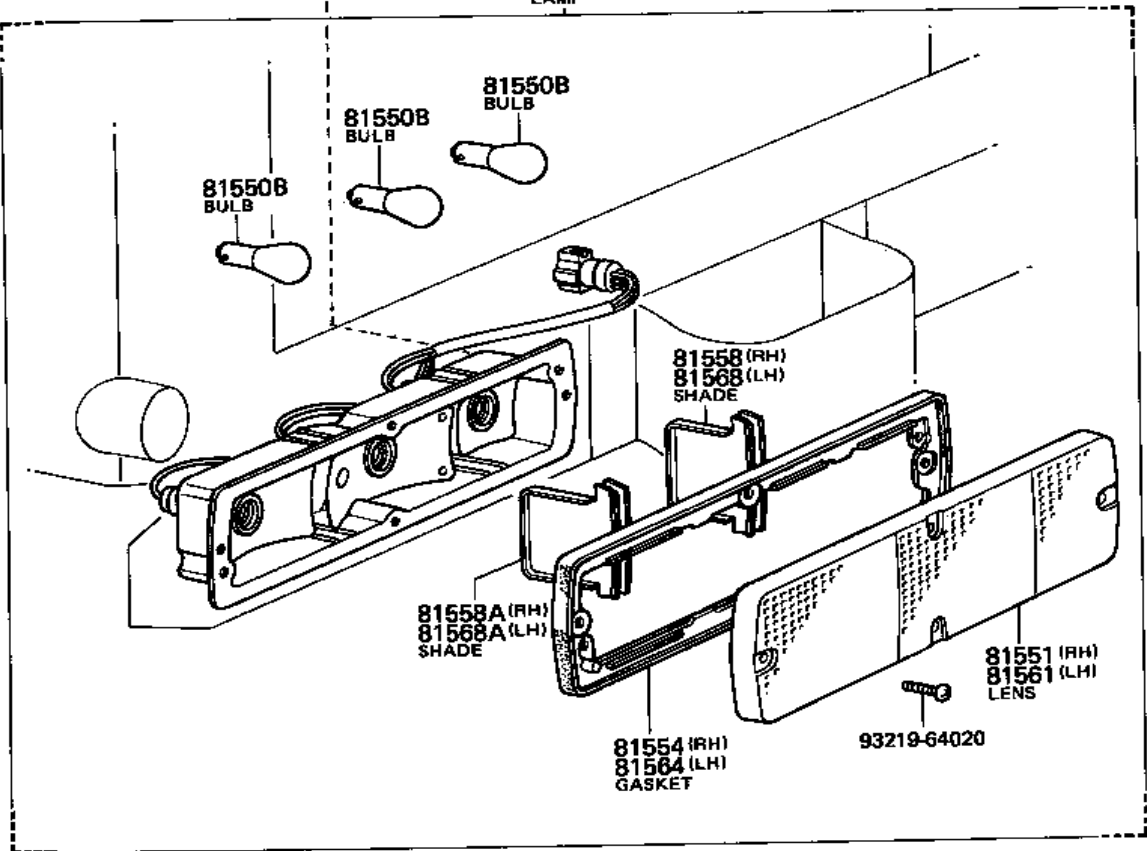
81510 (RH)  
81520 (LH)  
LAMP



Voltage	No.	①	②	③
12V		Clearance 12V 5W	Turn (Front) 12V 21W	Turn (Side) 12V 5W
24V		Clearance 24V 5W	Turn (Front) 24V 21W	Turn (Side) 24V 5W

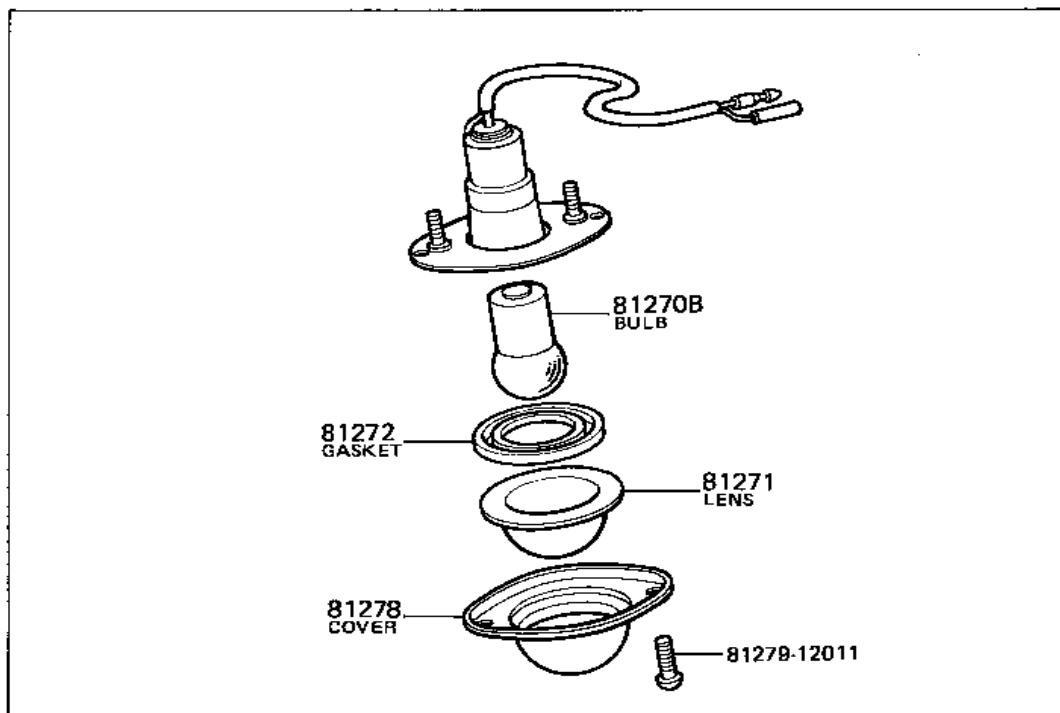
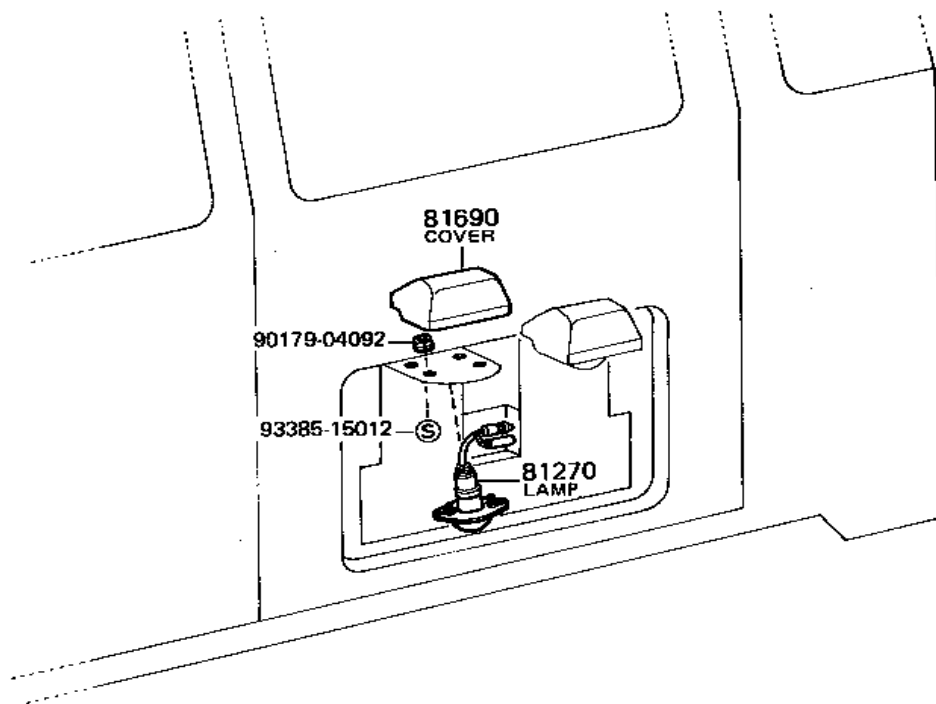
83319-15012

81550 (RH)  
81550 (LH)  
LAMP

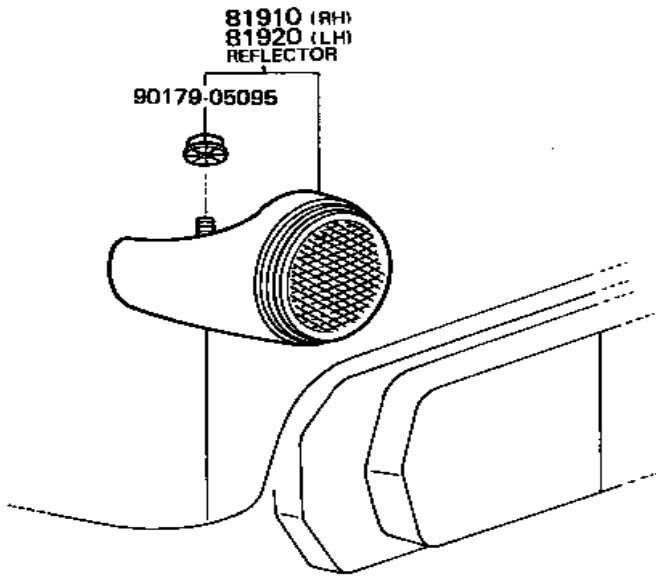


No.		①	②	③
		Volt.		
12V	Turn	Stop-Tail & Parking	Back	
	12V 21W	12V 21/5W	12V 21W	
24V	Turn	Stop-Tail & Parking	Back	
	24V 21W	24V 21/5W	24V 21W	

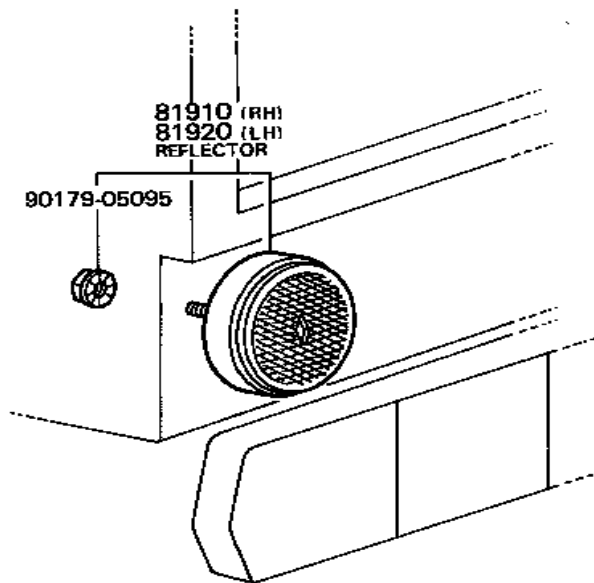
ME 8126-A



V,TP



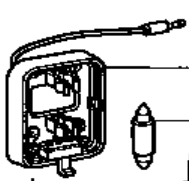
PIC



81240A  
BRACKET

91526-40620

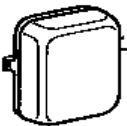
93640-15010



81240B  
BULB

81240  
LAMP

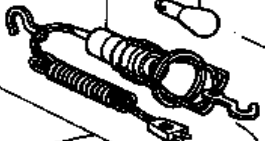
81241  
LENS



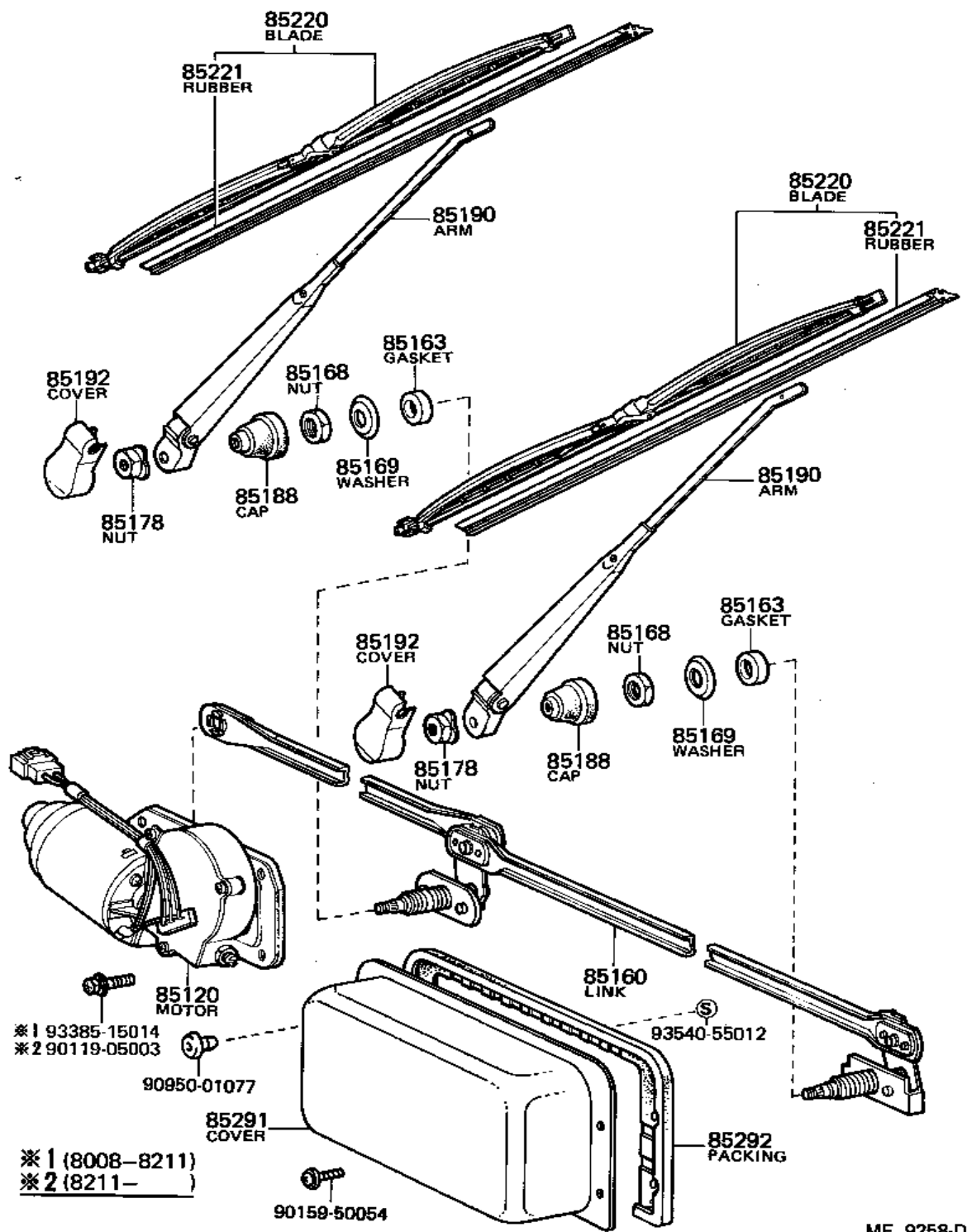
93315-14012

81370  
LAMP

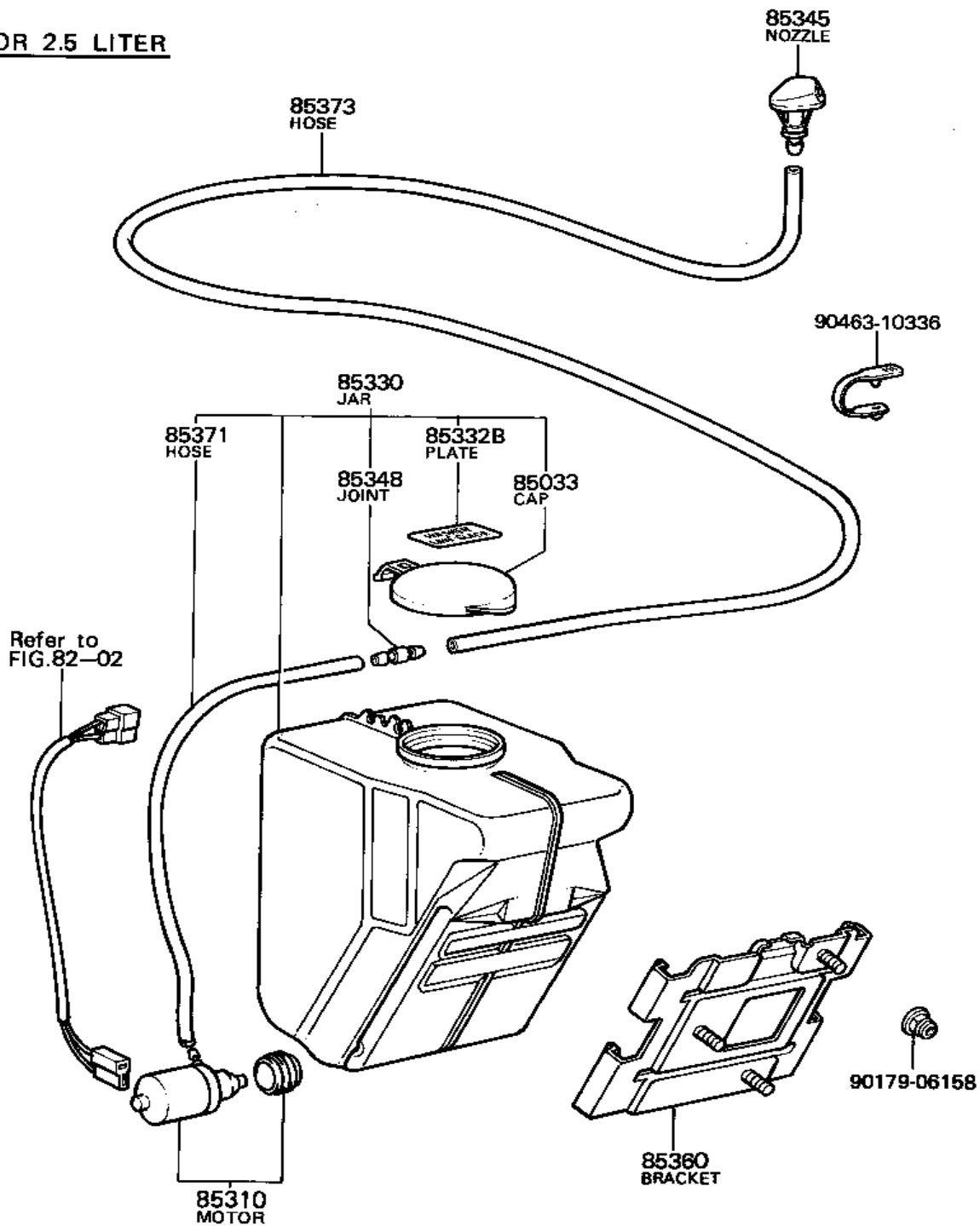
81370B  
BULB

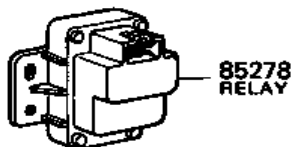






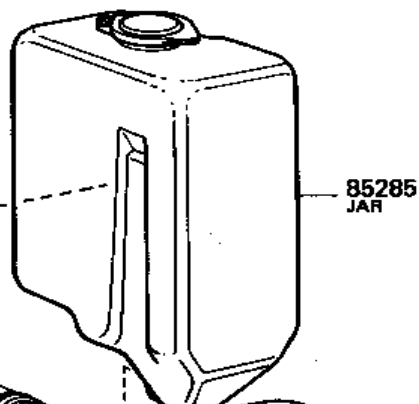
FOR 2.5 LITER





85278  
RELAY

90179-06115



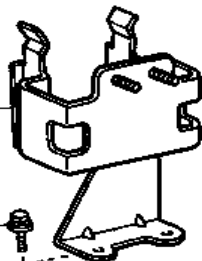
85285  
JAR

85361C  
BRACKET

90179-06070

91112-40620

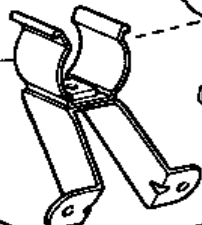
85283  
BRACKET



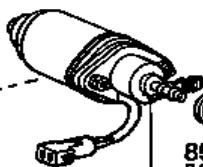
91651-40612

85230C  
BRACKET

91651-40612



90467-13003



85310A  
MOTOR

85336B  
PACKING

85272-22020

90467-13003

85341  
NOZZLE

85373A  
HOSE



85272-22020

85031  
VALVE



90467-13003

90463-12570

82711-22150



90467-13003

90463-12570

85031  
VALVE

85341  
NOZZLE

85372A  
HOSE



85272-22020

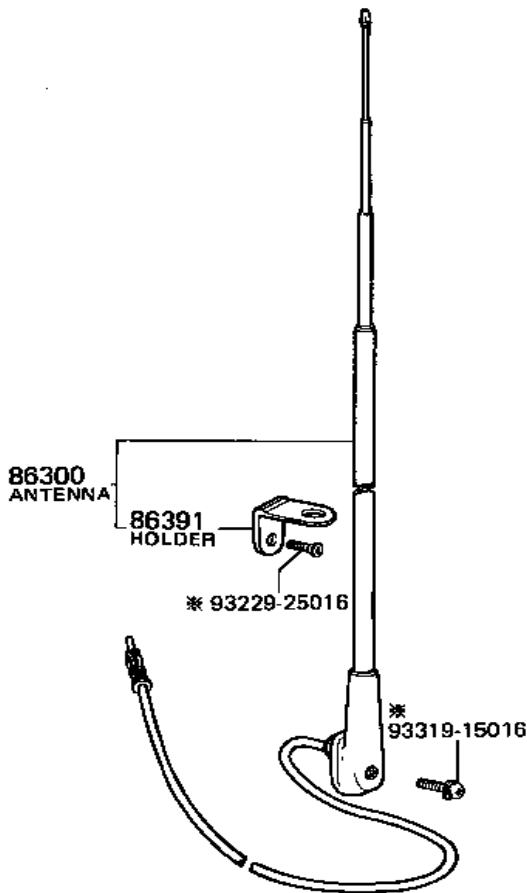
90467-13003

90467-13003

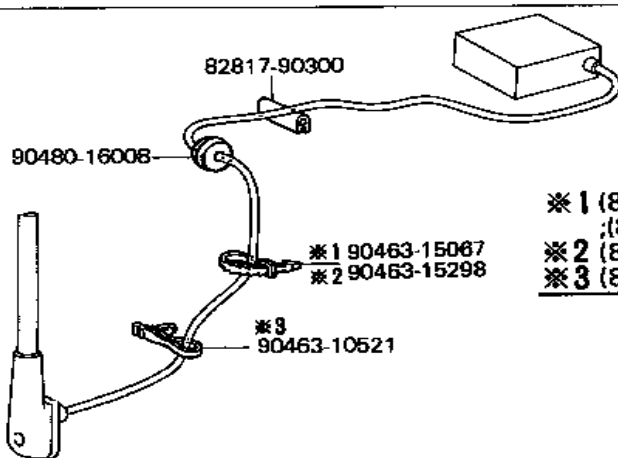
90467-13003

90467-13003

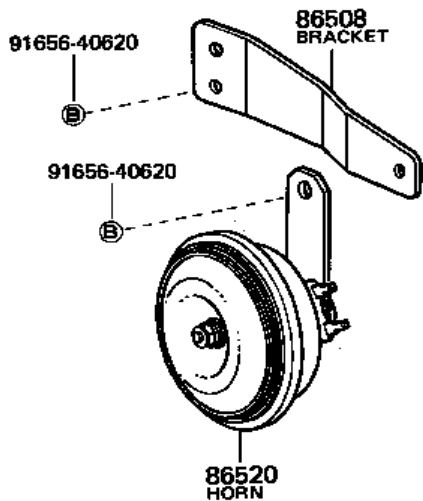
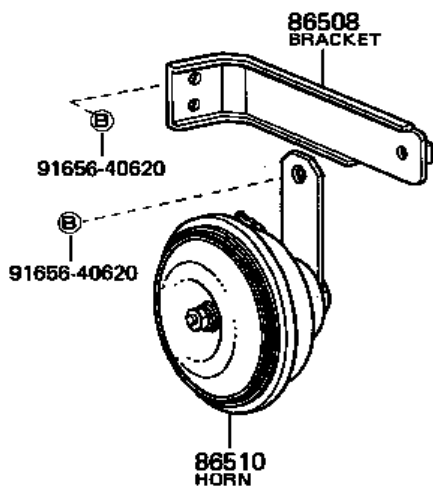
85348A  
JOINT



\* (8008-8210)

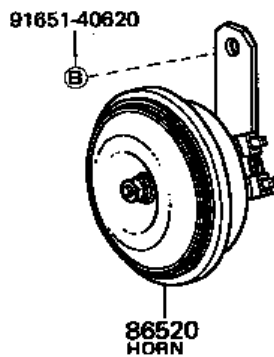
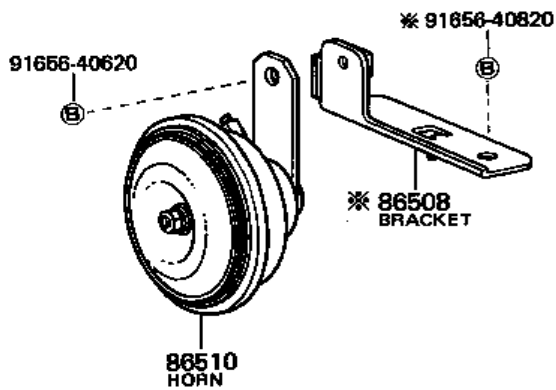
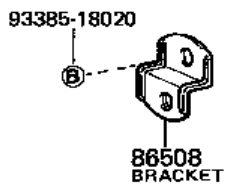


\*1 (8008-8210) BJ4# . . LHD  
; (8008-8210) HJ4#, FJ4#  
\*2 (8008-8210) BJ4# . . RHD  
\*3 (8008-8210) LHD



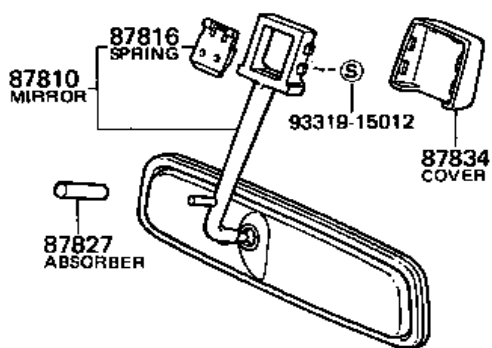
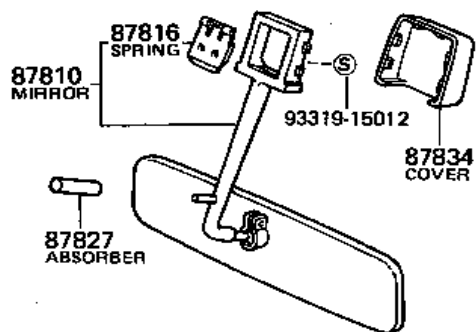
FJ, HJ

W/COOLER

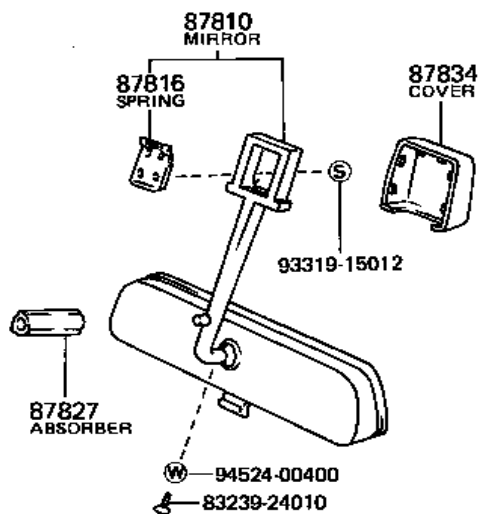


GEN, ARL (8008-8210)

EUR (8008-8210)

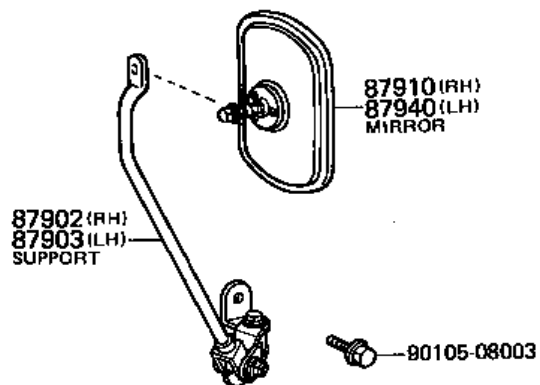


(8210- )

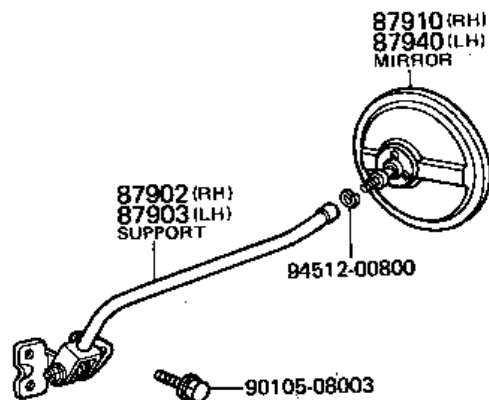


ME 9323-D

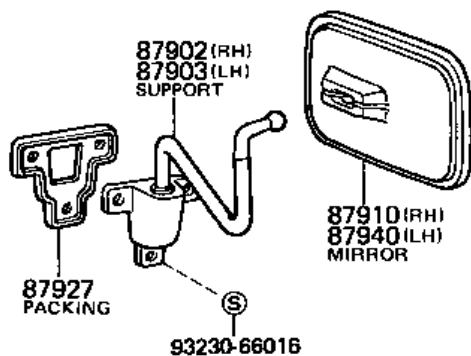
### Canvas Door (Convex Type)



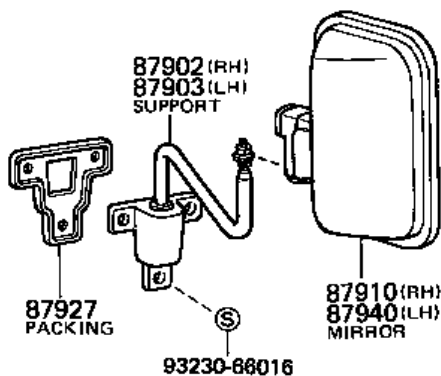
### Canvas Door (Plain Type)



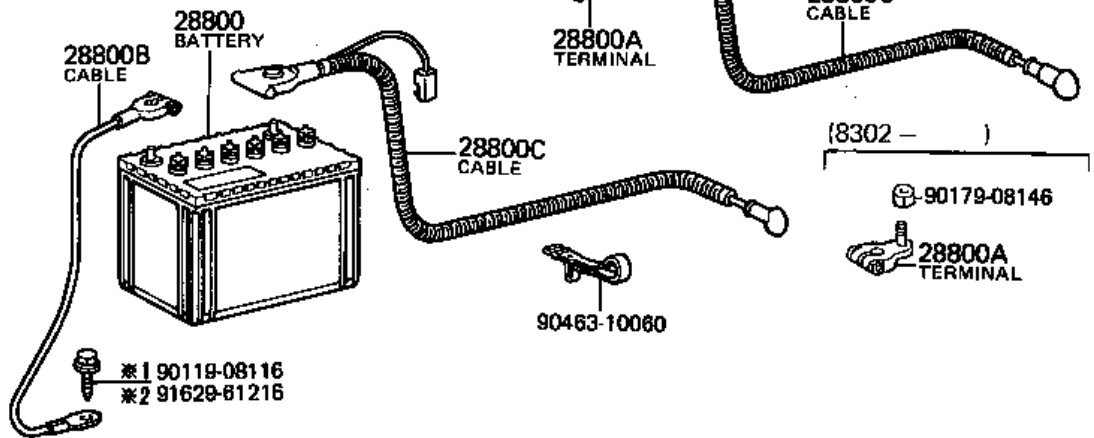
### Steel Door



### Europe Type



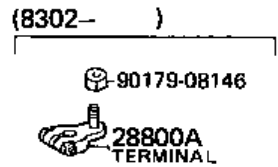
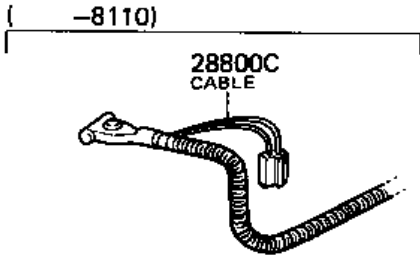
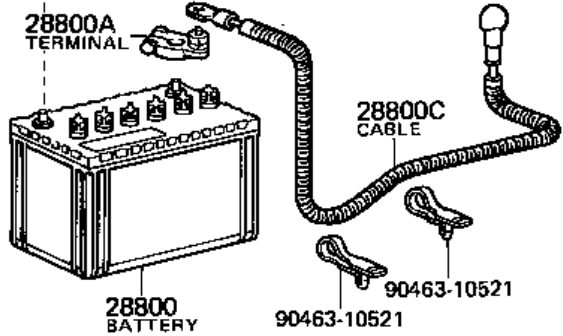
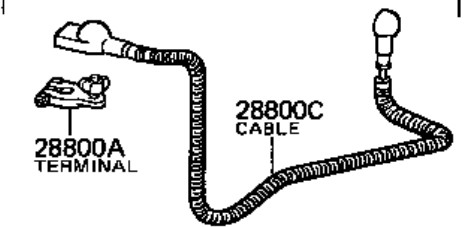
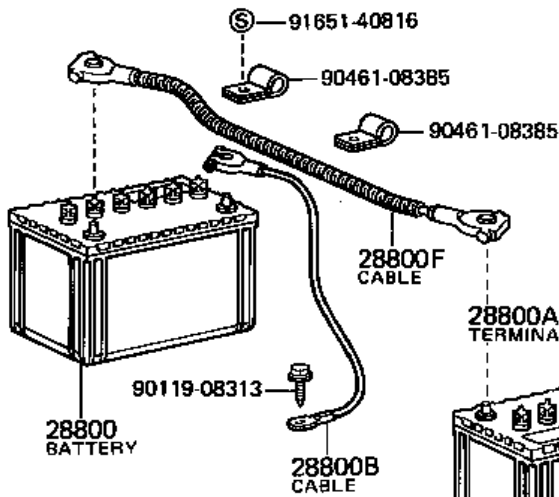
W/Electrical Winch

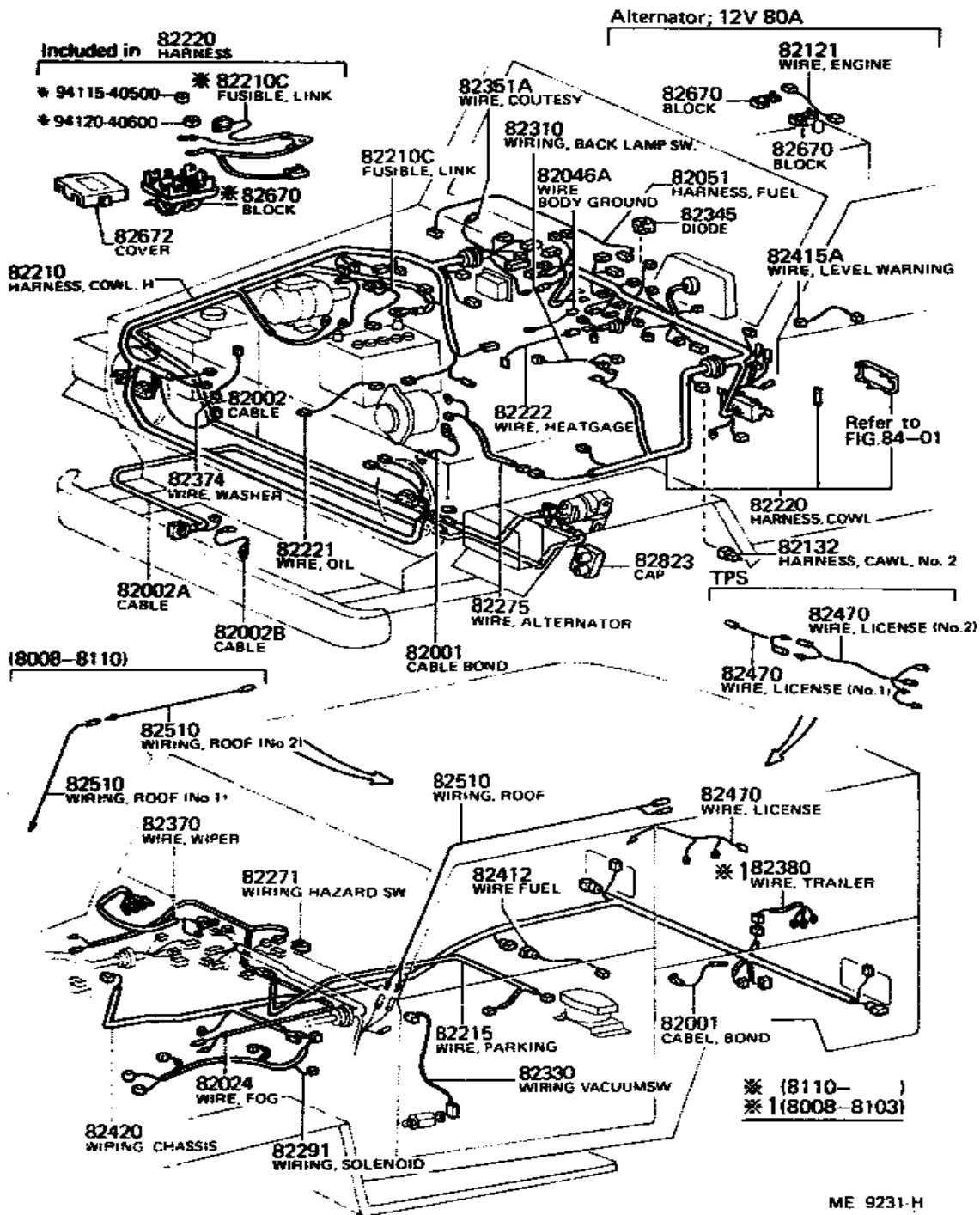


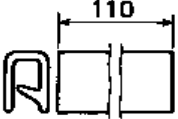
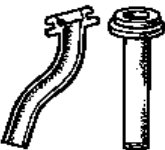
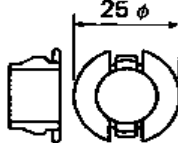
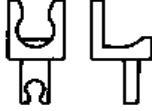
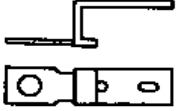
※1 BJ, FJ  
※2 HJ


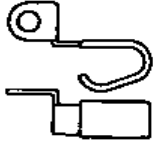





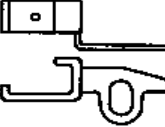
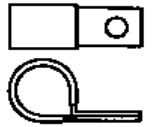
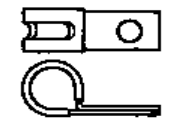
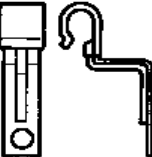
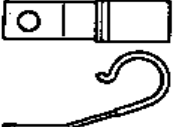
W/Electrical Winch

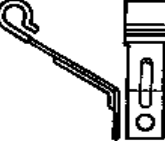
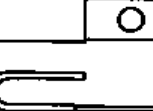
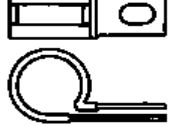
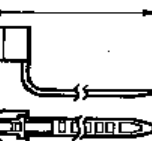
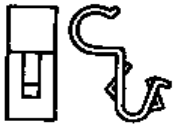


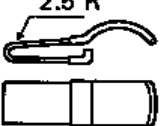
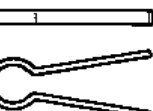

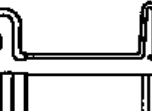
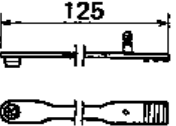


NO.	①	②	③	④	⑤
TYPE					
PART NO.	82817-90351	82818-90300	82819-90305	83719-90300	90461-06083

NO.	⑥	⑦	⑧	⑨	⑩
TYPE					
PART NO.	90461-06671	90461-08026	90461-08116	90461-08202	90461-08206

NO.	⑪	⑫	⑬	⑭	⑮
TYPE					
PART NO.	90461-08265	90461-08385	90461-10274	90462-10047	90461-10476

NO.	⑯	⑰	⑱	⑲	⑳
TYPE					
PART NO.	90461-10875	90461-10893	90461-12543	82711-12200	90463-04079

NO.	㉑	㉒	㉓	㉔	㉕
TYPE					
PART NO.	90463-08030	90463-08207	90463-08375	90463-08432	90463-10010

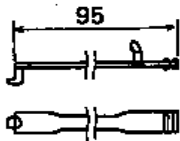
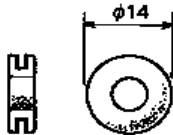
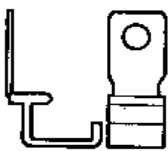
NO.	26	27	28	29	30
TYPE	110 	135 	95 	92 	$\phi 82$ 
PART NO.	90463-10012	90463-10060	90463-10521	90463-12570	90480-70001

NO.	31	32	33	34	35
TYPE	160 				$\phi 14$ 
PART NO.	90463-10024	90464-00087	90464-00190	90467-10007	90480-10300

NO.	36	37	38	39	40
TYPE	$\phi 21$ 	$\phi 23$ 	$\phi 23$ 	$\phi 32$ 	$\phi 78$ 
PART NO.	90480-15007	90480-15172	90480-15194	90480-19048	90480-58059

NO.	41	42	43	44	45
TYPE	$\phi 15$ 	$\phi 17$ 			
PART NO.	90560-08011	90480-07001	90461-08213	90461-12690	82711-22270

NO.	46	47	48	49	50
TYPE	80 			53 	$\phi 11$ 
PART NO.	82817-90300	90462-08015	90461-08430	82711-22150	90461-06086

NO.	⑤①	⑤②	⑤③		
TYPE					
PART NO.	90463-10521	90480-10300	90461-08183		

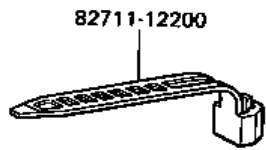
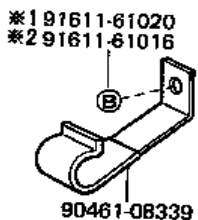
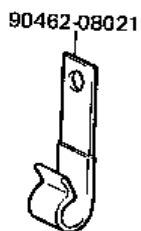
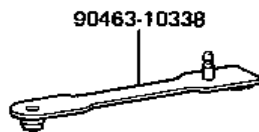
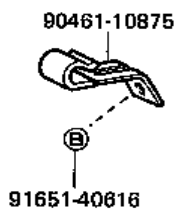
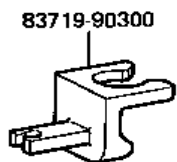
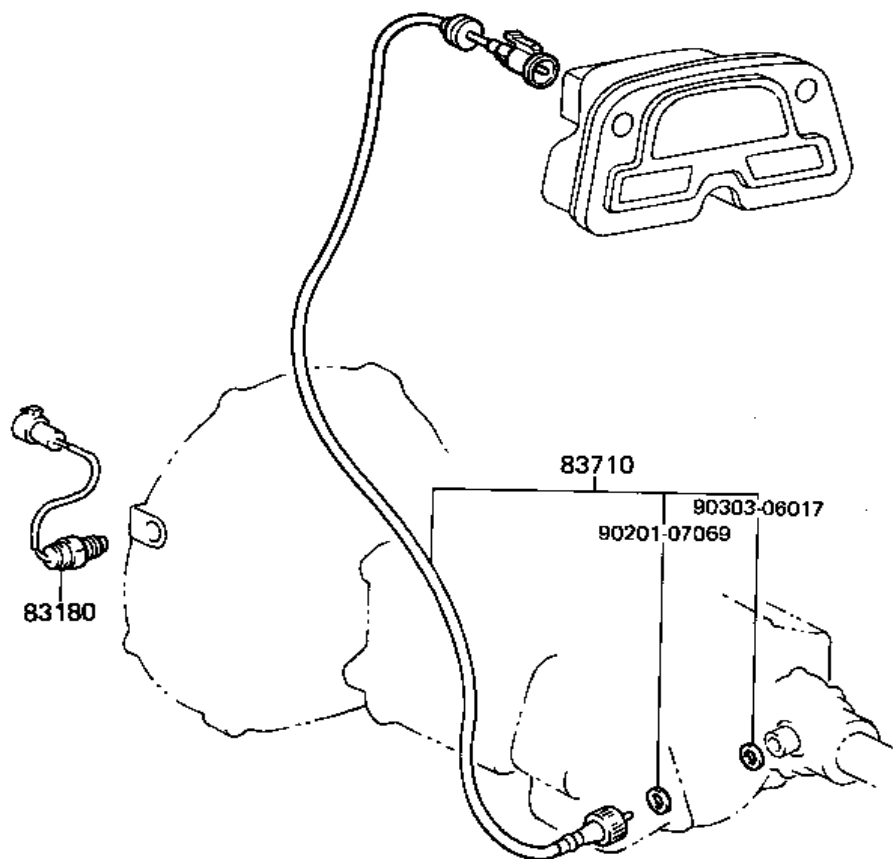
NO.					
TYPE					
PART NO.					

NO.					
TYPE					
PART NO.					

NO.					
TYPE					
PART NO.					

NO.					
TYPE					
PART NO.					





※ 1 W/ Winch  
 ※ 2 W/O Winch

81930  
LAMP, HEATER

81930B  
BULB

90183-04022

93530-54012

81850  
LAMP, INDICATOR

81850B  
BULB

81850B  
BULB

81850B  
BULB

93540-15012

W/FILTER OR GLOW

81850  
LAMP, INDICATOR

81859  
BRACKET

-8210)

81850  
LAMP, INDICATOR

81850B  
BULB

81850B  
BULB

-8210)

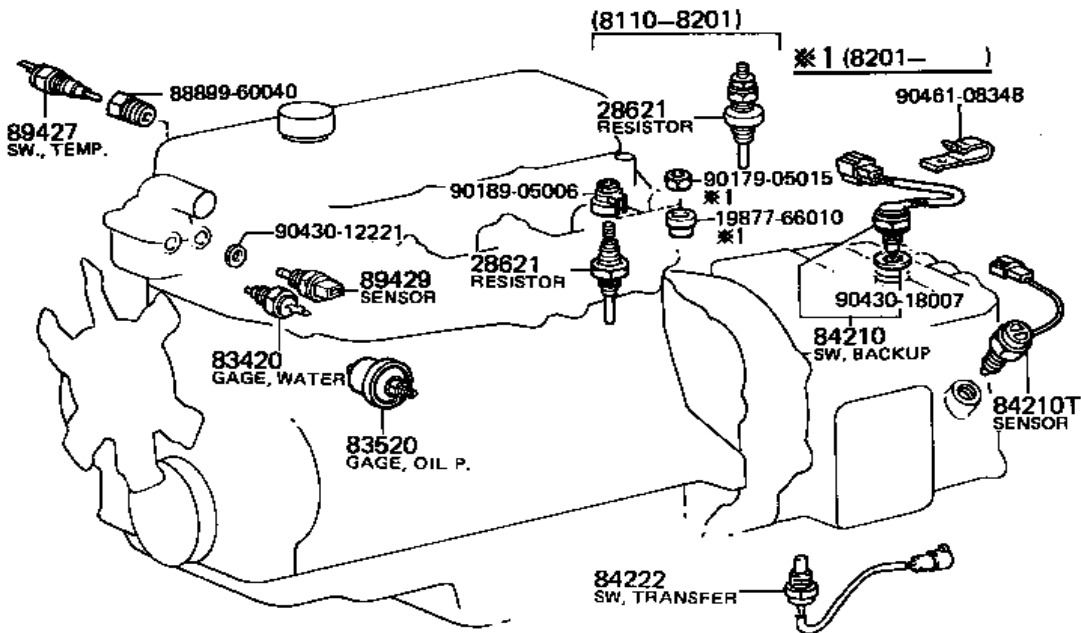
81856A  
SOCKET

81850B  
BULB

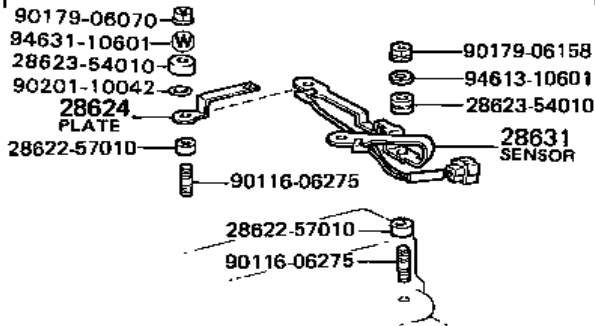
81850  
LAMP, INDICATOR

93540-15012

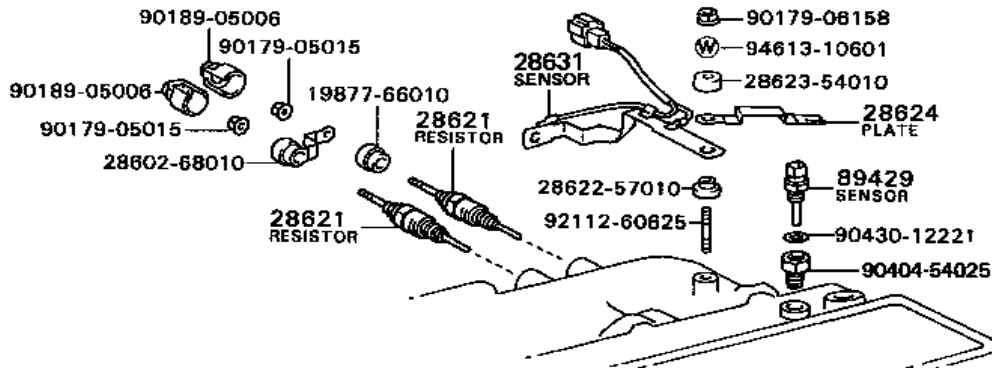


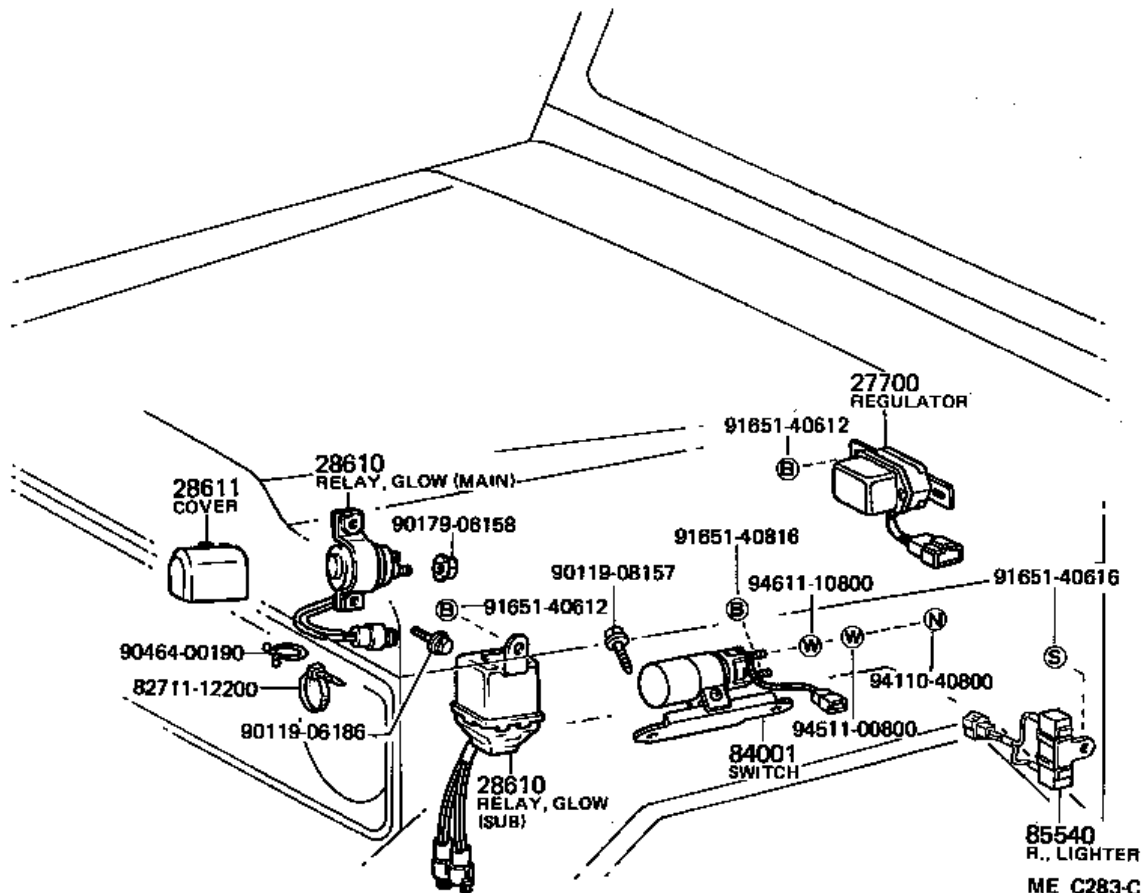


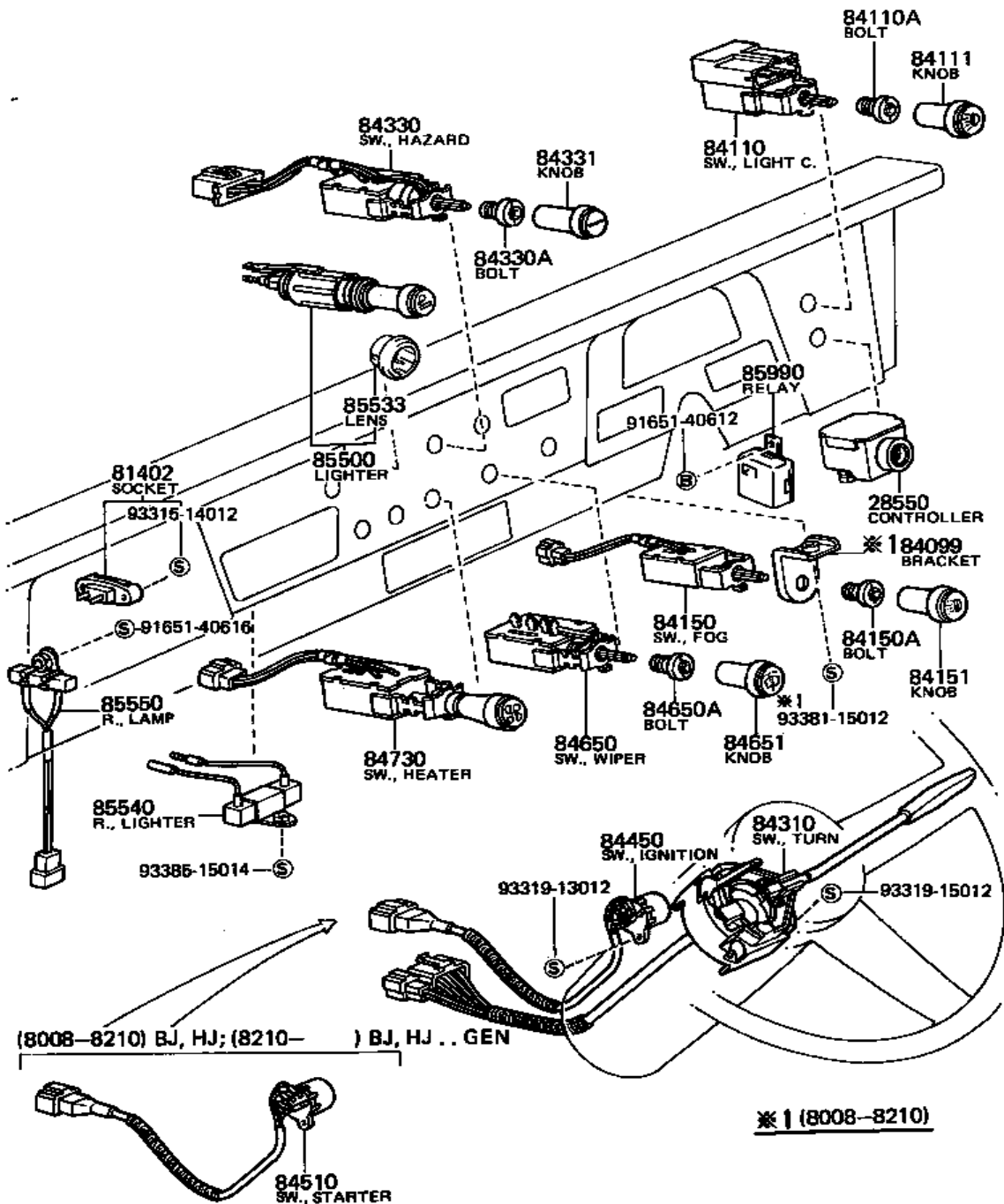
(8008-8110)



(8210- ) HJ47 . . ARL

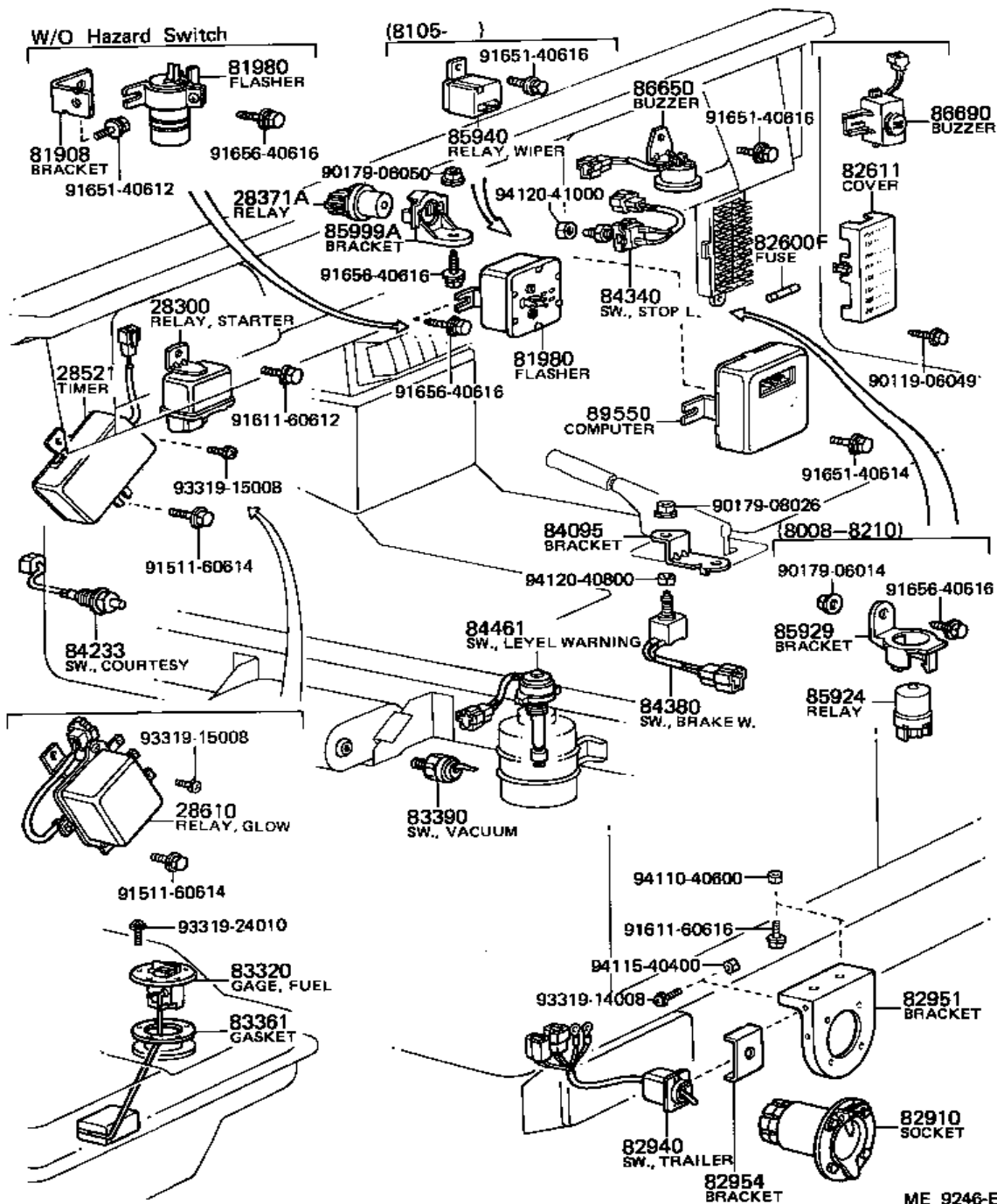






W/O Hazard Switch

(8105- )

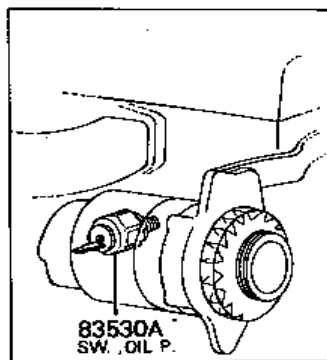


ME 9246-E

28571A  
ROD

91611-60665

94512-00600



28571  
MOTOR

90461-10472

91651-40814

28579  
BRACKET

91651-60825

94180-40500

28590  
RELAY, FUEL C.

86011  
RADIO & SETTING PART SET

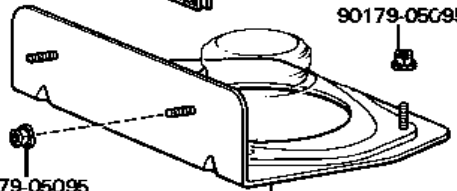
90480-16008



82817-90300



90179-05095



90179-05095

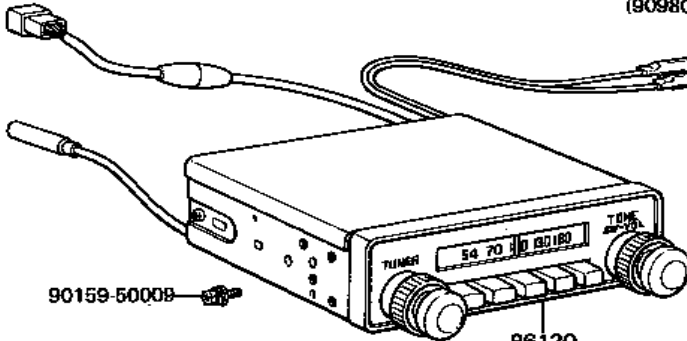
Refer to  
FIG. 86-02



86011A  
CONDENSER  
(90980-04011)



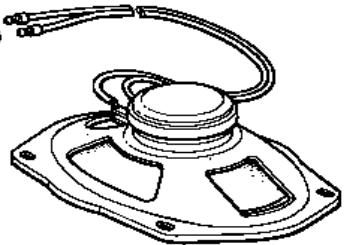
86011A  
CONDENSER  
(90980-04021)



90159-50008

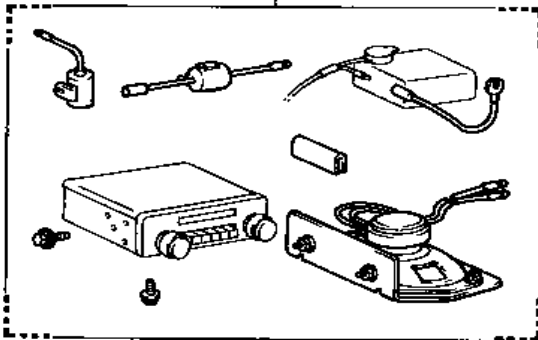
90159-50009

86120  
RECEIVER



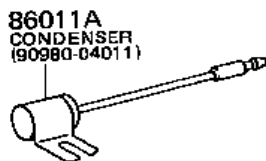
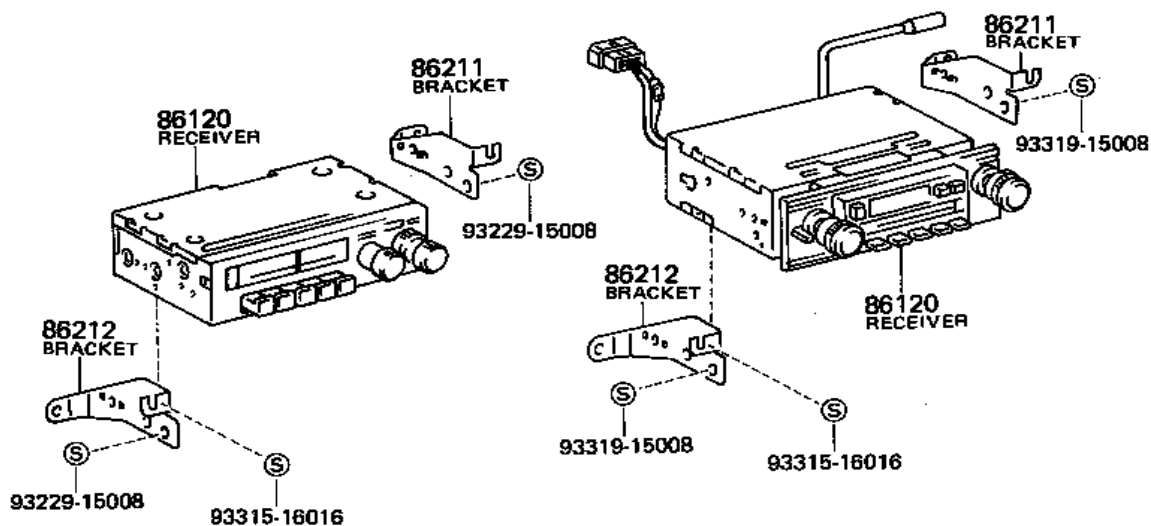
Refer to  
FIG. 86-02

86012  
PART SET RADIO SETTING



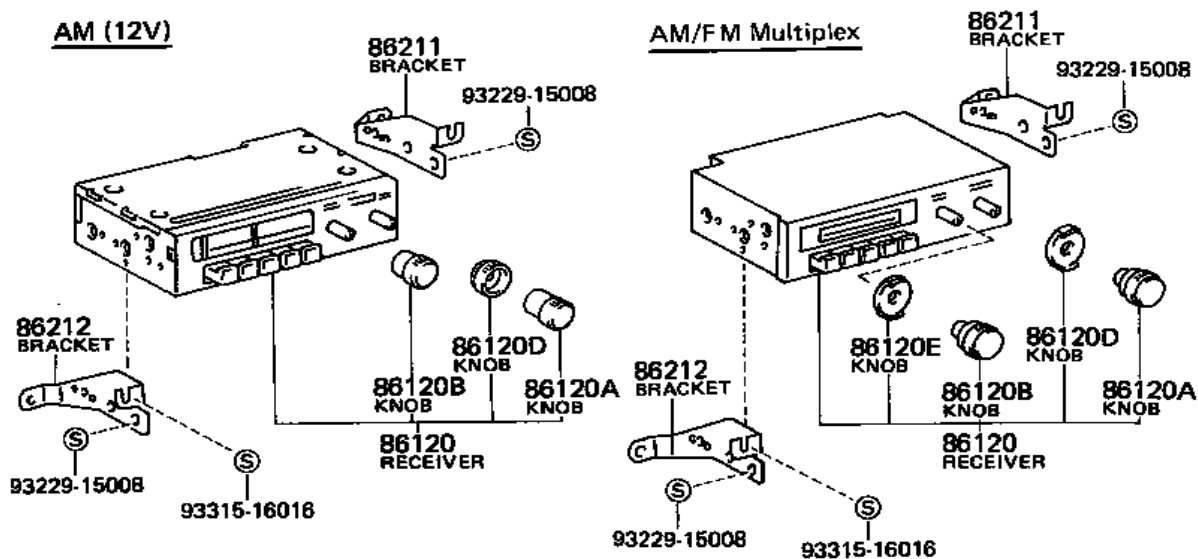
AM (24V), AM/SW

AM/FM (W/ Tape Player)

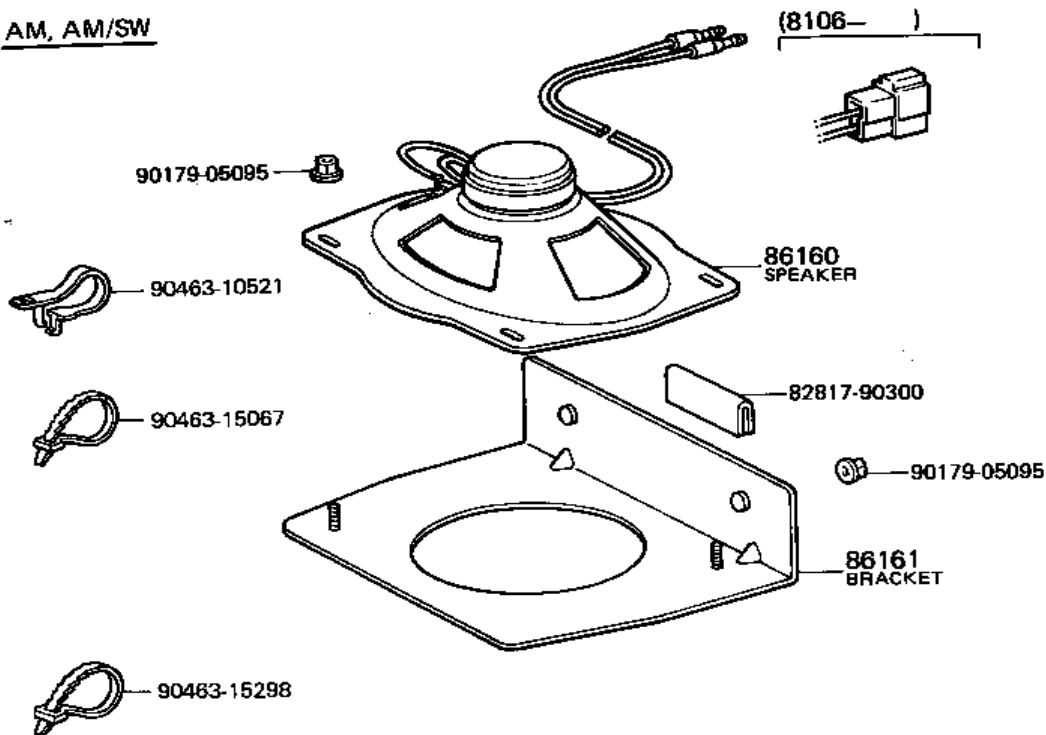


AM (12V)

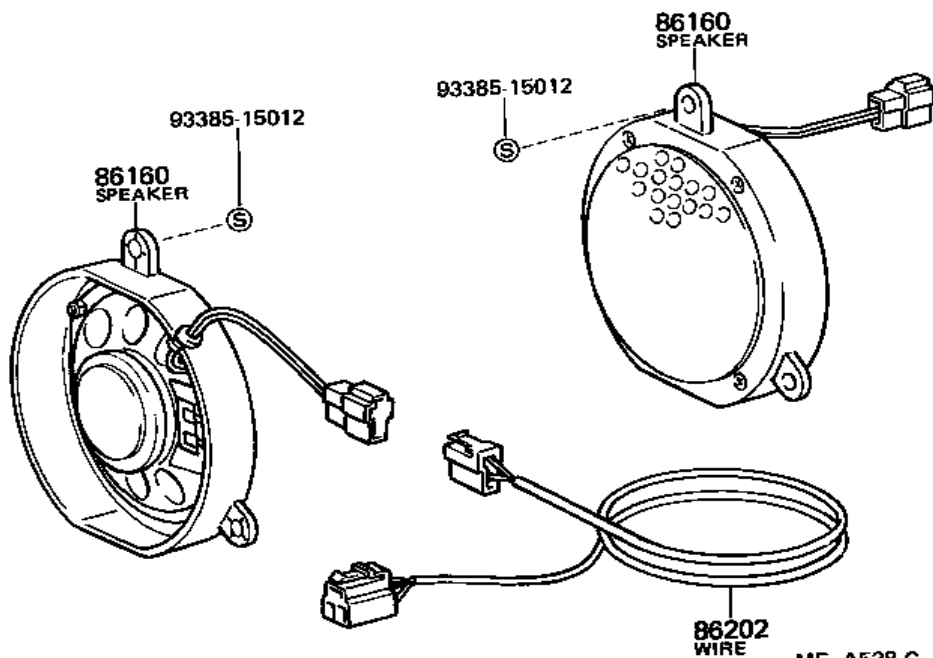
AM/FM Multiplex



AM, AM/SW

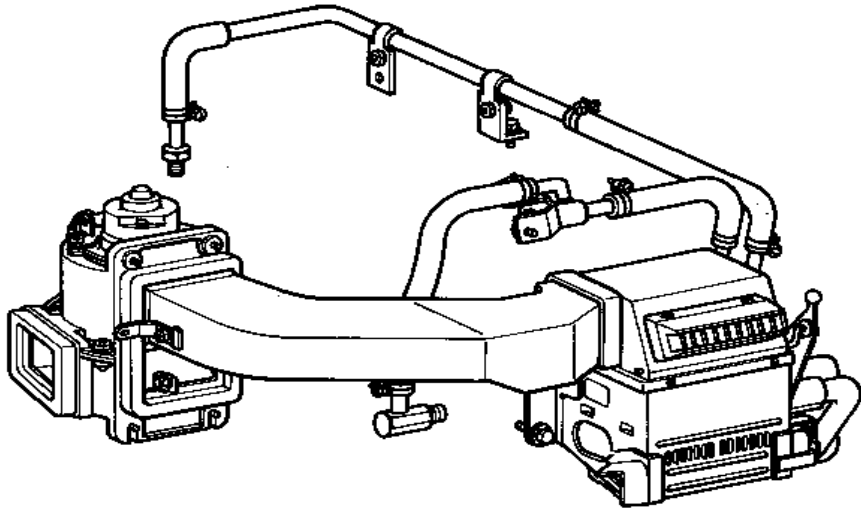


AM/FM

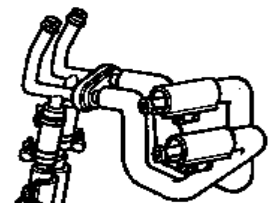




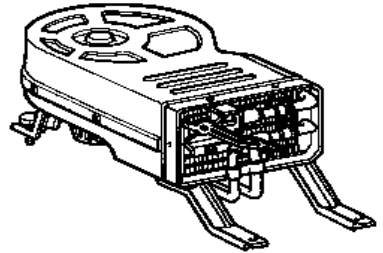
87100  
HEATER & ACCESSORY (FRONT)



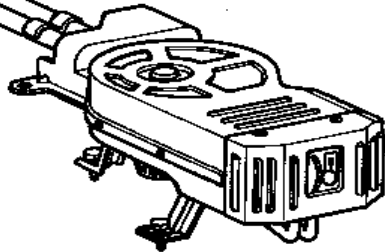
87200  
HEATER & ACCESSORY (REAR)



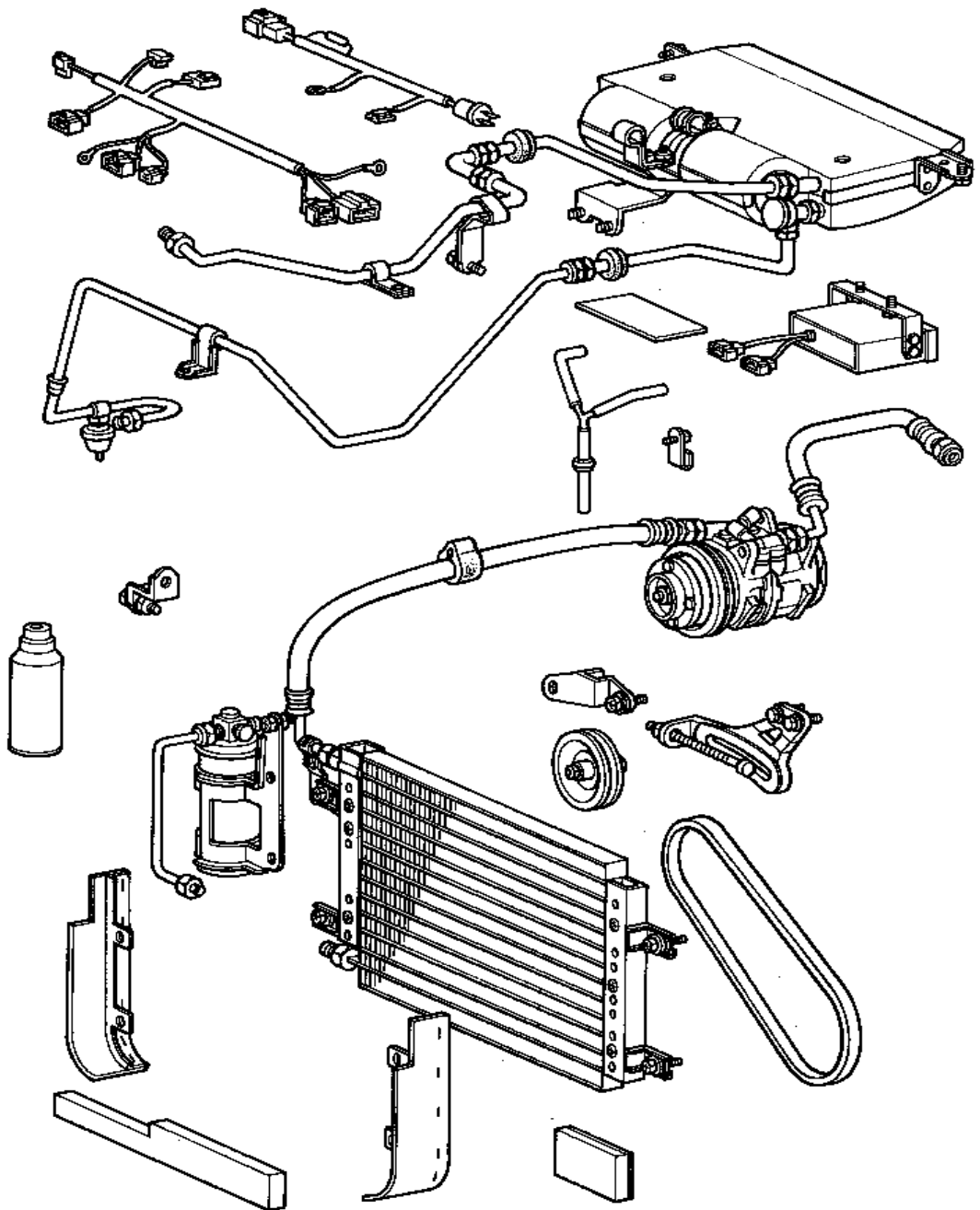
Separate Seat



Bench Seat

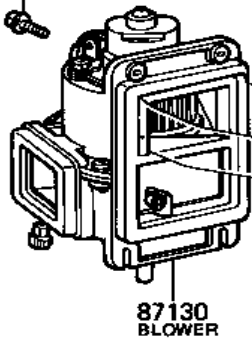


88300  
COOLER & ACCESSORY

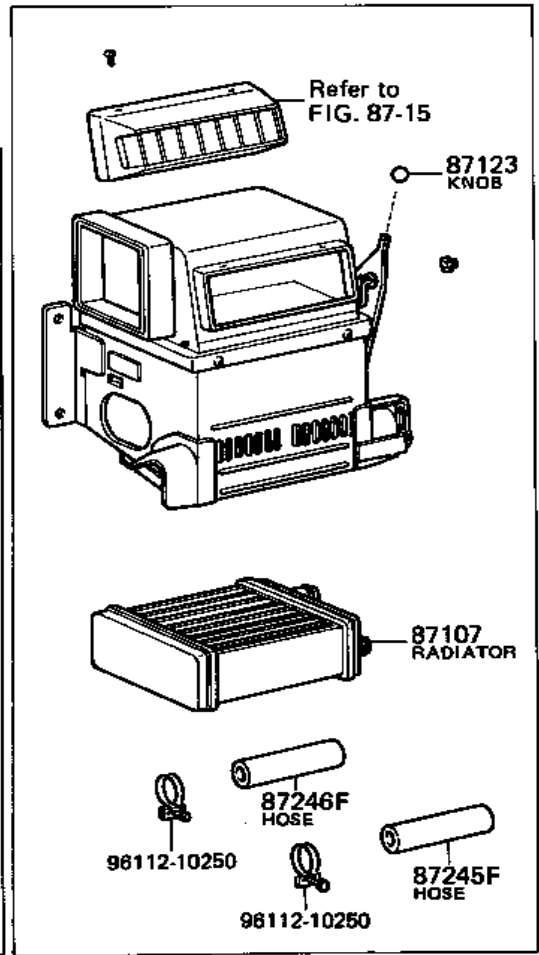
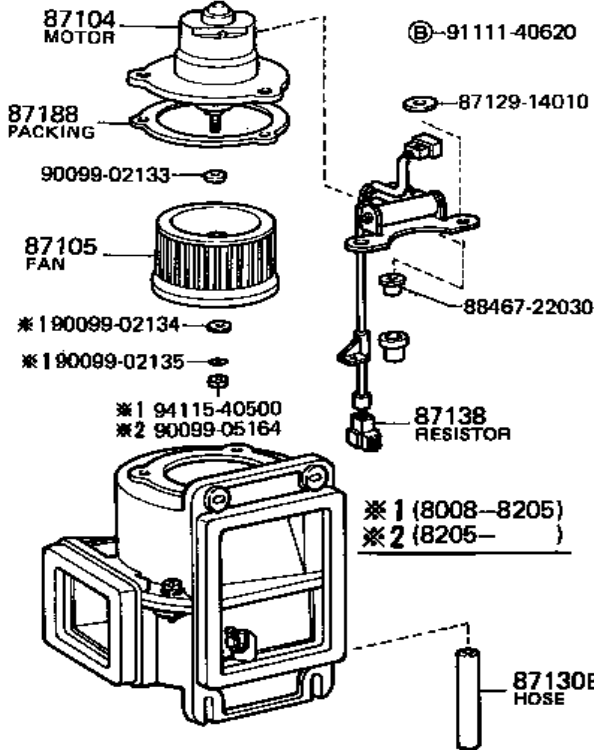
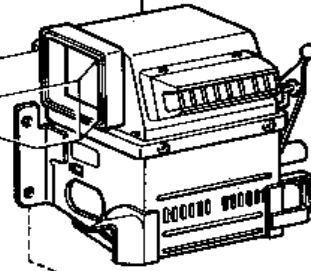


# Front Heater

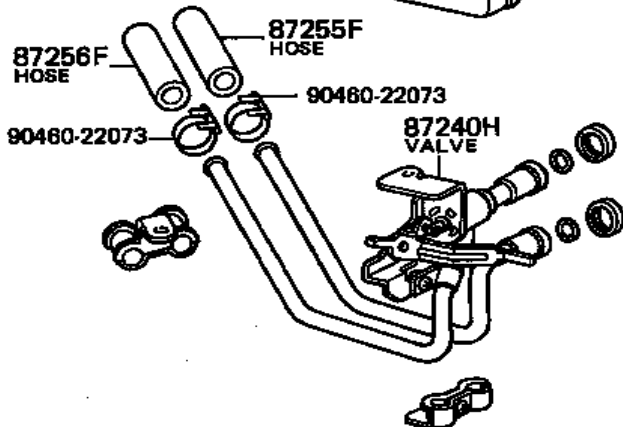
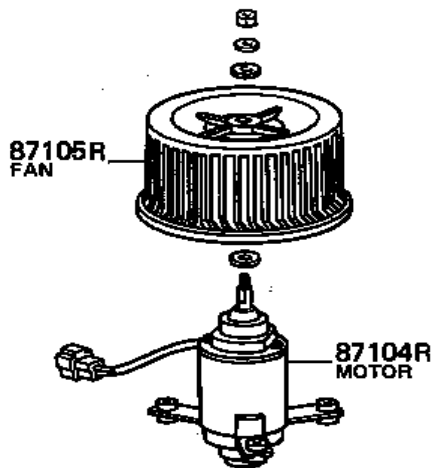
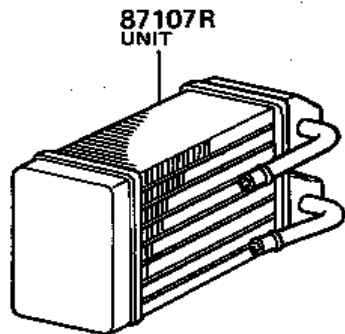
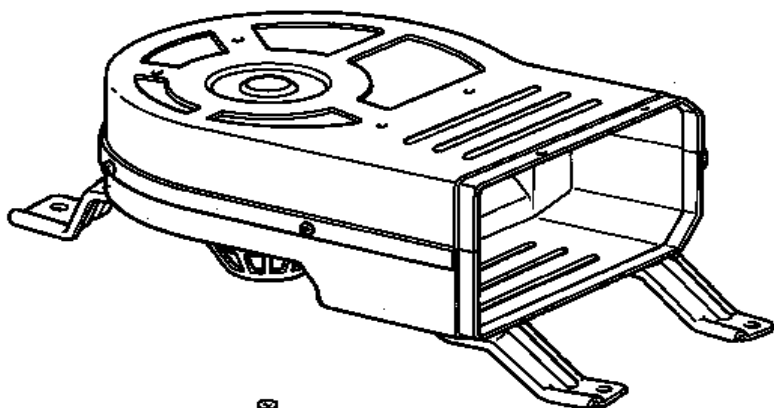
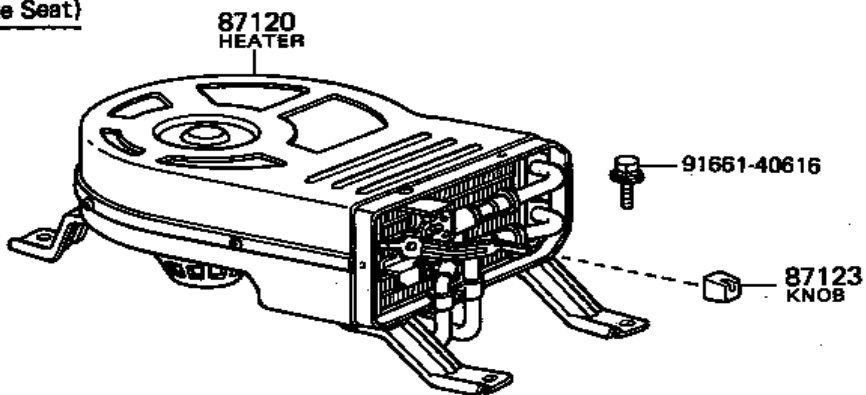
90119-08239



87150  
RADIATOR



**Rear Heater  
(Separate Seat)**

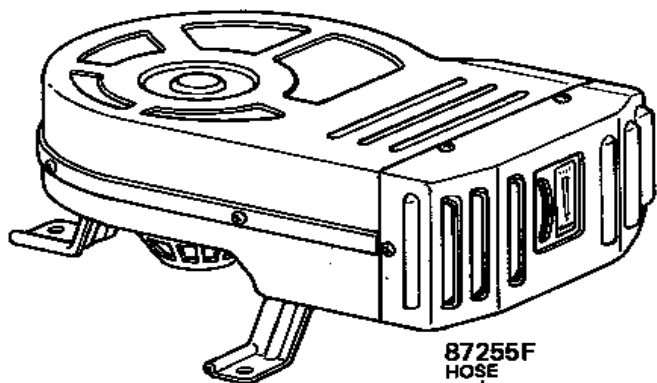
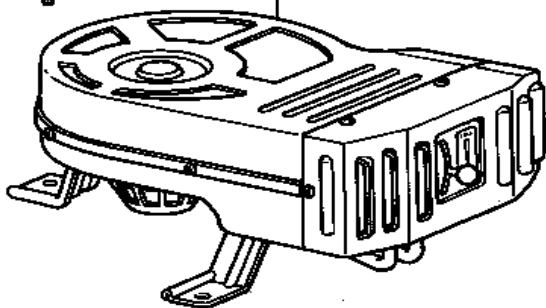


**Rear Heater  
(Bench Seat)**

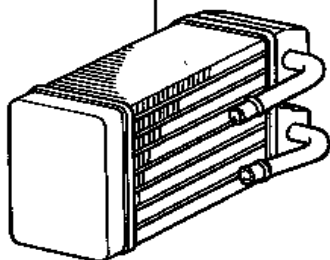
91661-40616



87120  
HEATER

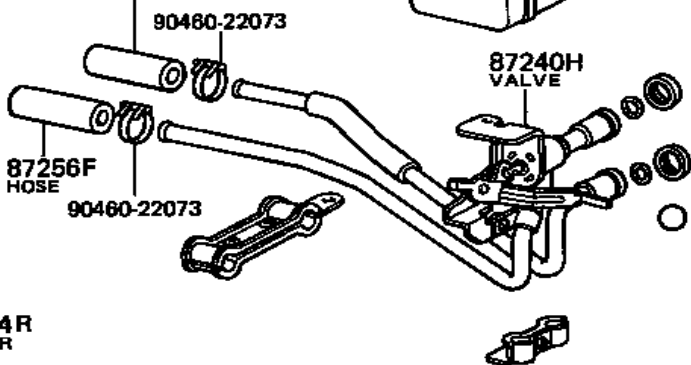


87107R  
UNIT



87255F  
HOSE

90460-22073



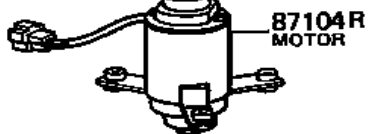
87240H  
VALVE

87105R  
FAN



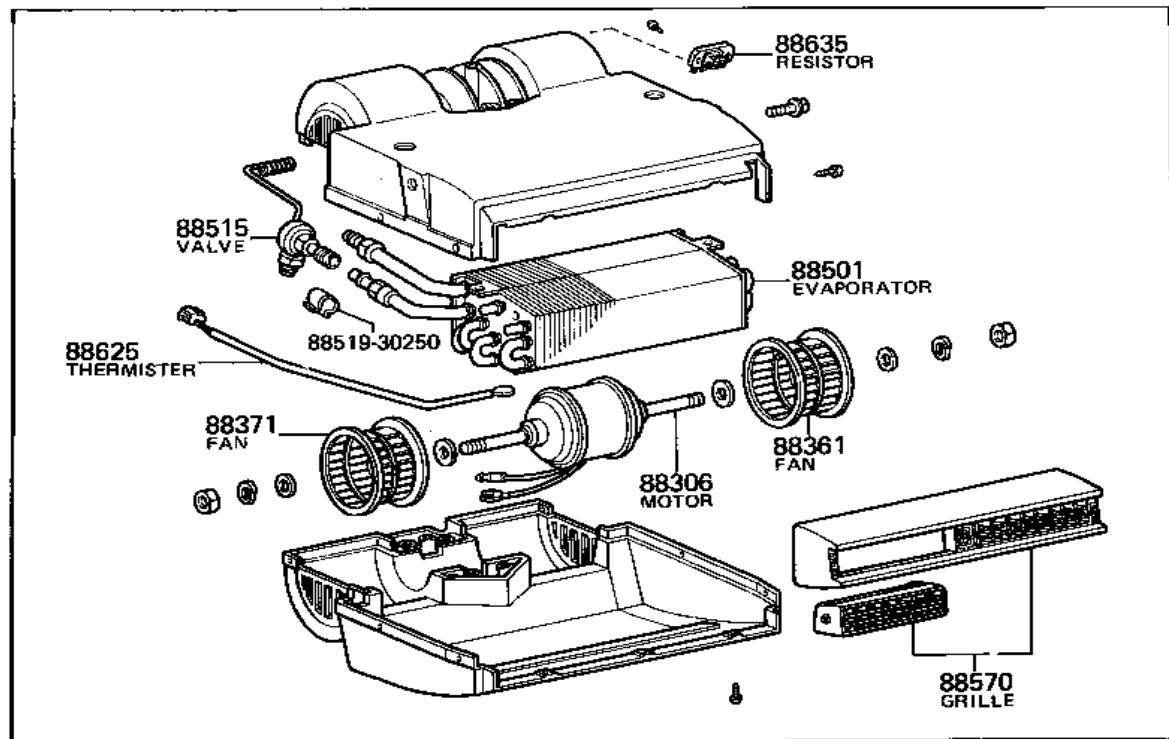
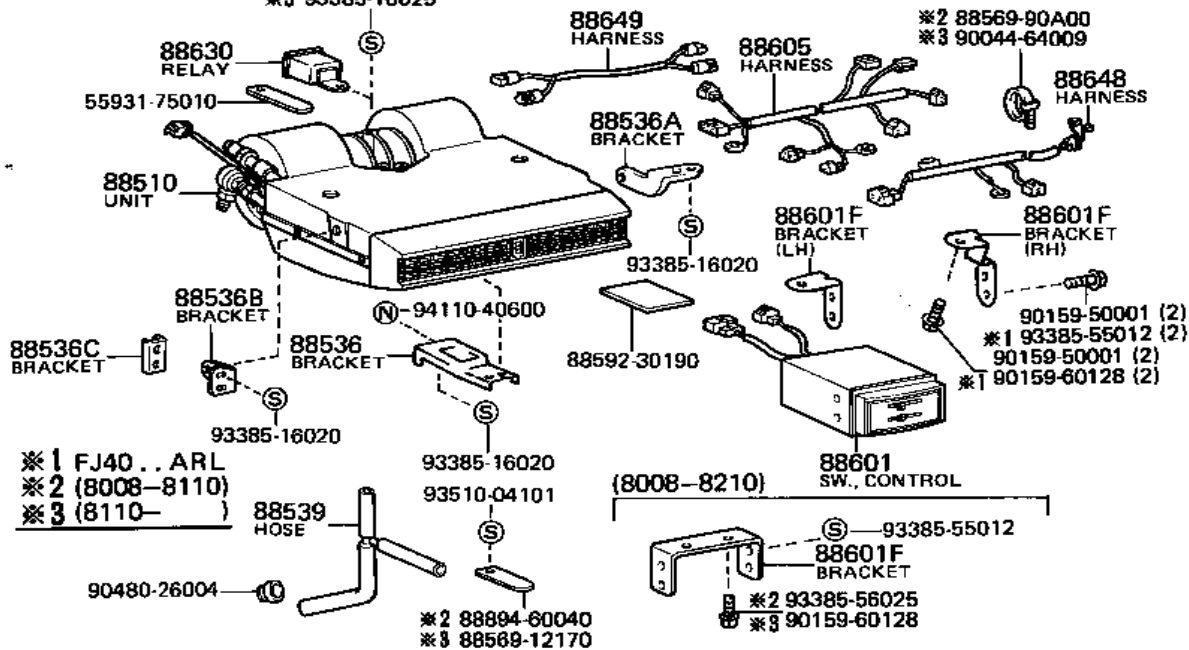
87256F  
HOSE

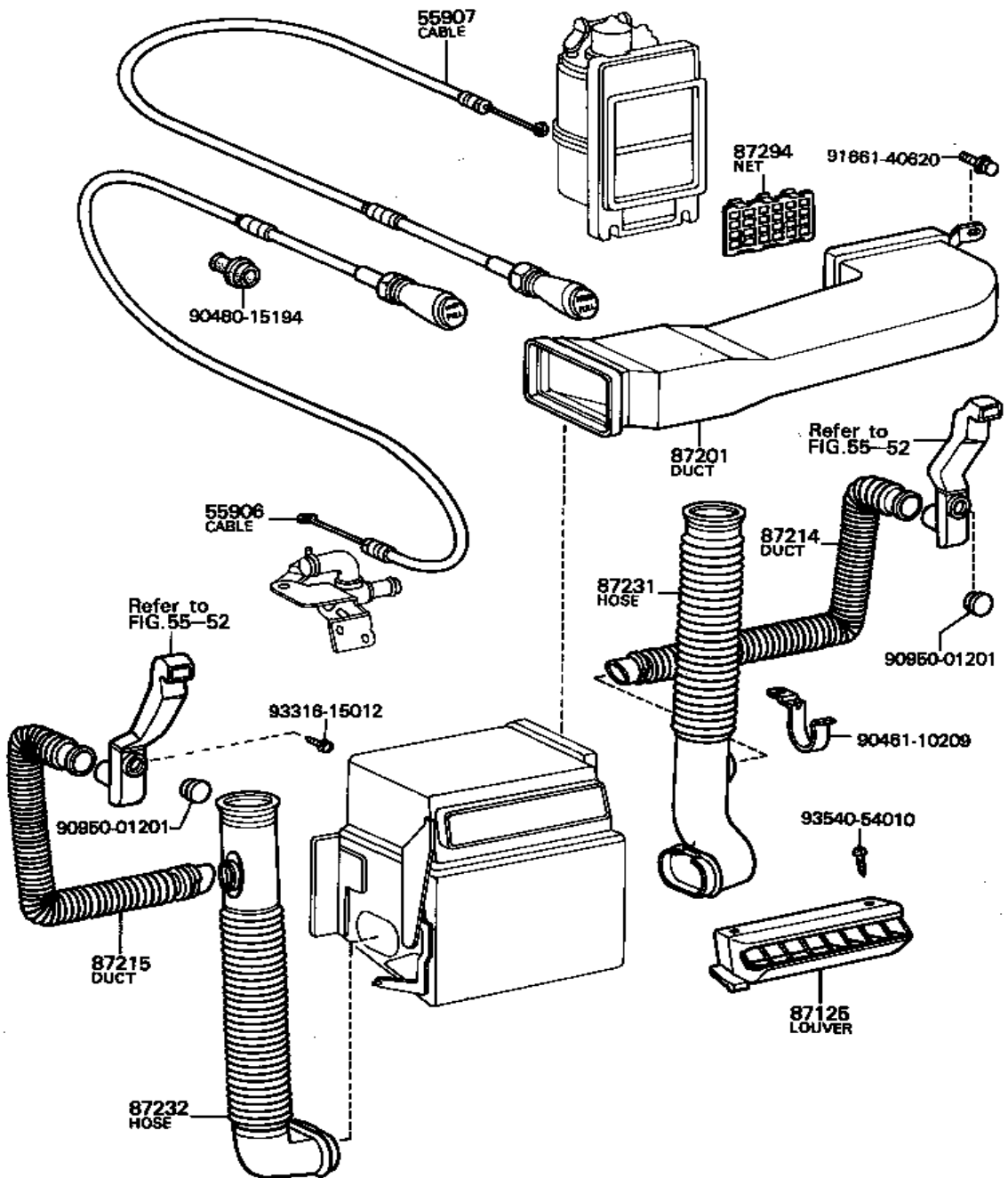
90460-22073

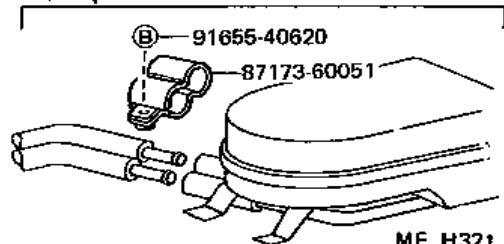
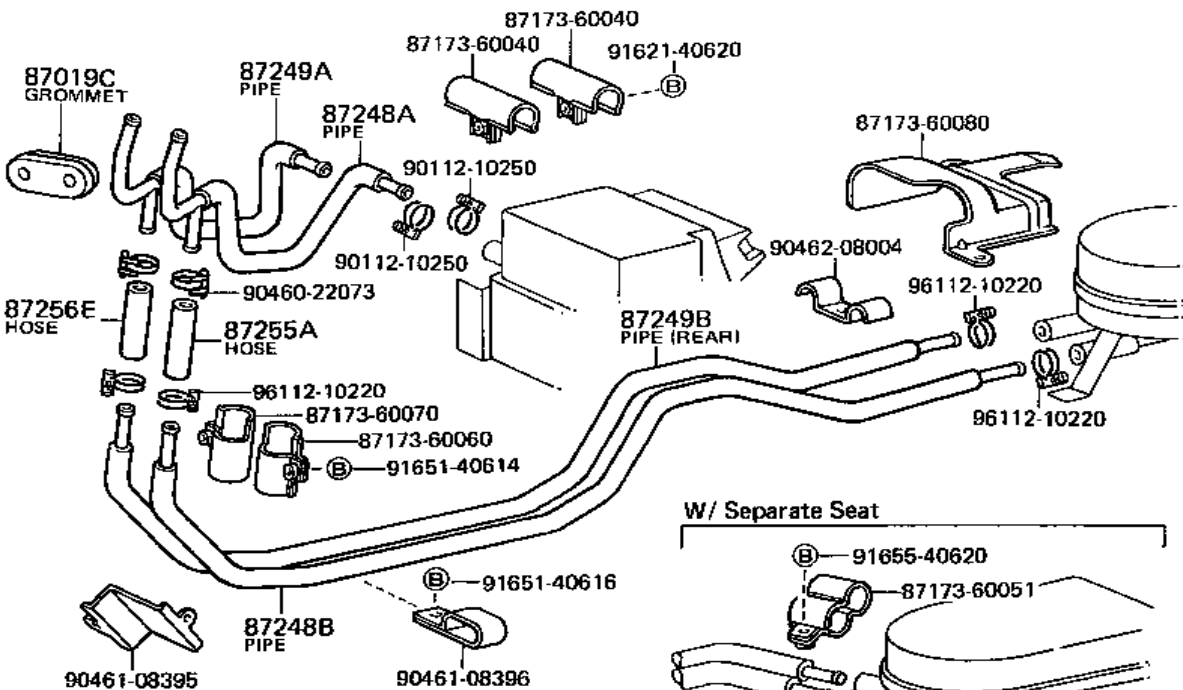
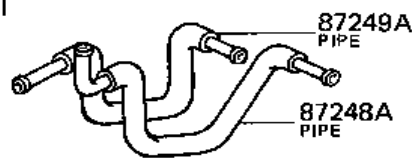
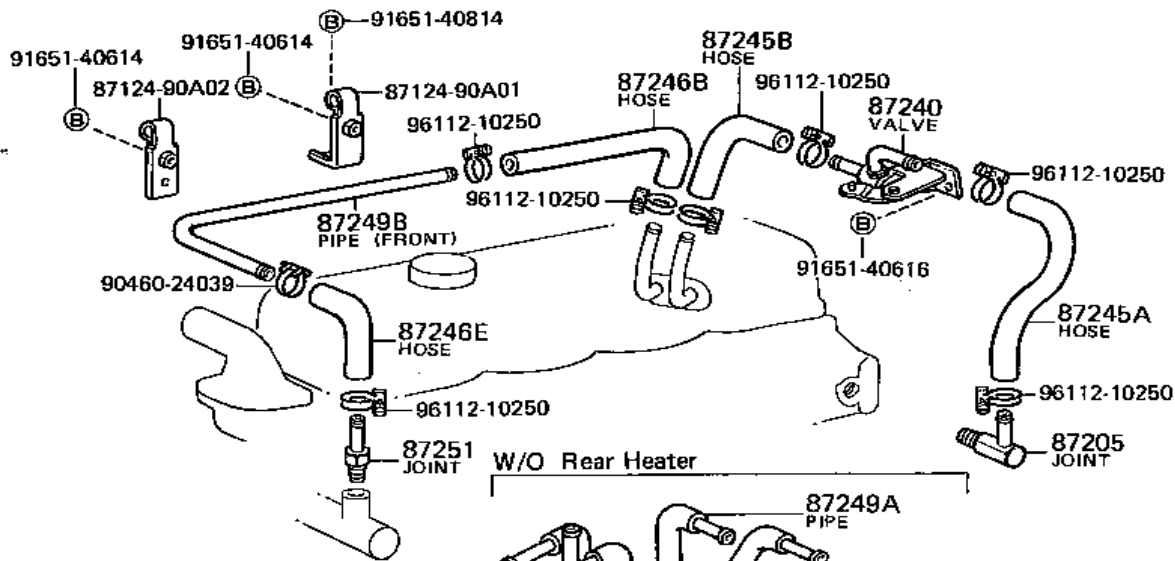


87104R  
MOTOR

- \*1 93385-18014
- \*2 93385-10616
- \*3 93385-16025

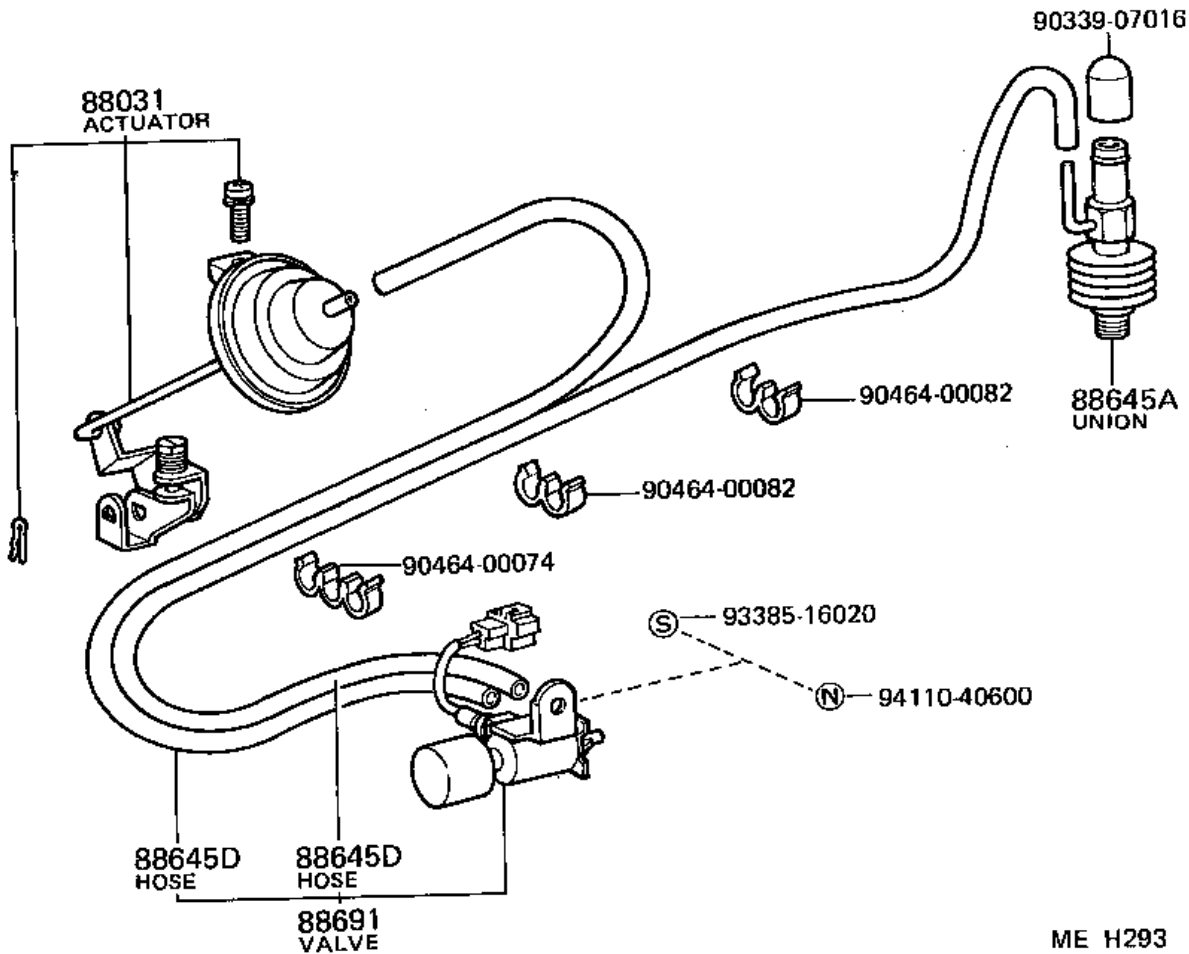


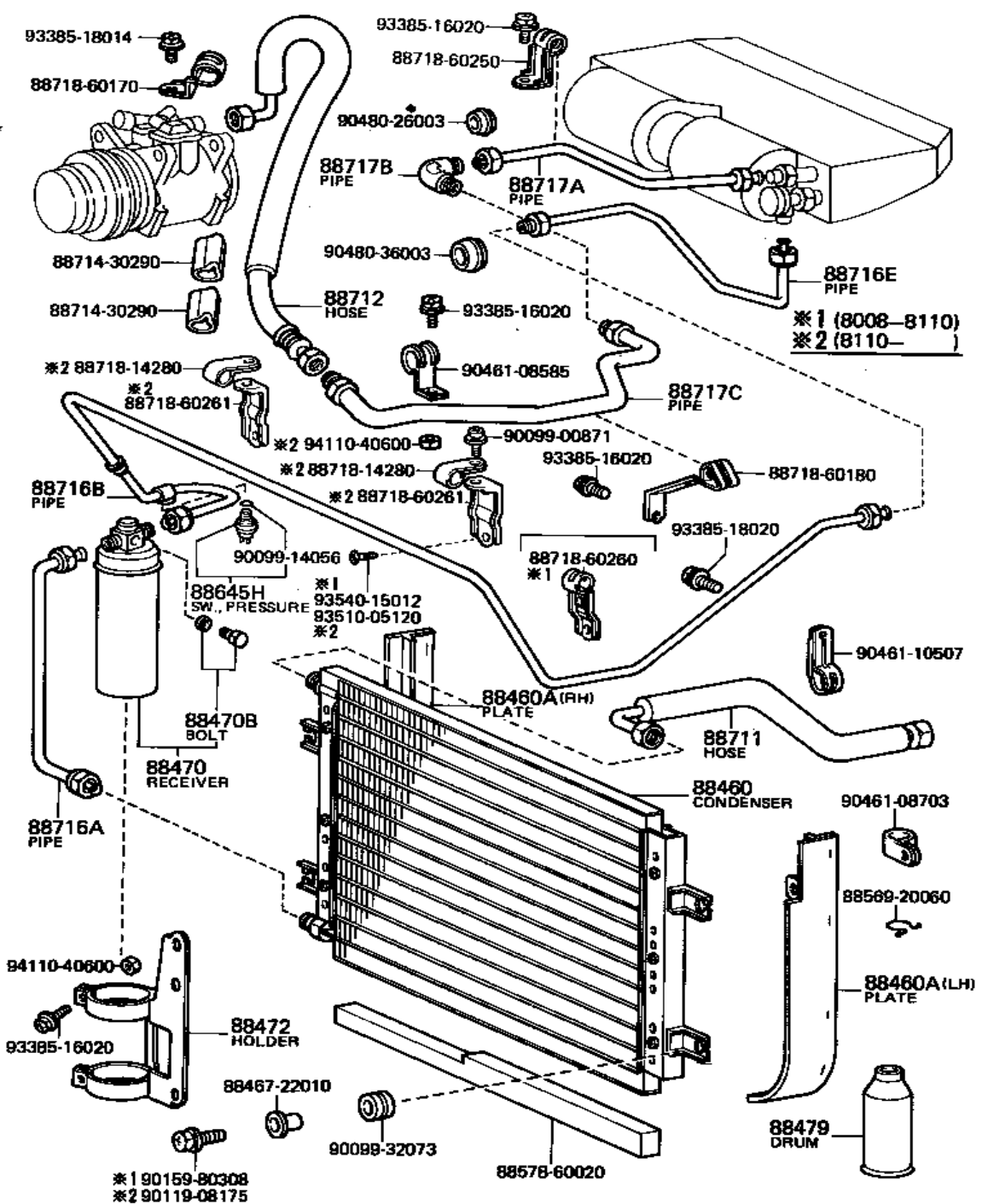


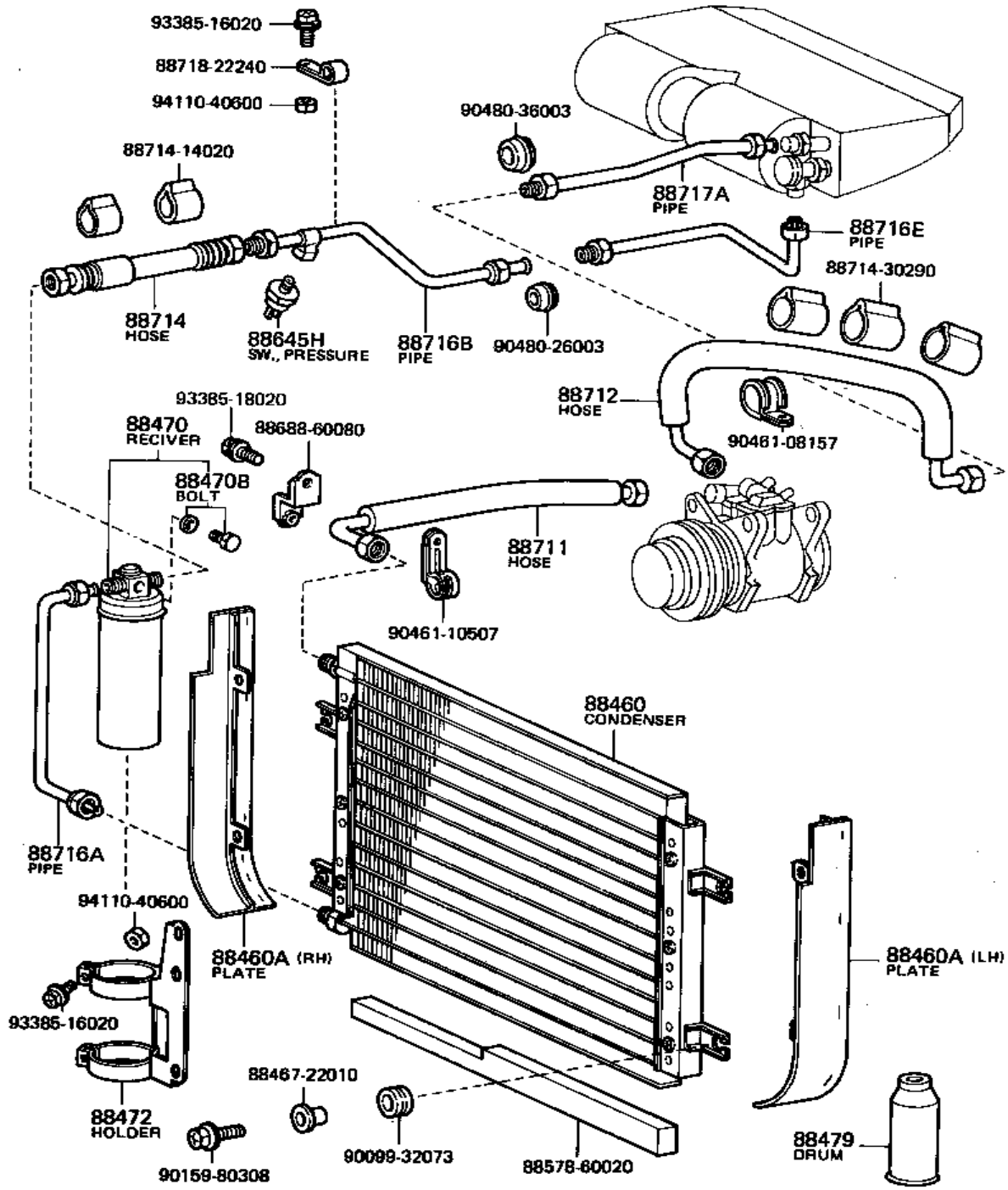


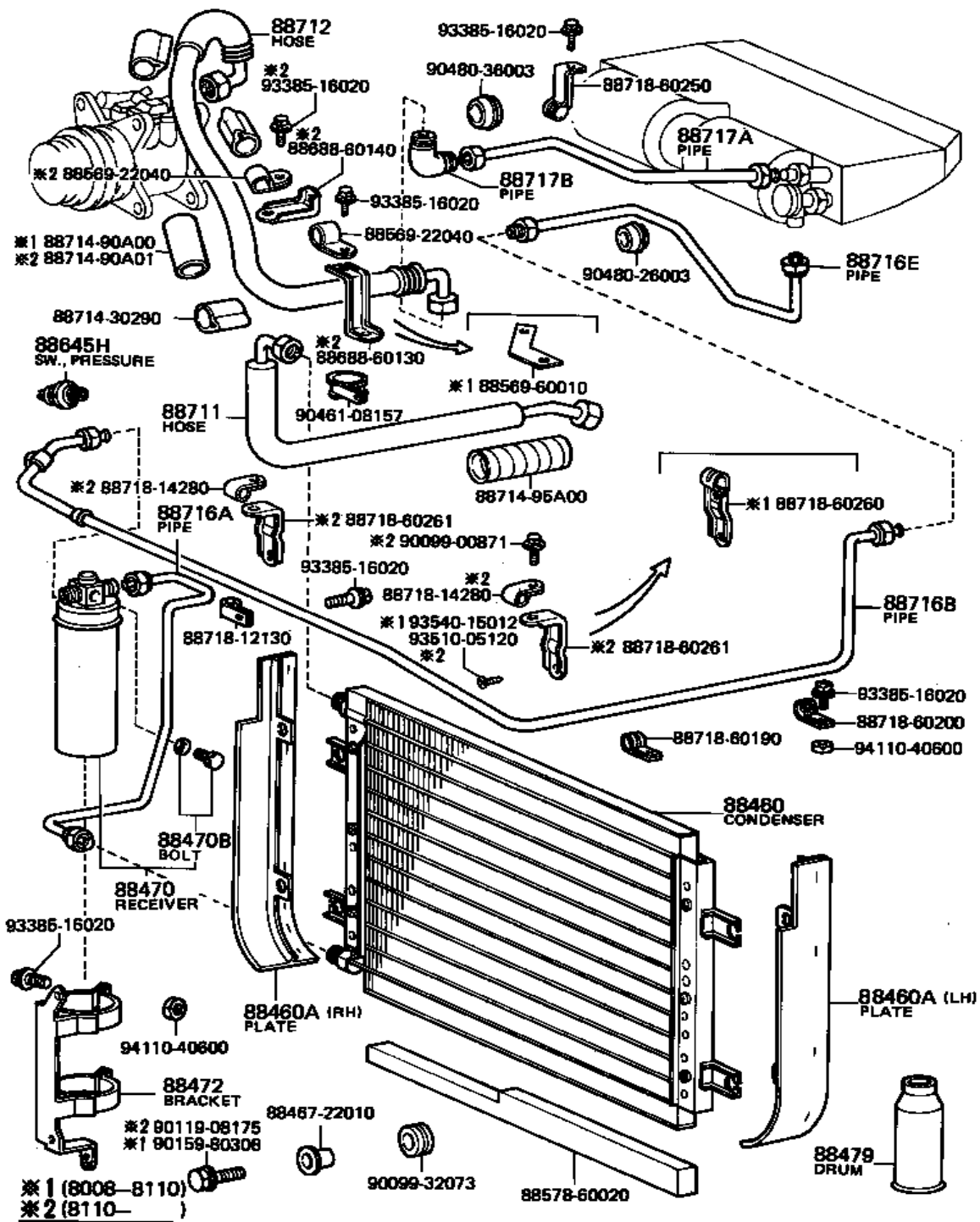
ME H321

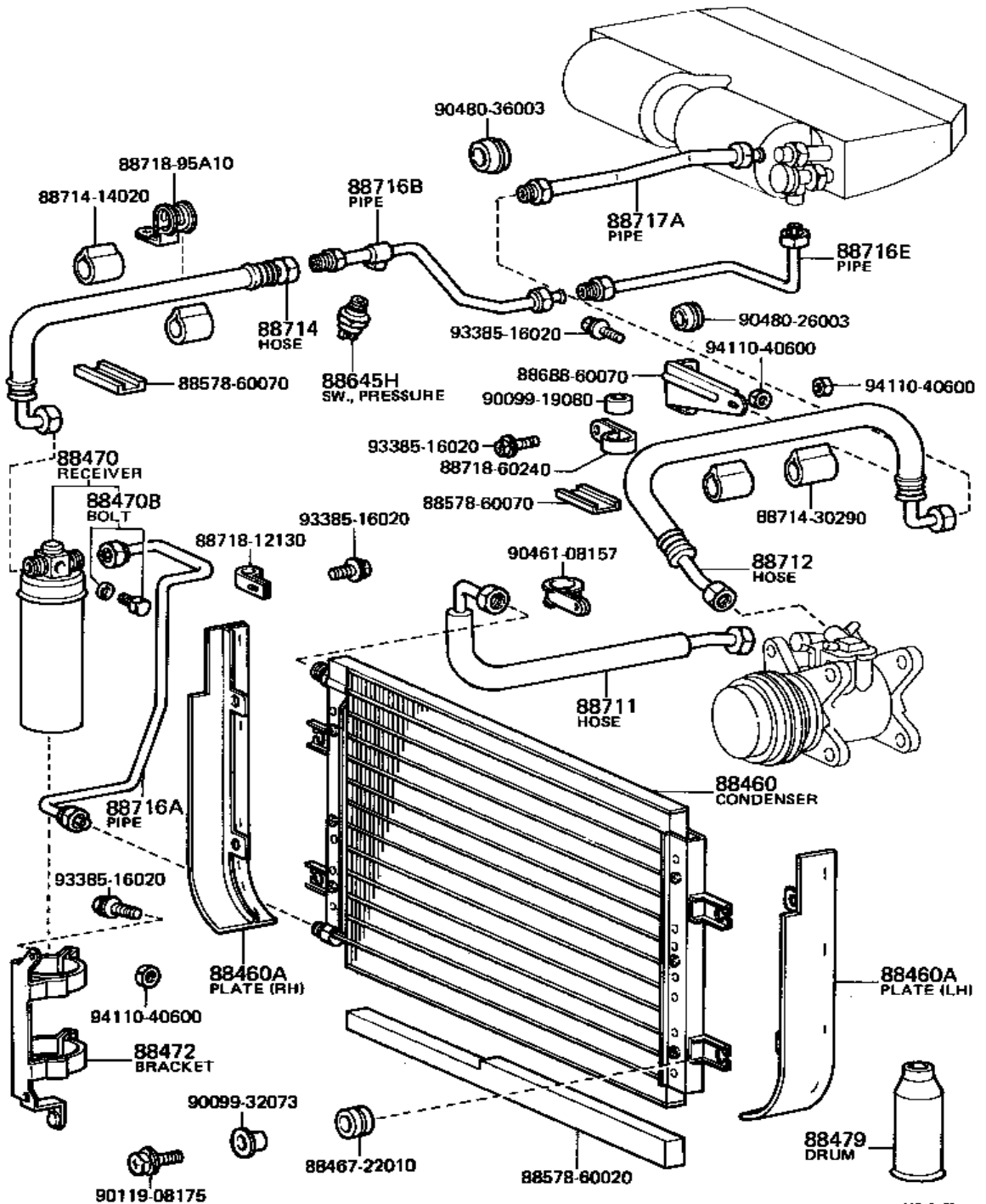


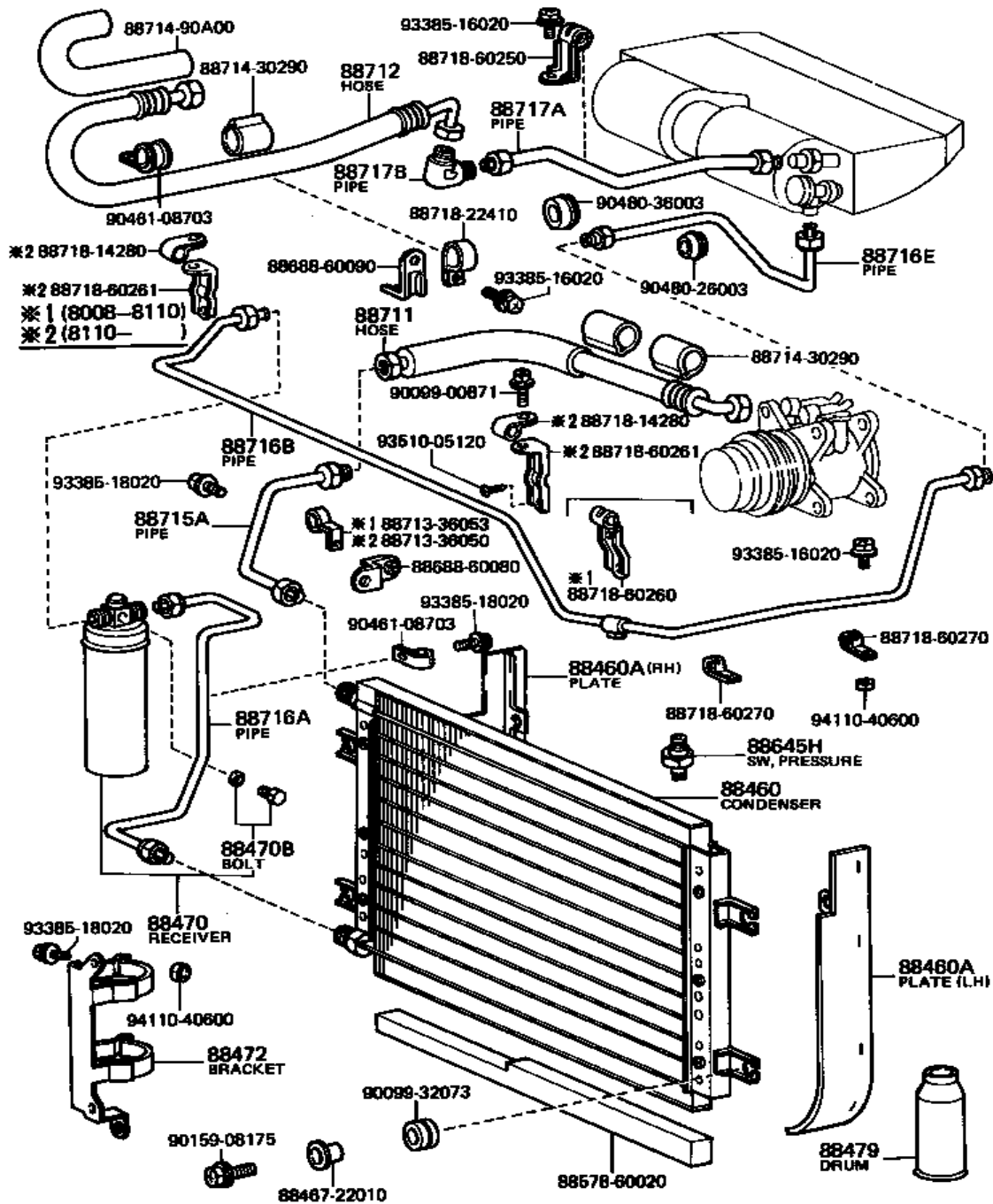


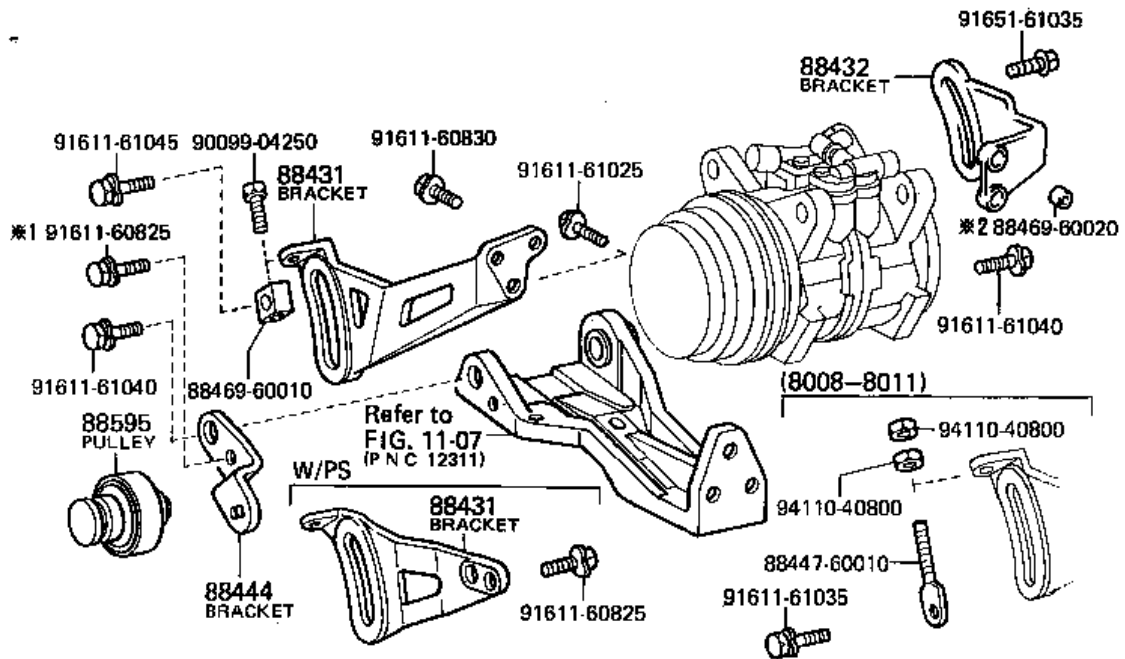








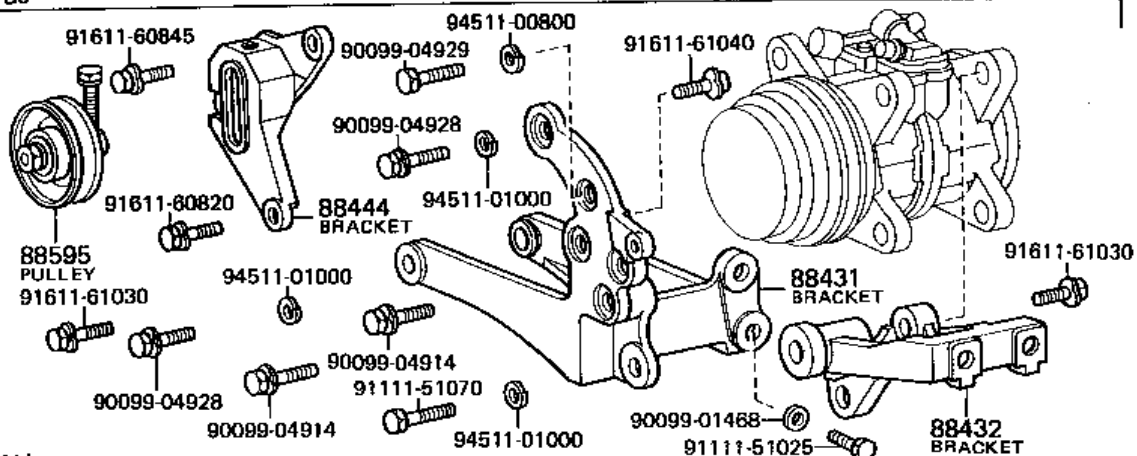




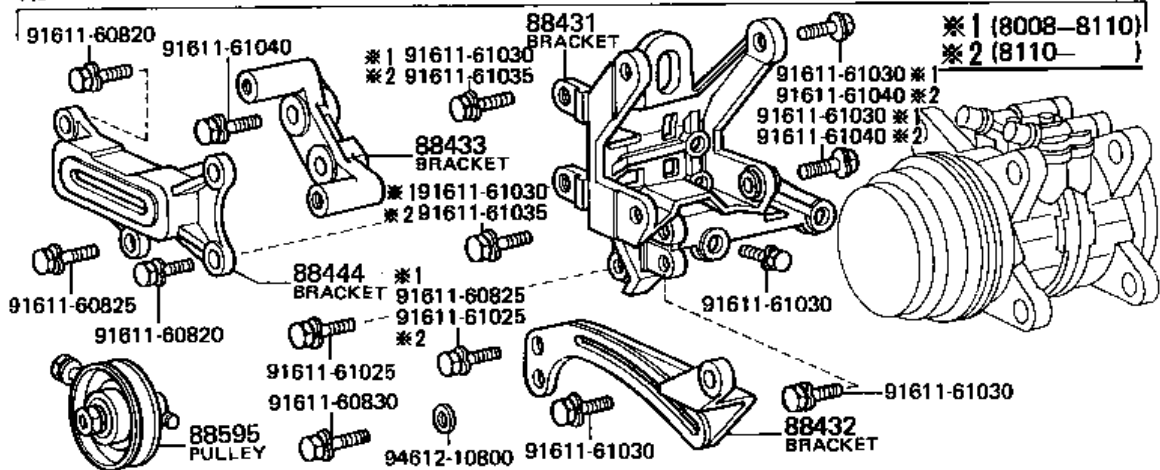
\*1 RHD  
\*2 W/PS

ME C286-B

BJ



HJ



ME A546-C



