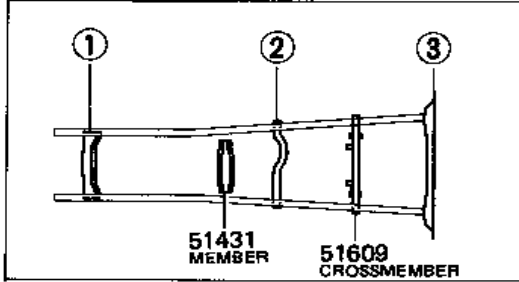
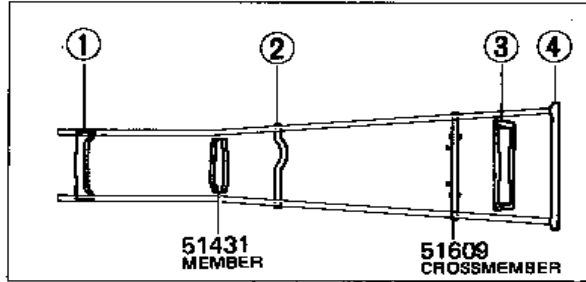


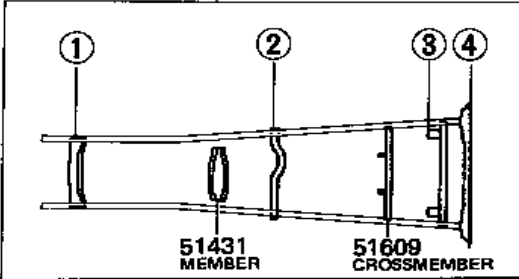
BJ40, 42, FJ40



BJ45, HJ47, FJ45

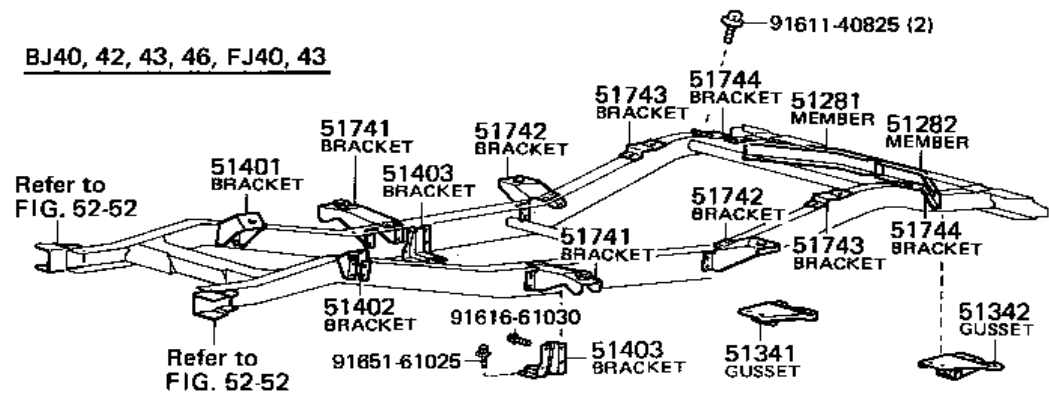


BJ43, 46, FJ43

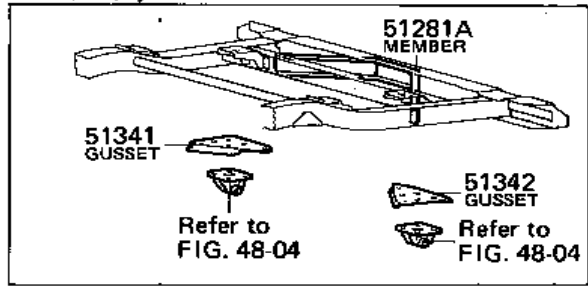


	PART NAME CODE & PART NAME		PART NAME CODE & PART NAME		PART NAME CODE & PART NAME
①	51202 CROSSMEMBER (No. 1)	②	51203 CROSSMEMBER (No. 2)	③	51204 CROSSMEMBER (No. 3)
④	51205 CROSSMEMBER (No.4)				

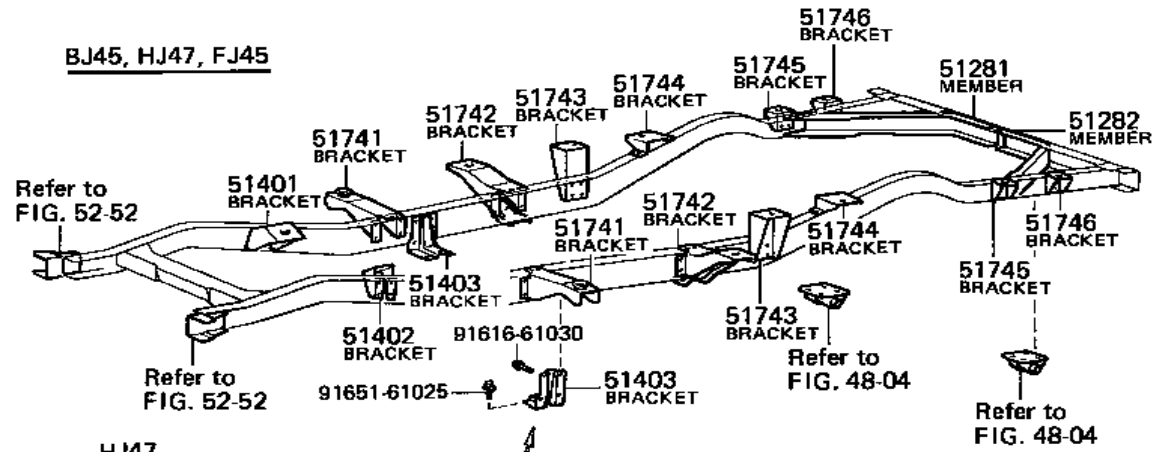
BJ40, 42, 43, 46, FJ40, 43



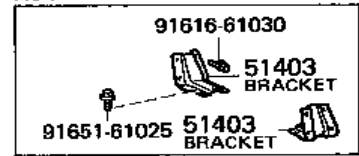
BJ43, 46, FJ43

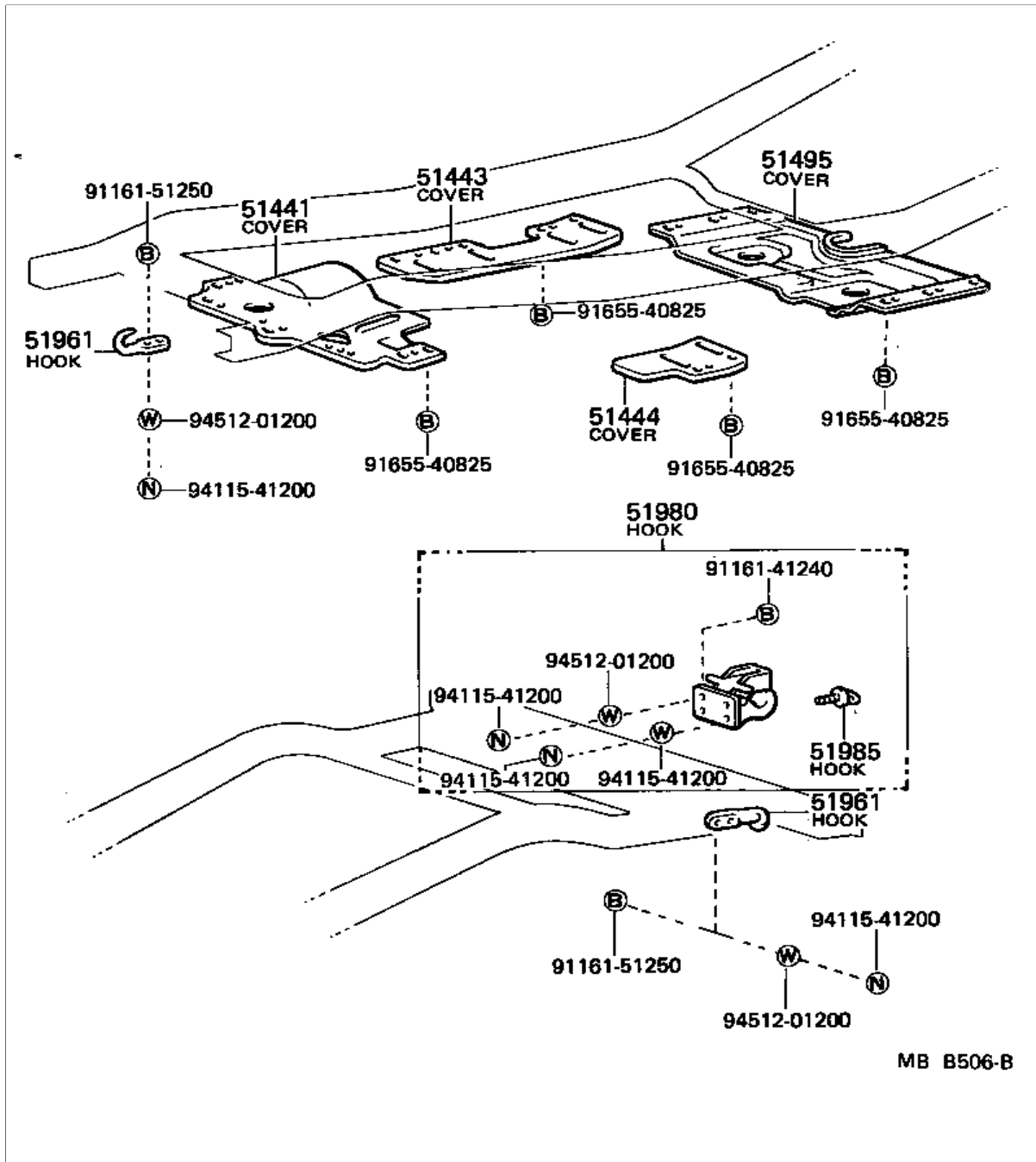


BJ45, HJ47, FJ45

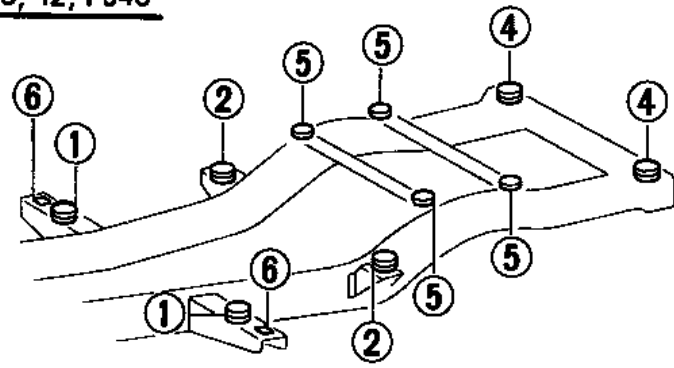


HJ47

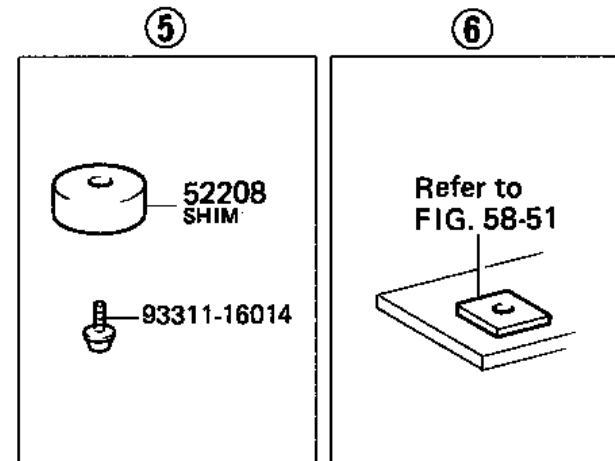
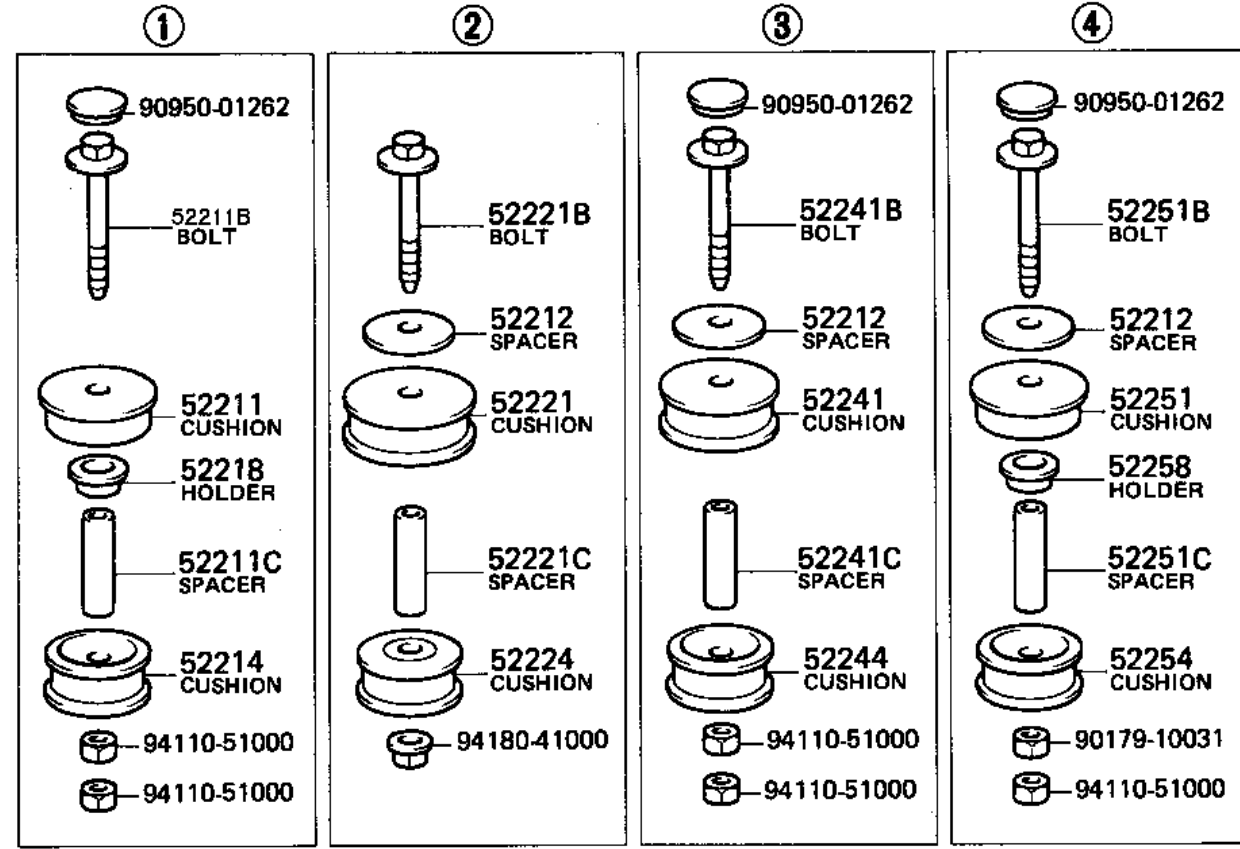
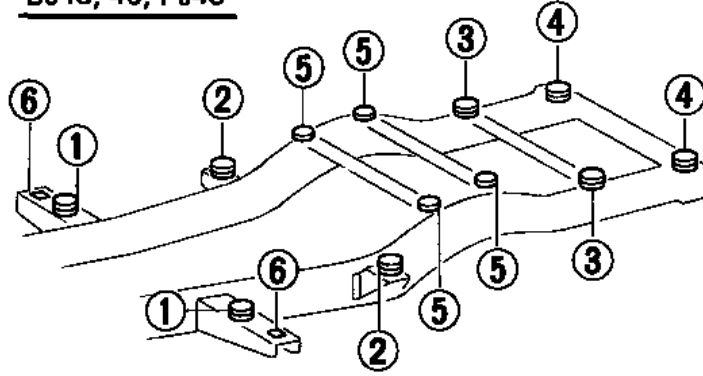


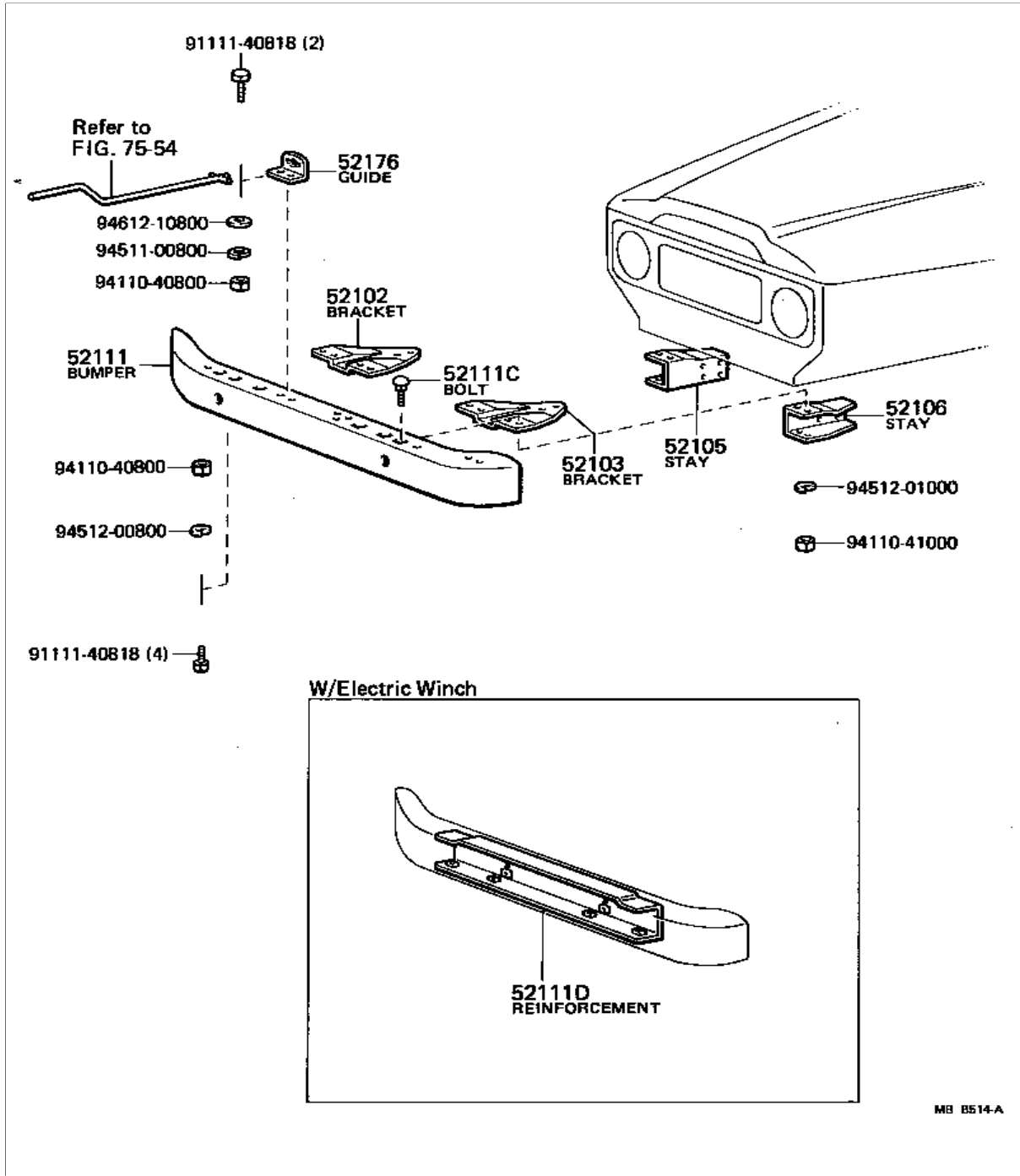


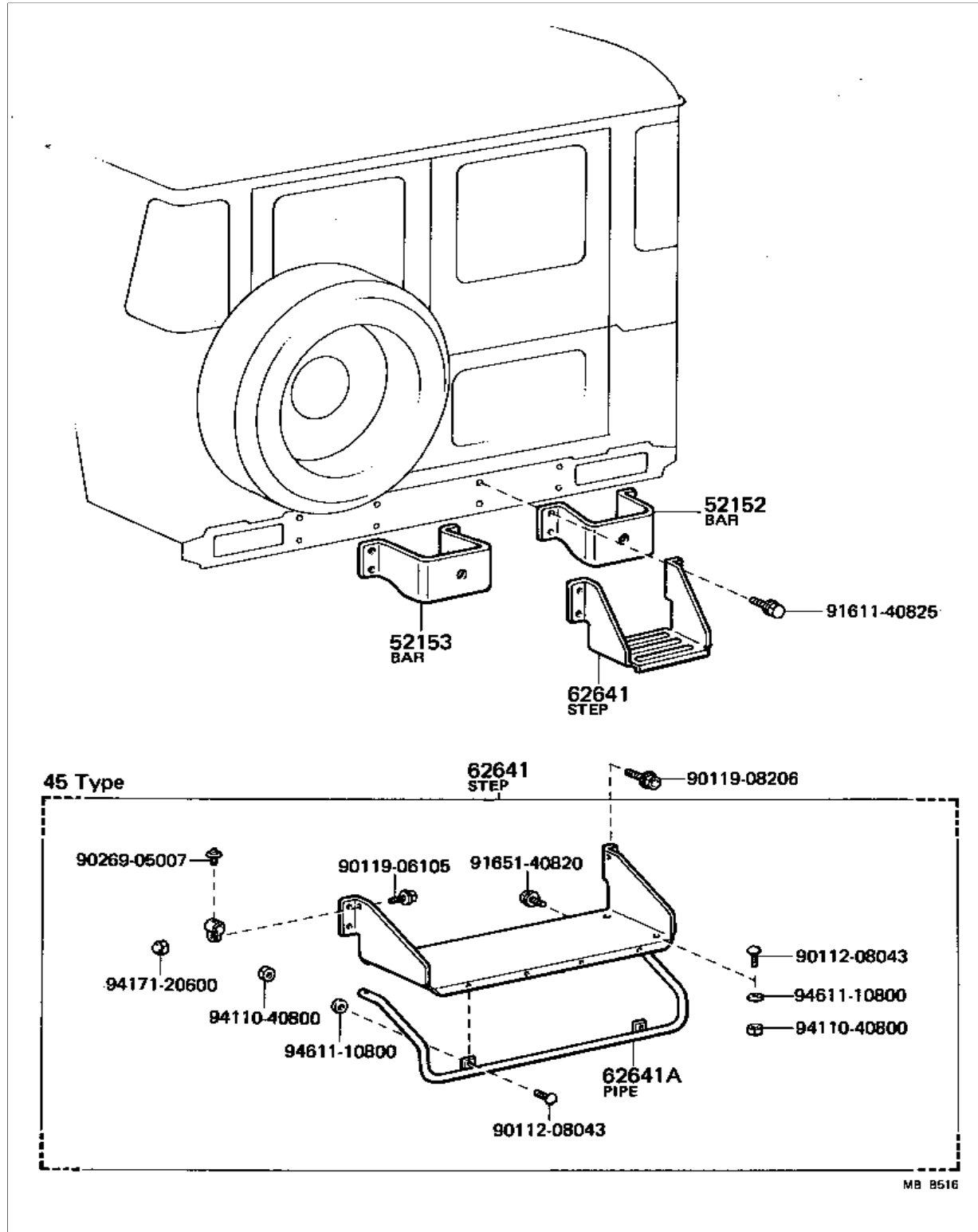
BJ40, 42, FJ40

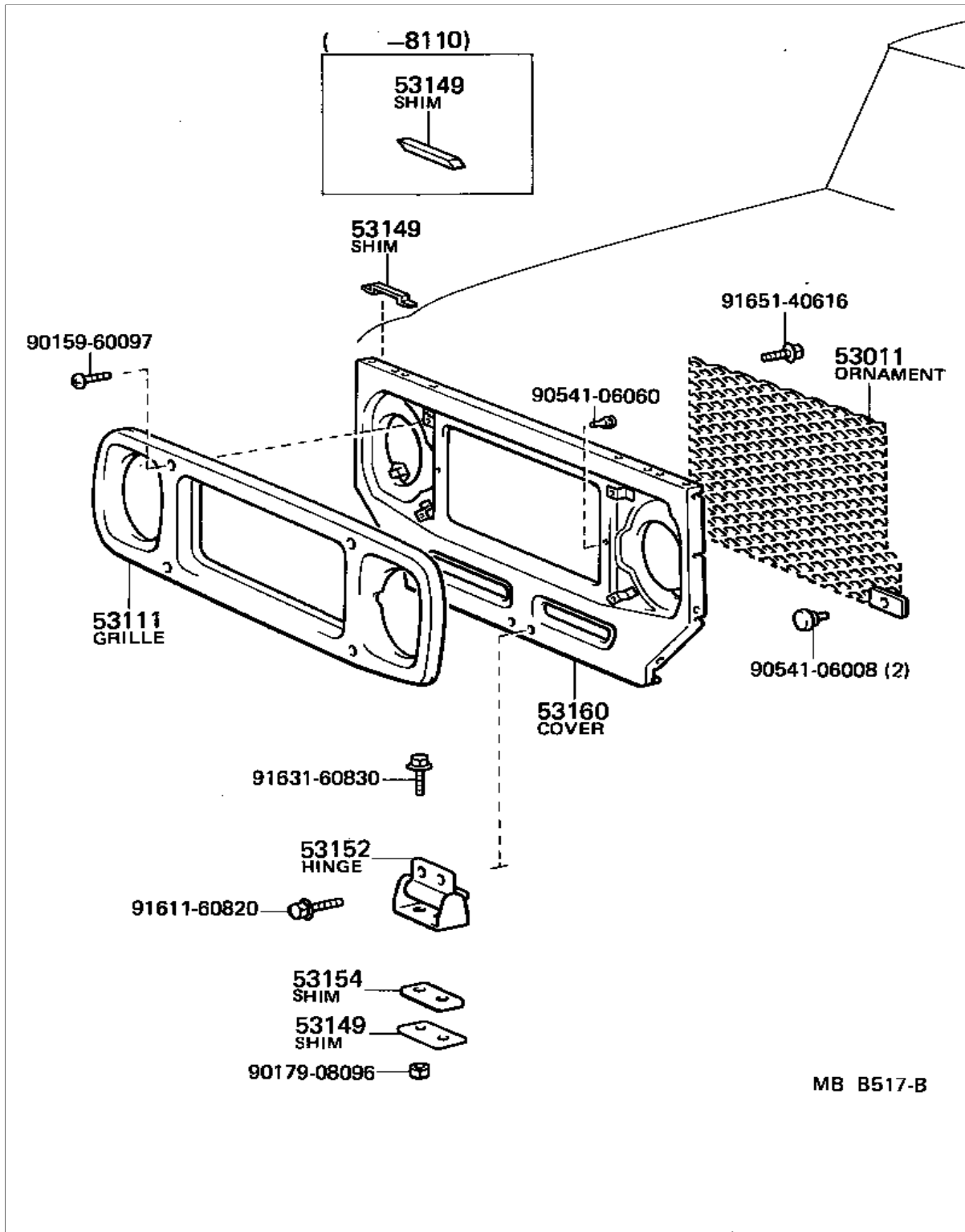


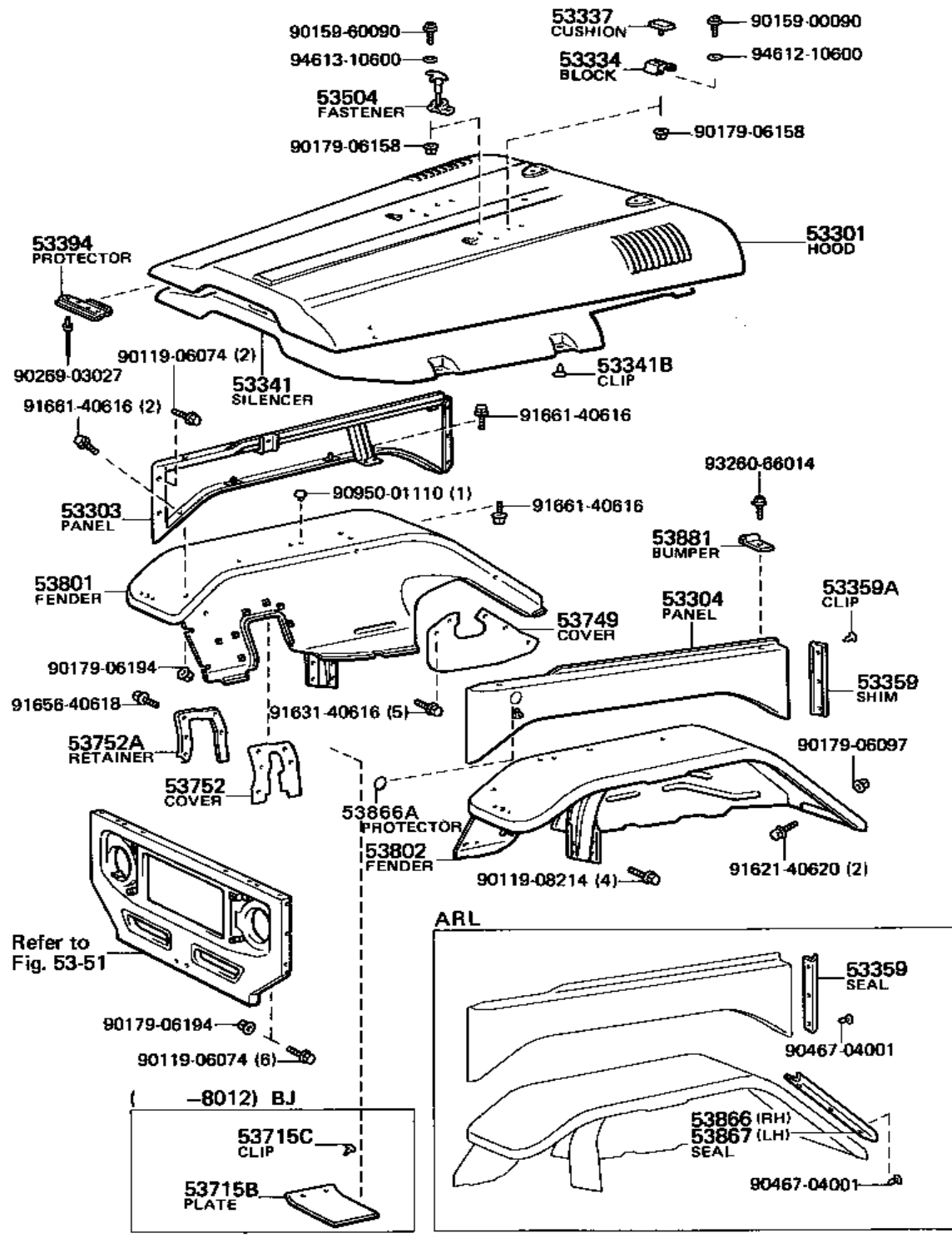
BJ43, 46, FJ43

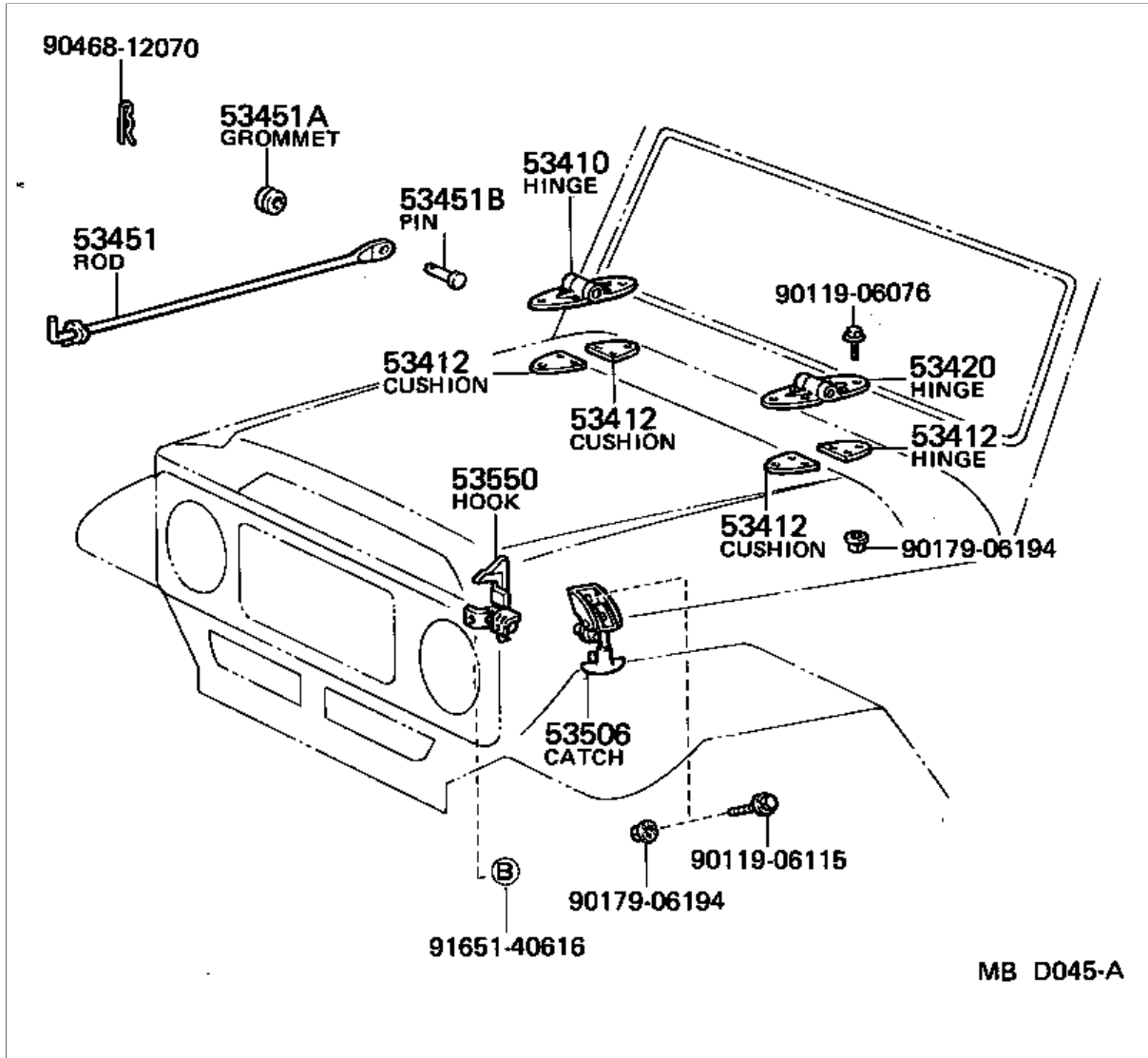


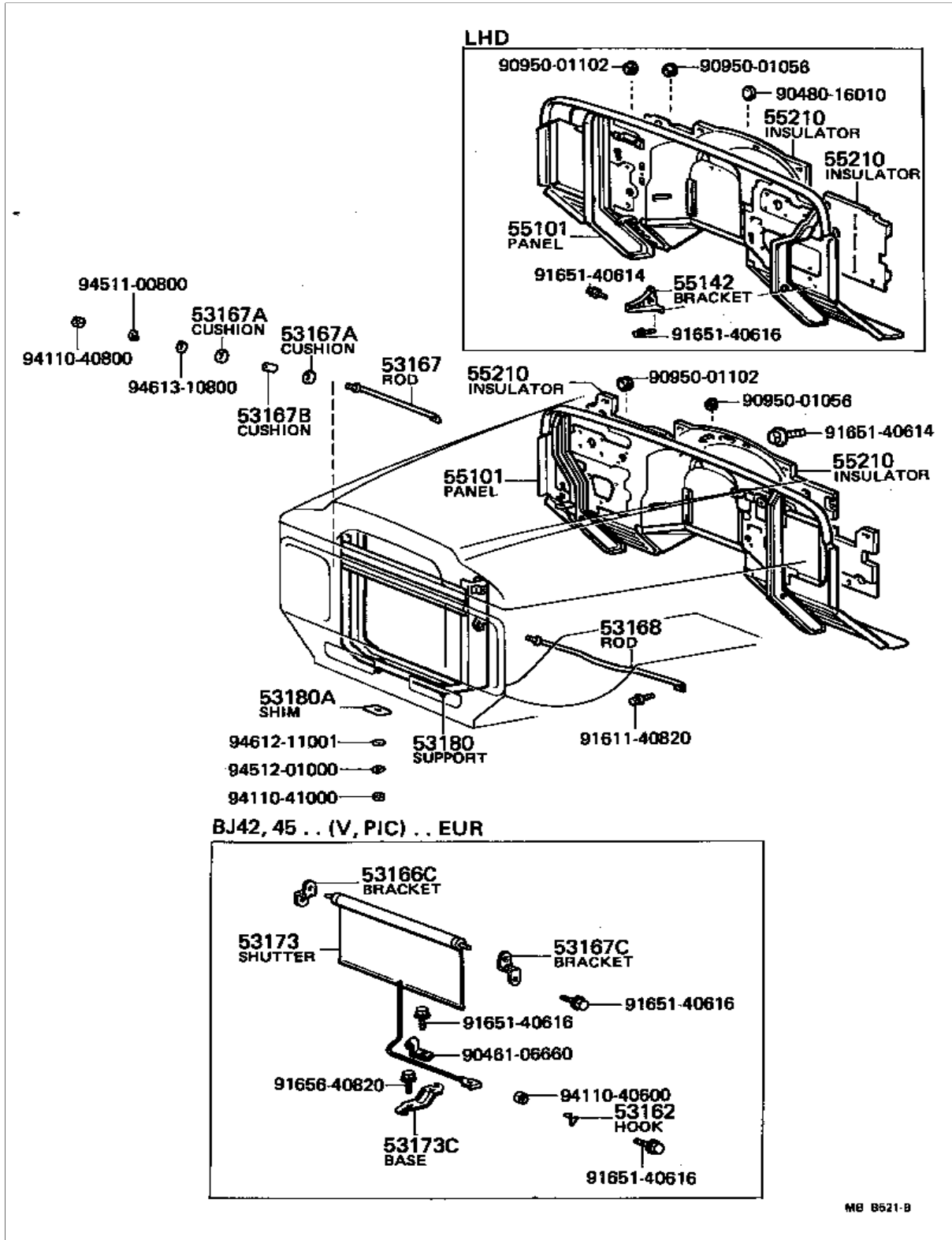


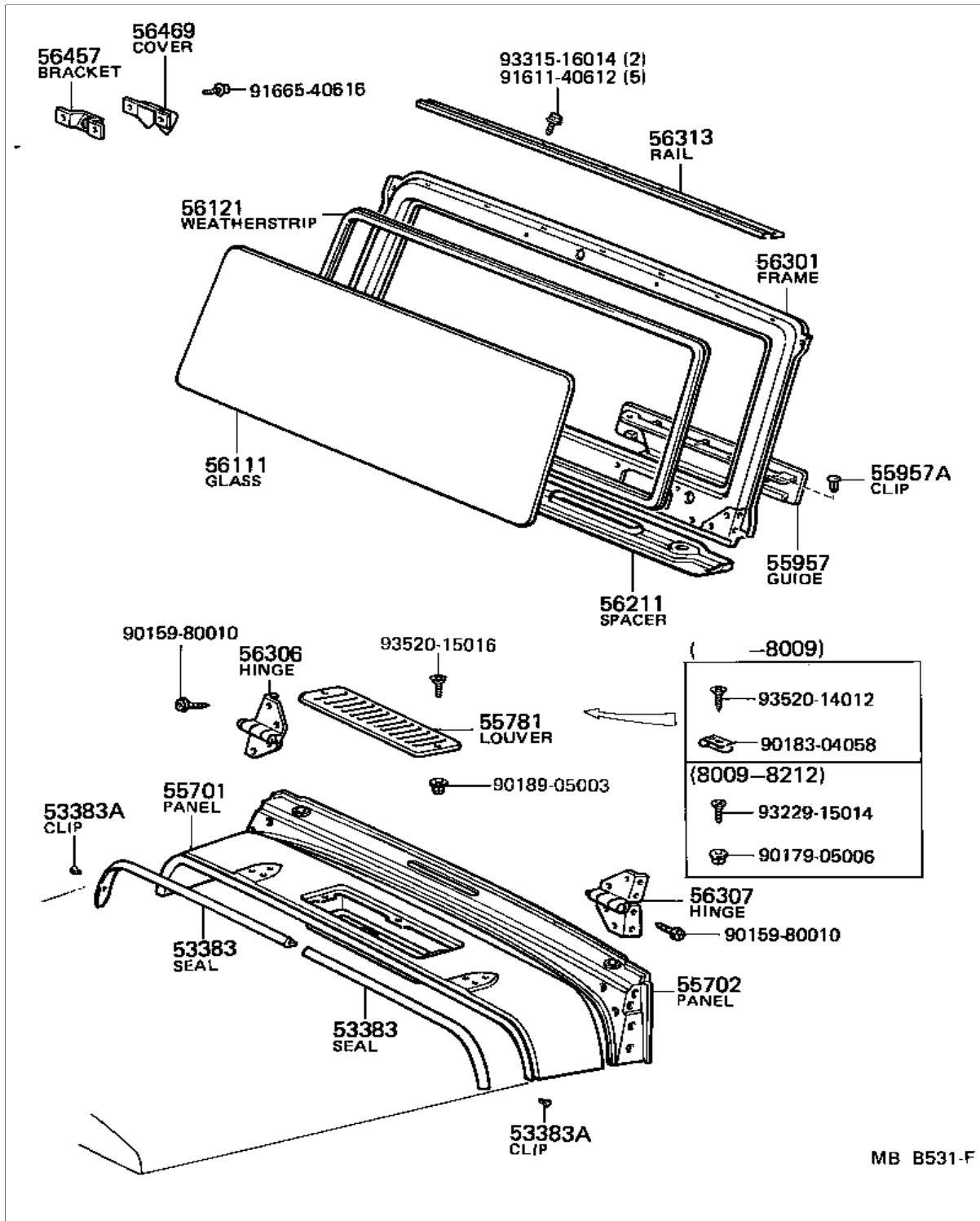


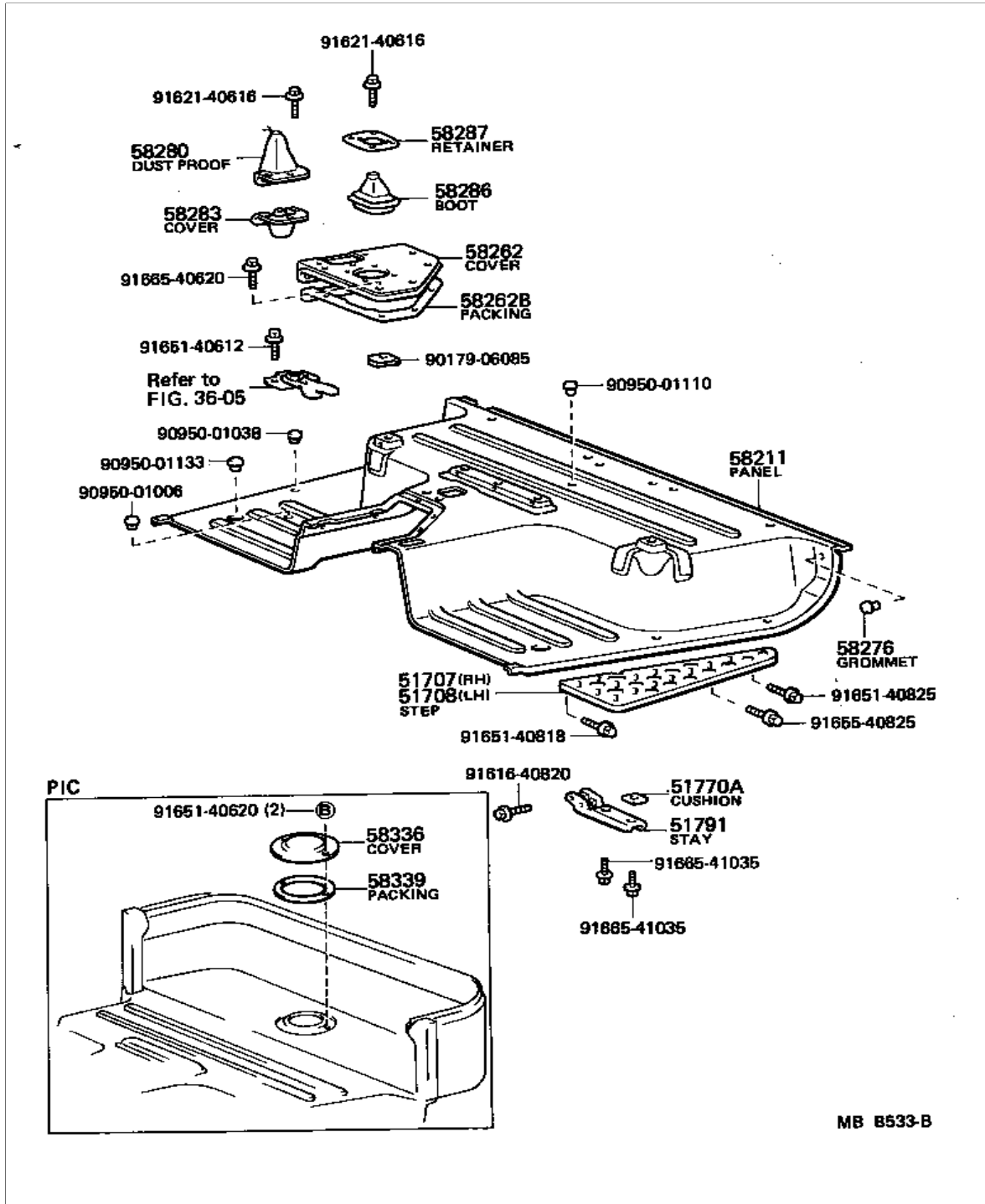


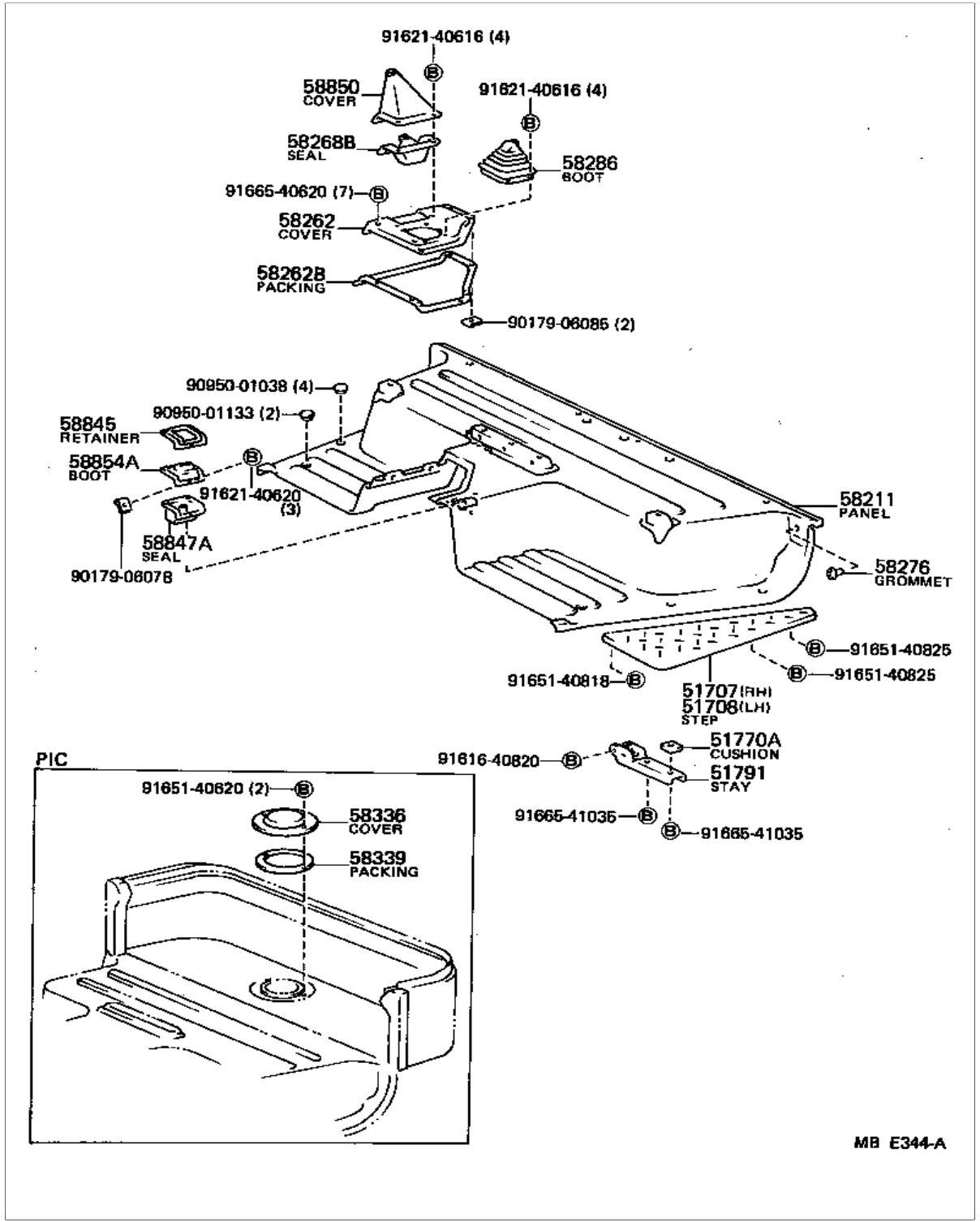


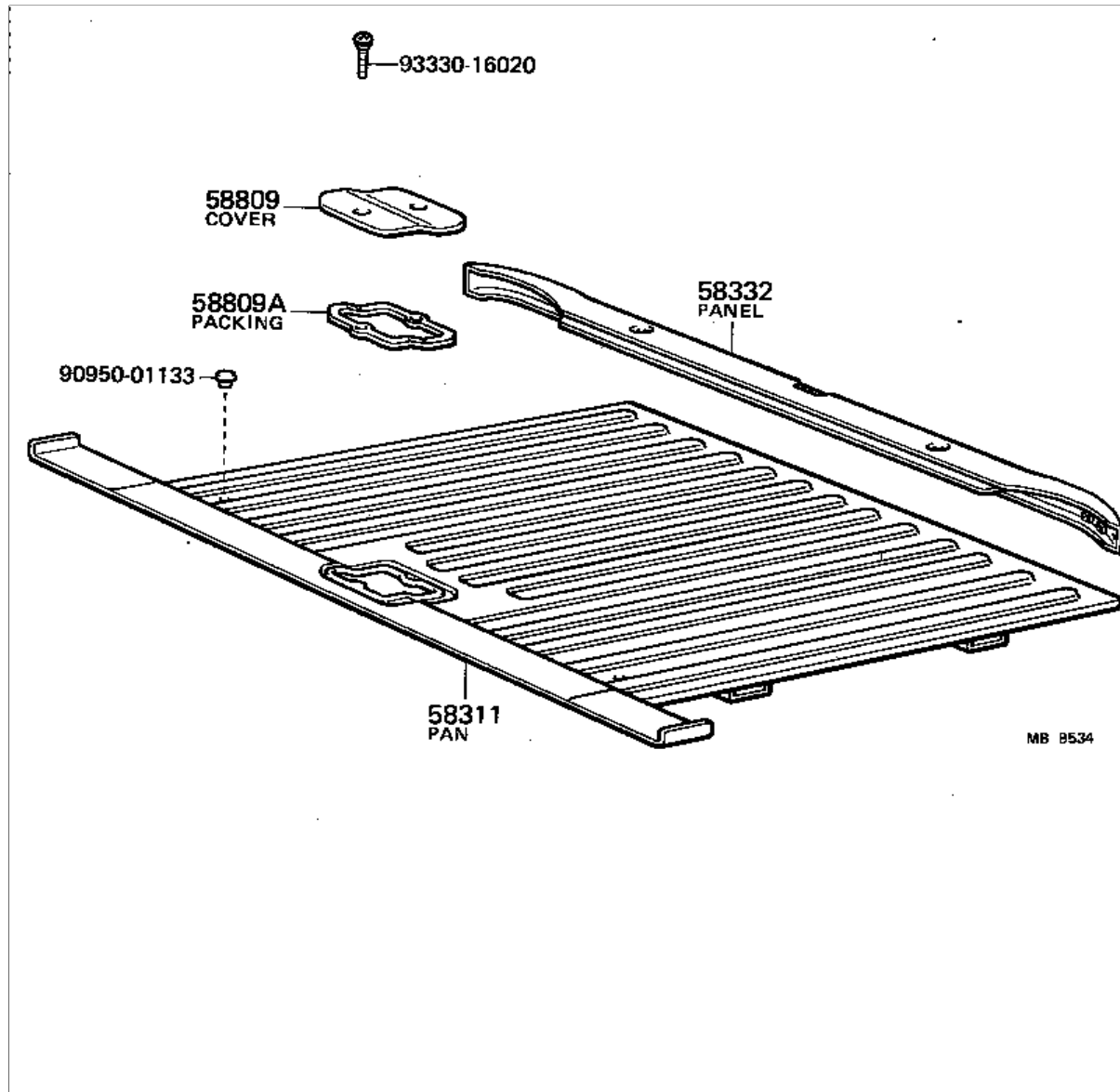


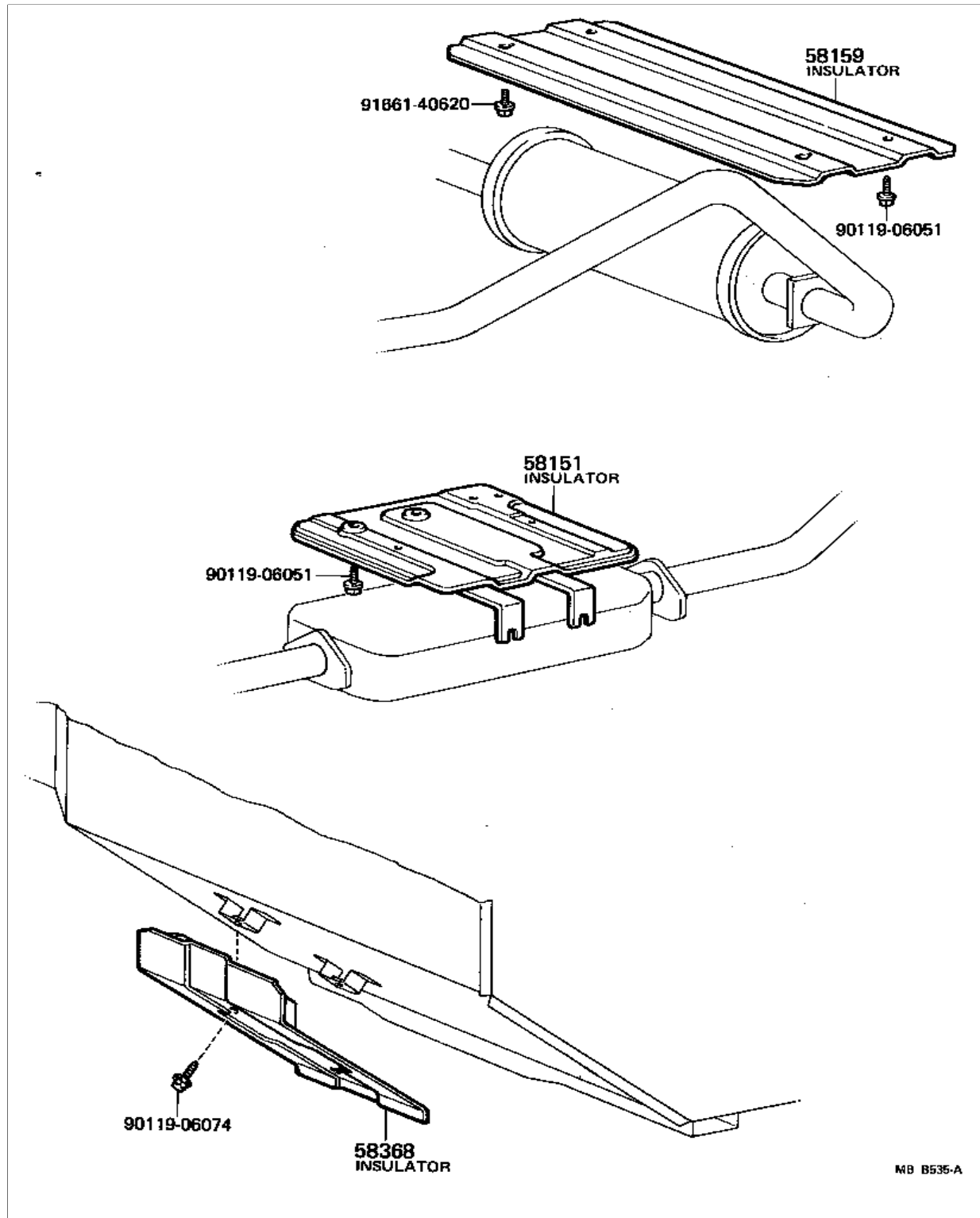




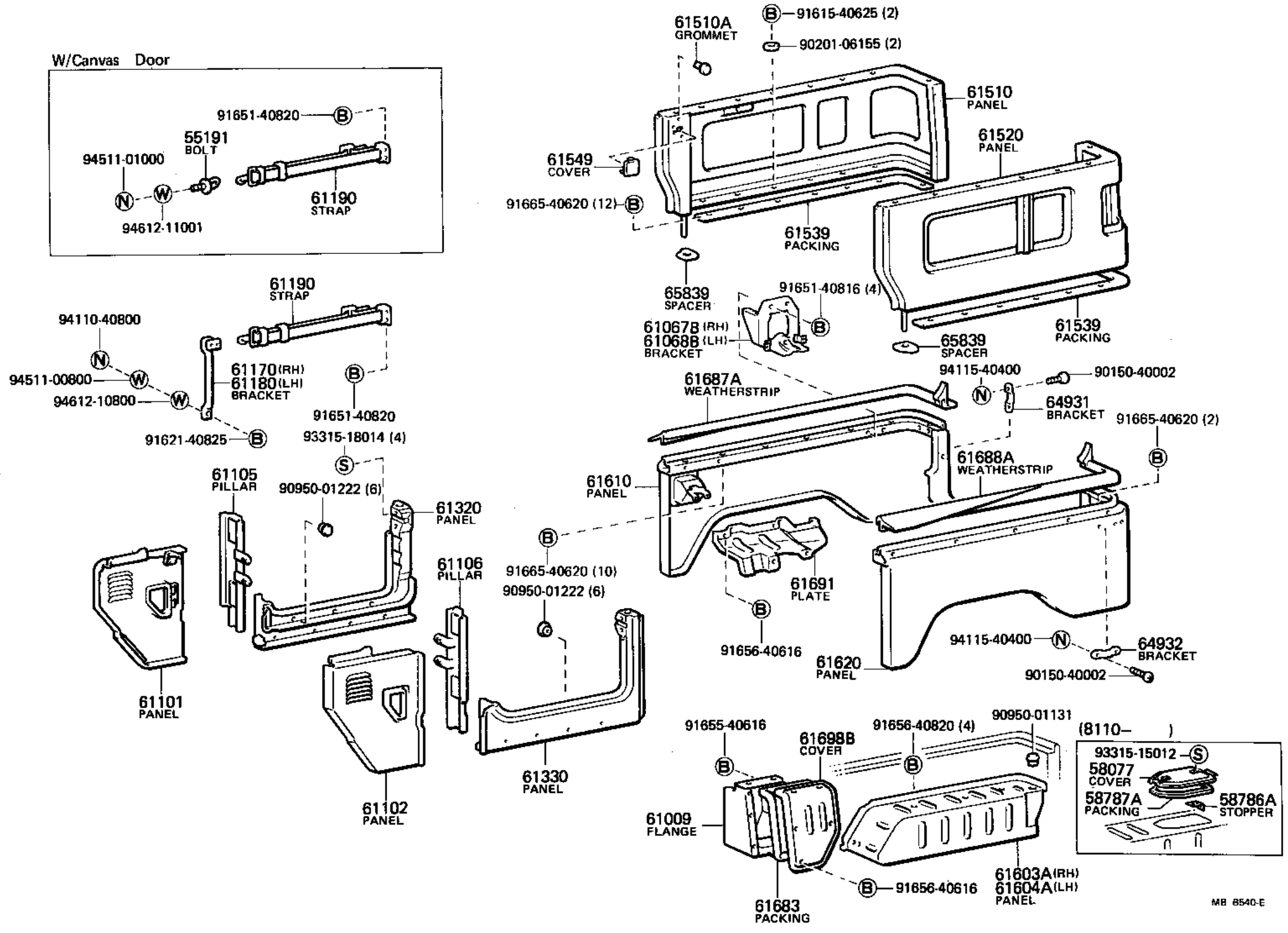






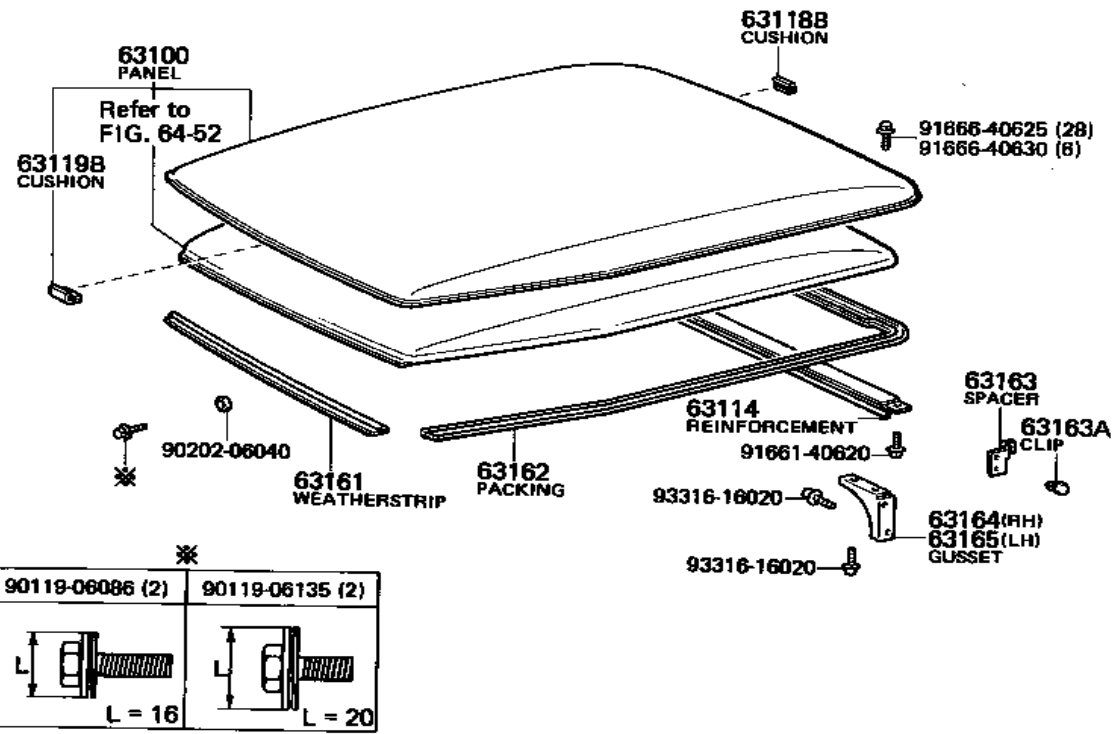
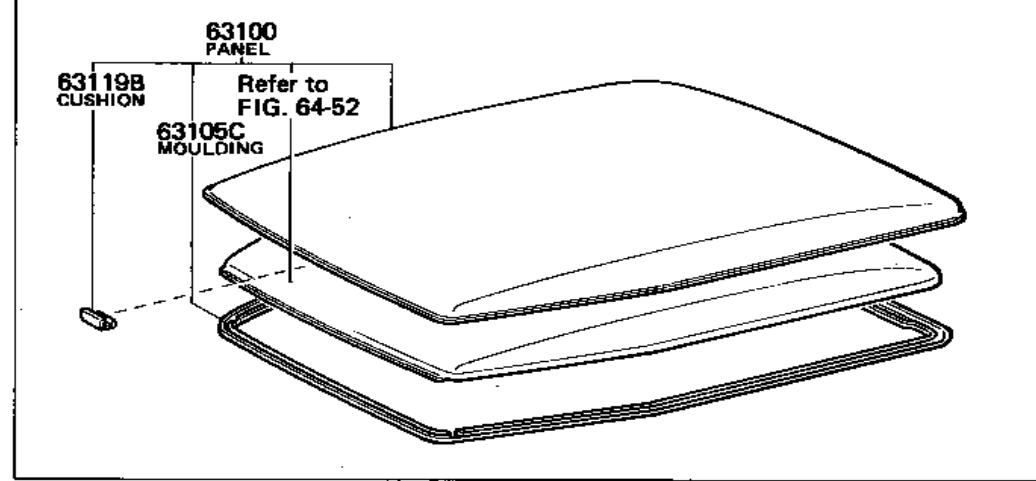


W/Canvas Door

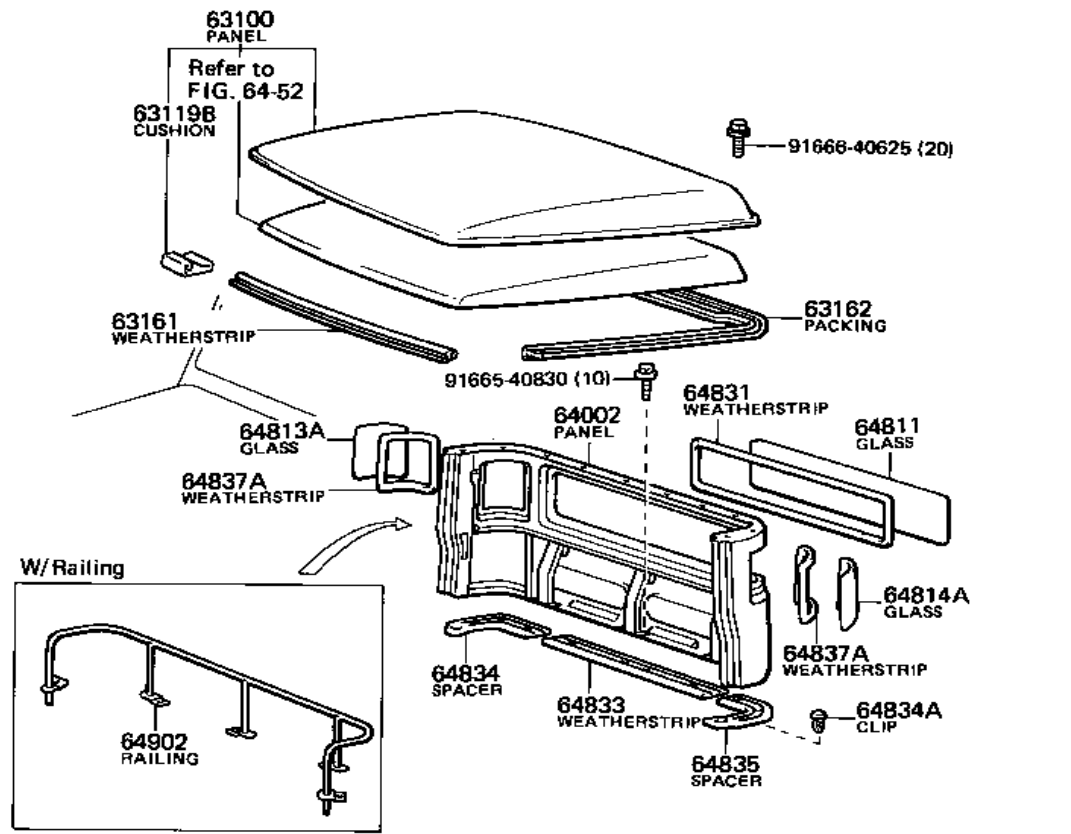


BJ40, 42, FJ40... V... ARL, EUR

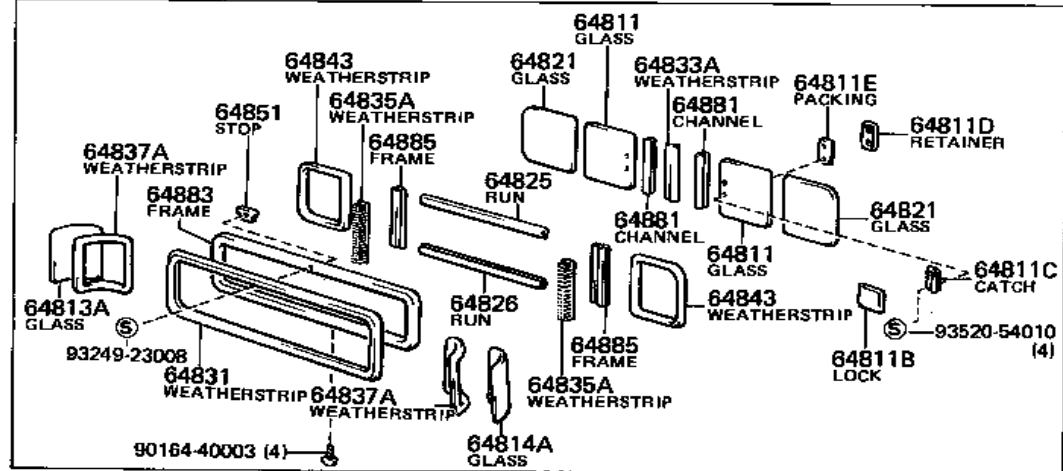
New Zealand Spec



MB 8549-B

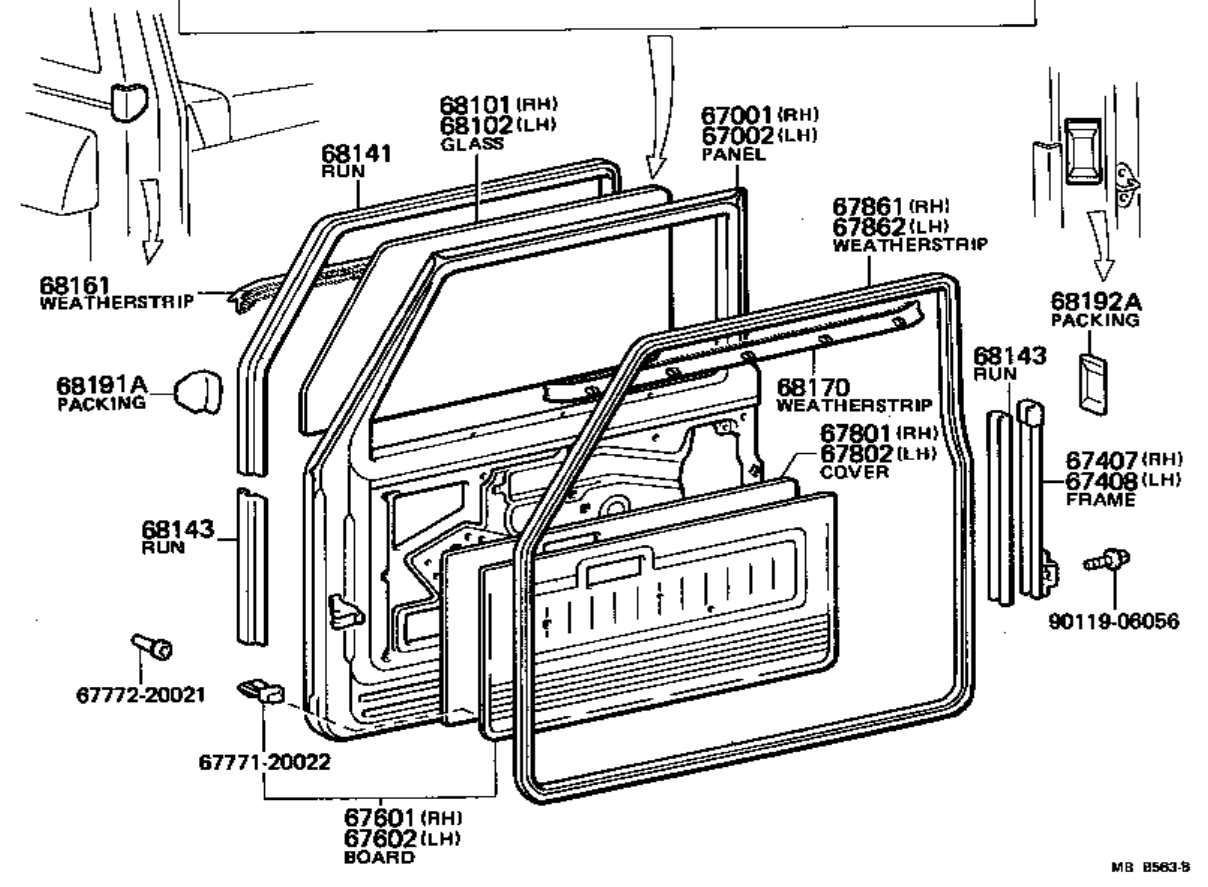
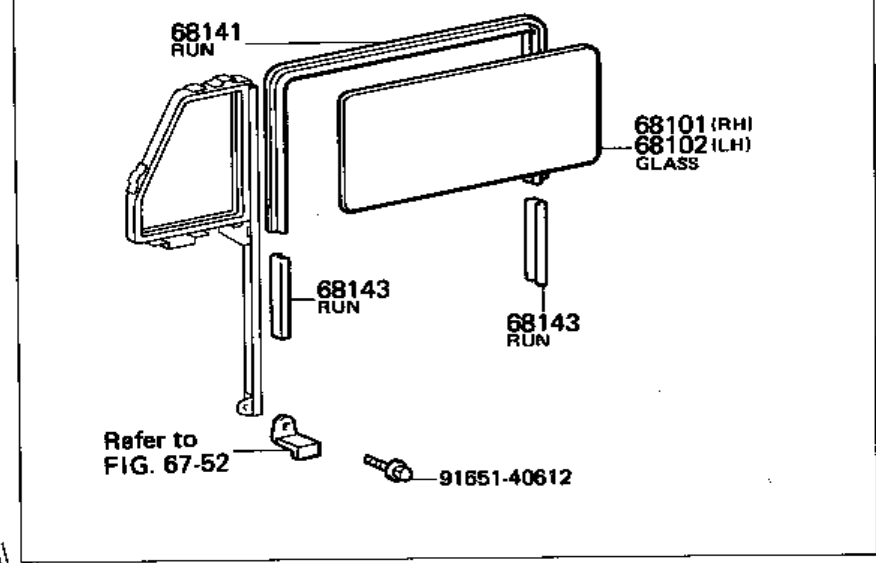


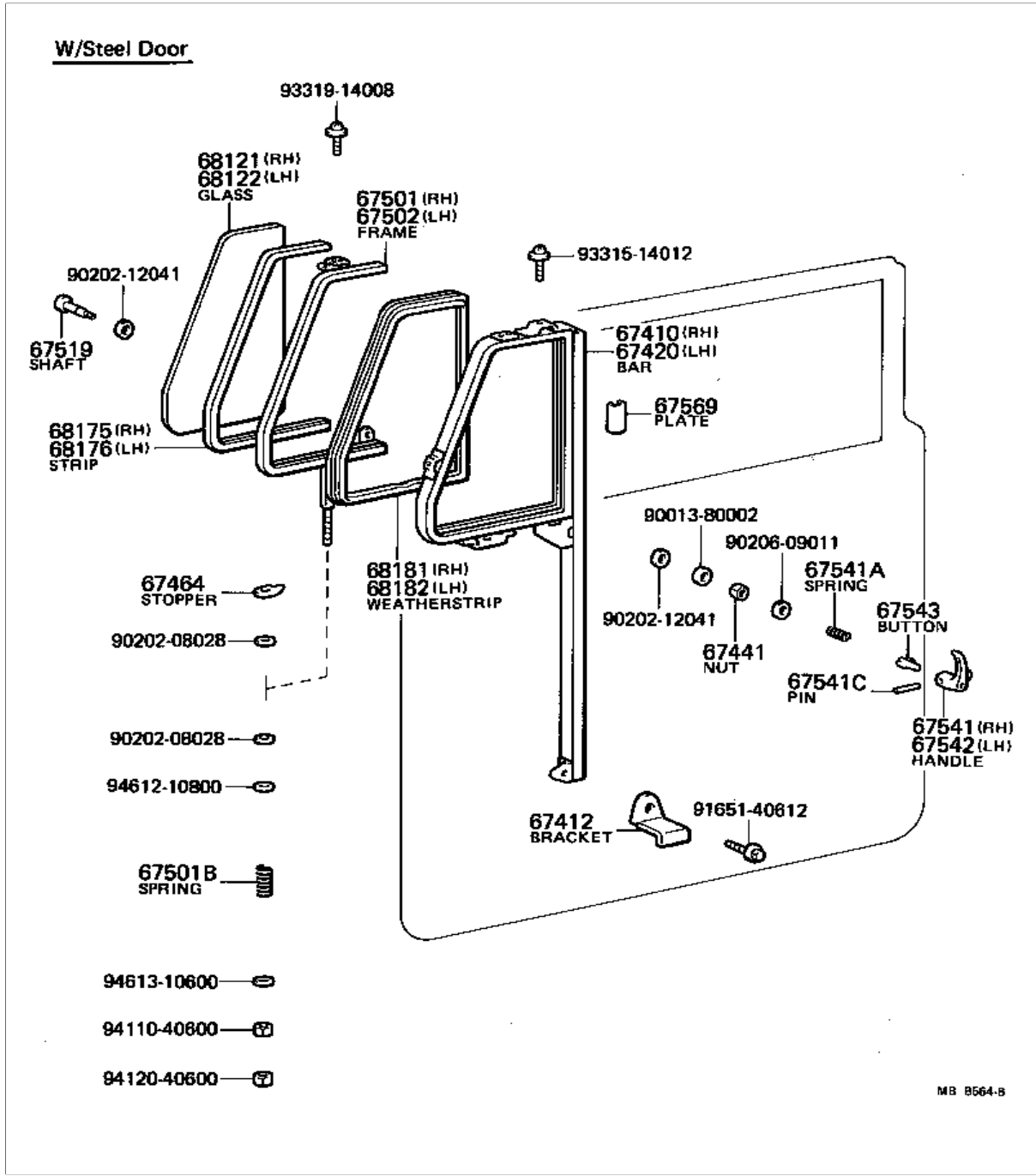
Slide Type

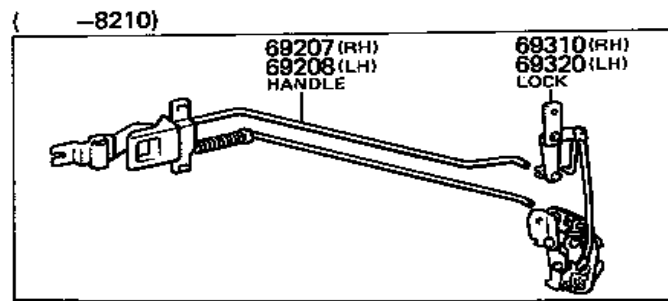
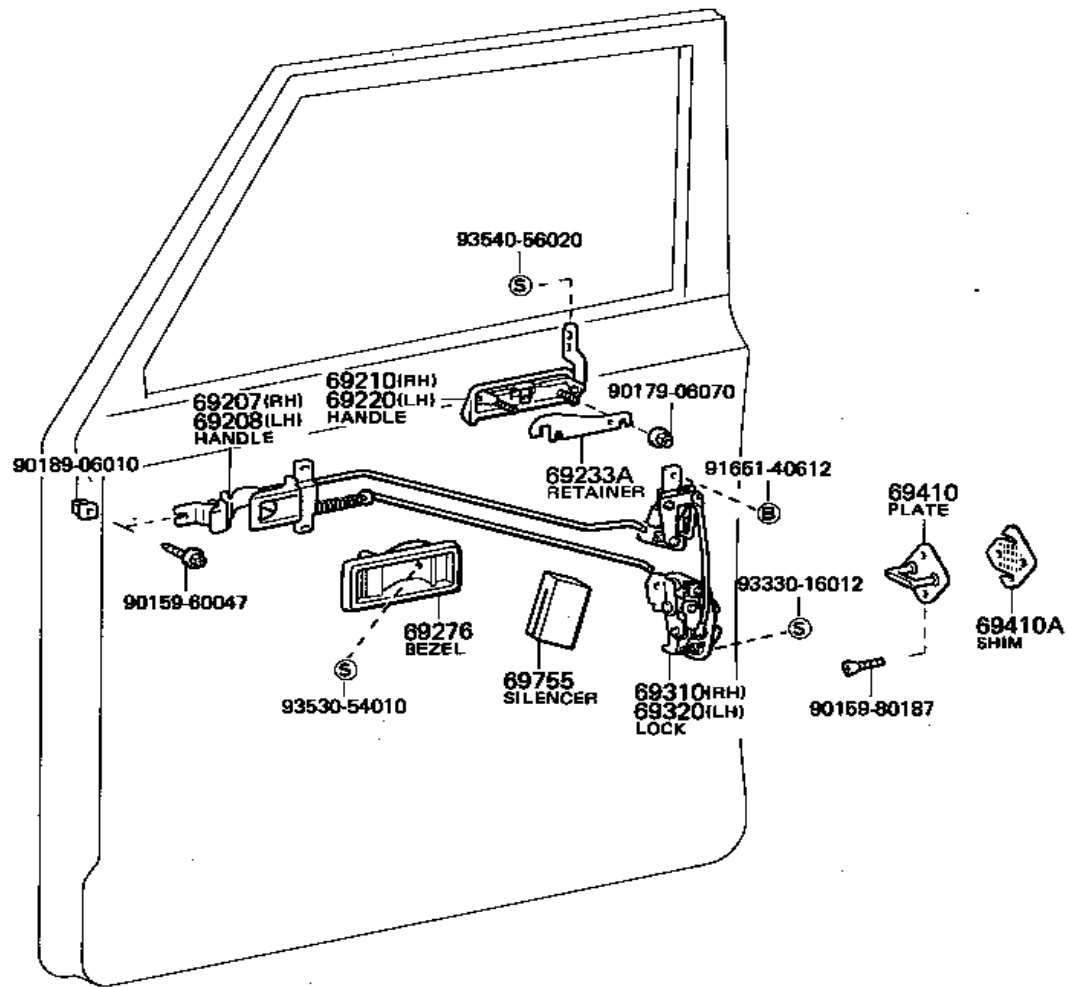


MB C454-A

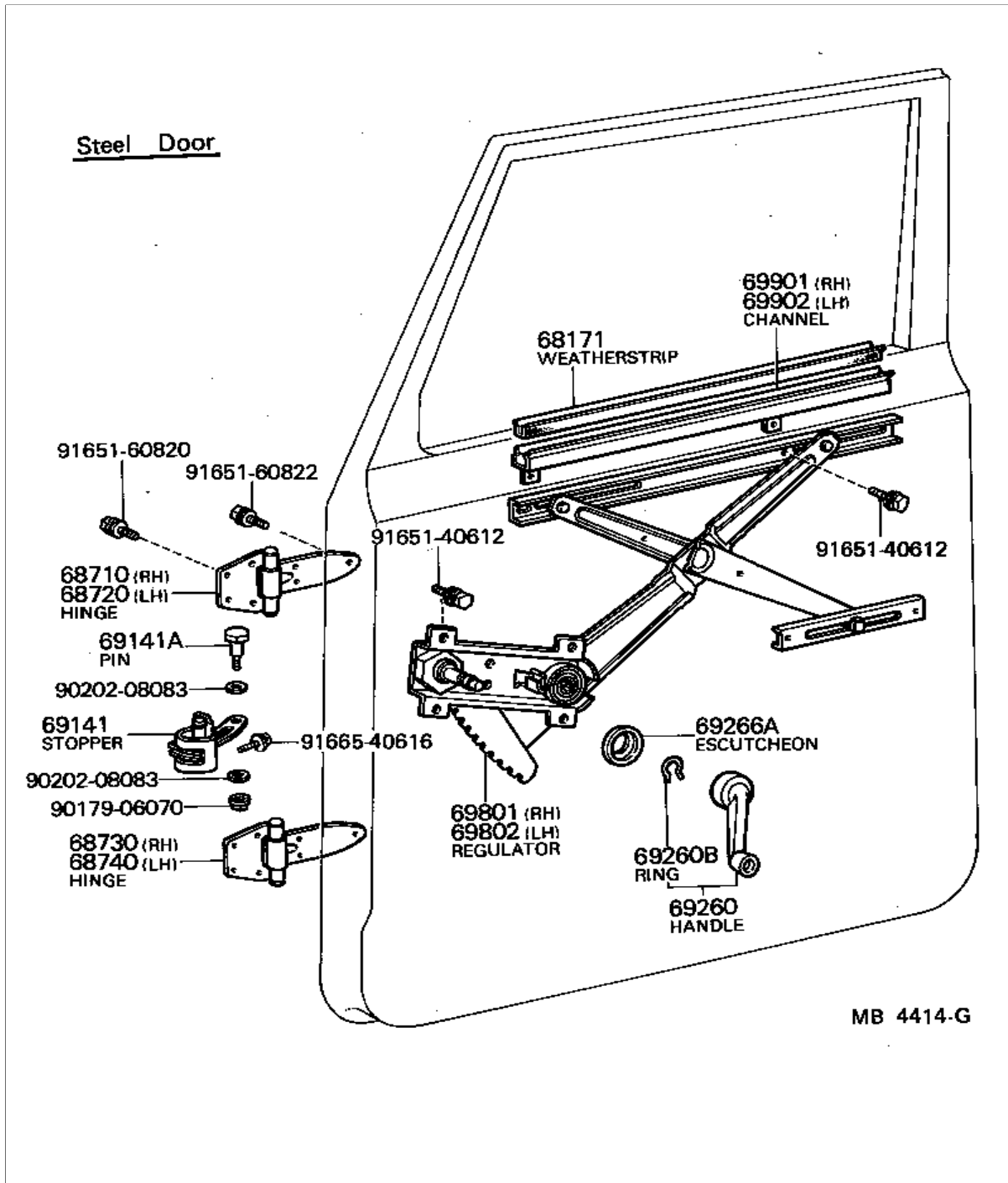
W/Ventilating Window

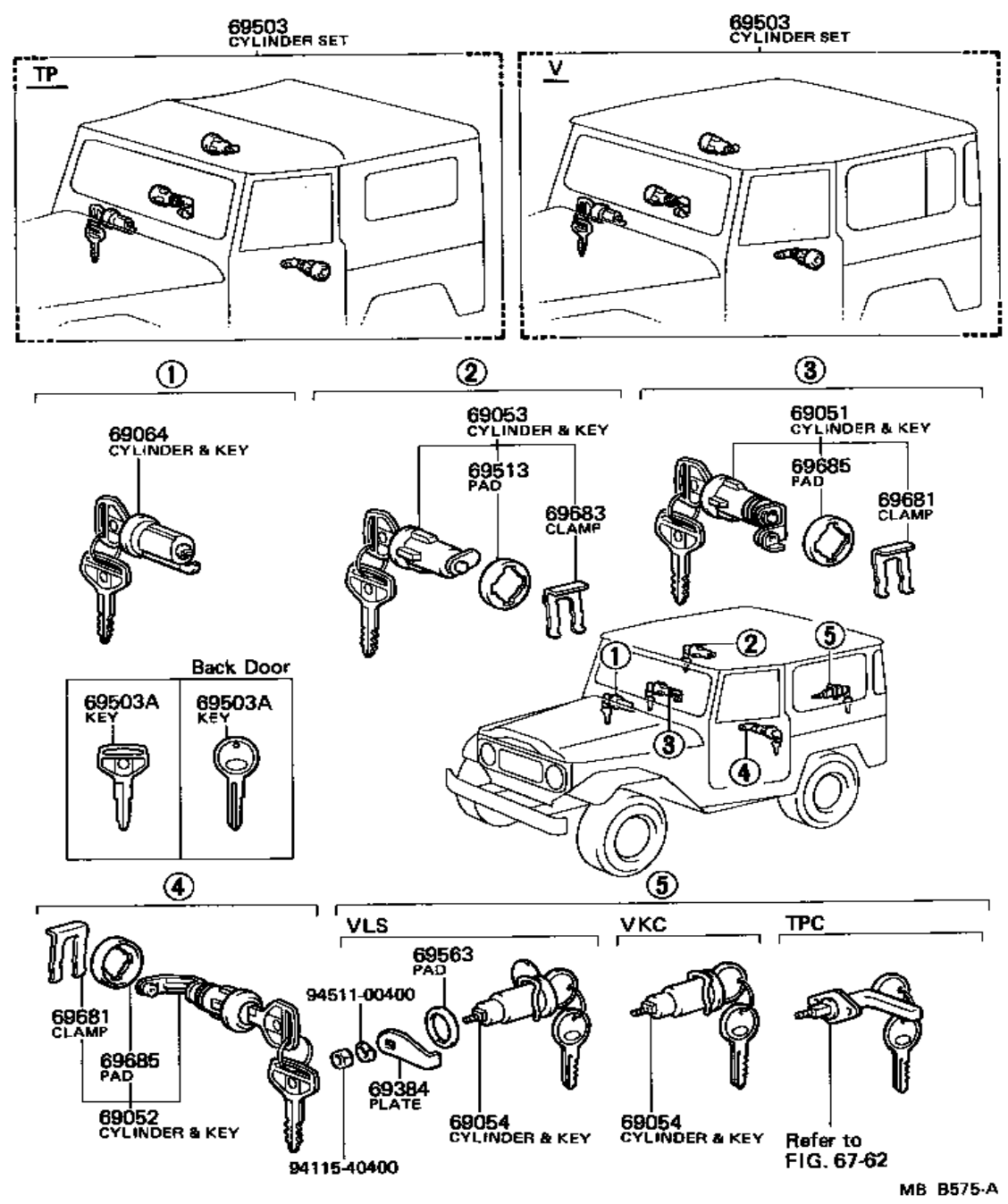




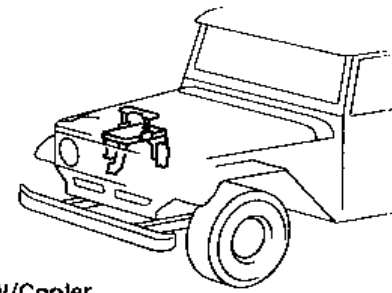
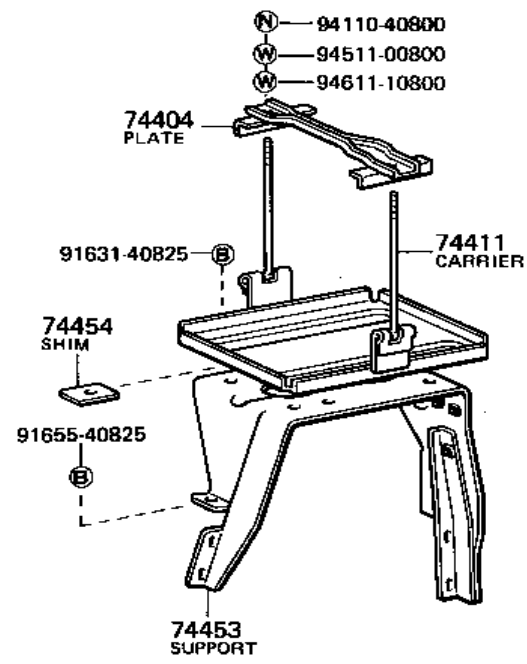


MB B566-B

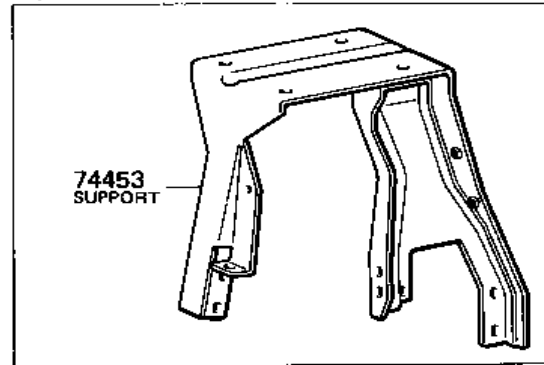




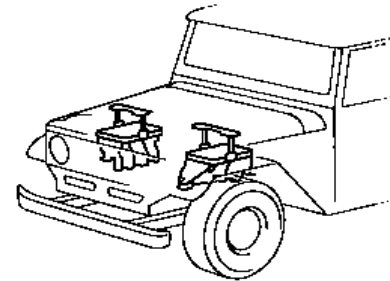
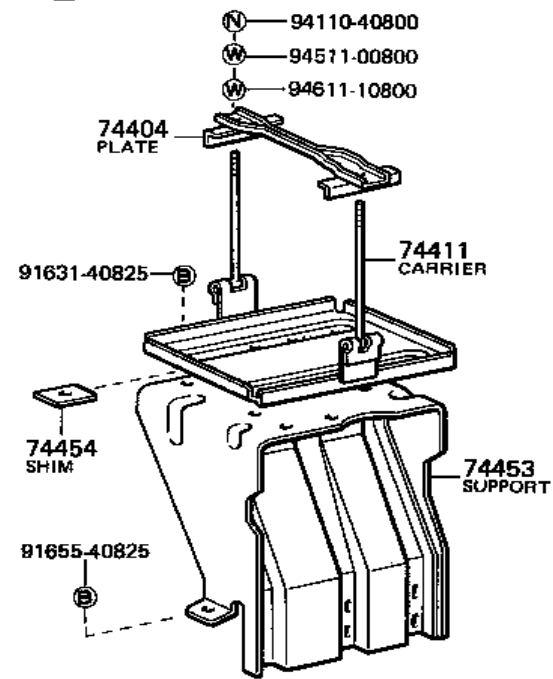
HJ47, FJ4#



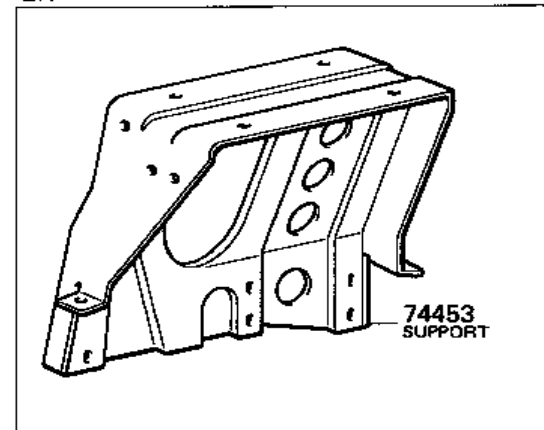
W/Cooler



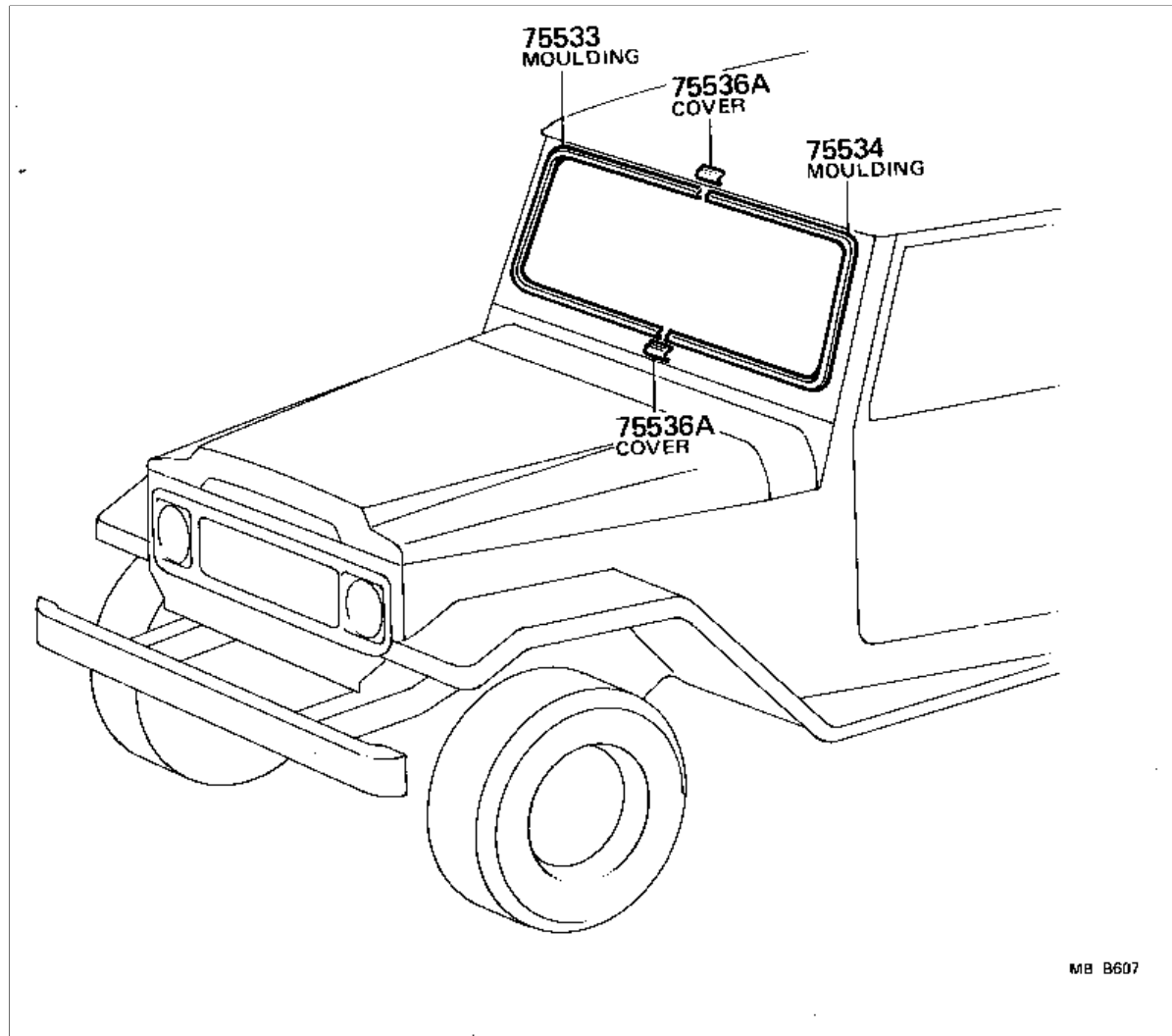
BJ4#

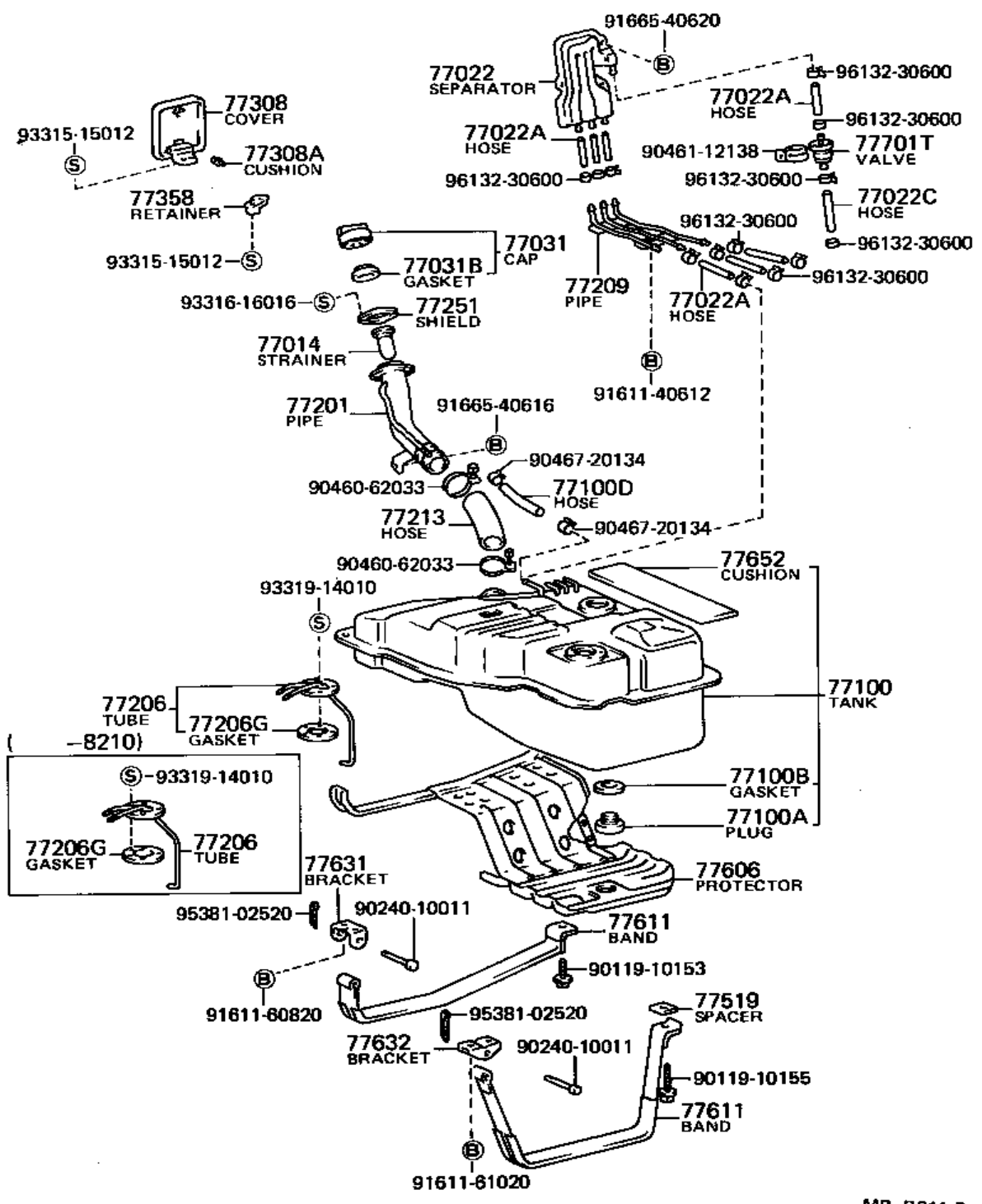


LH

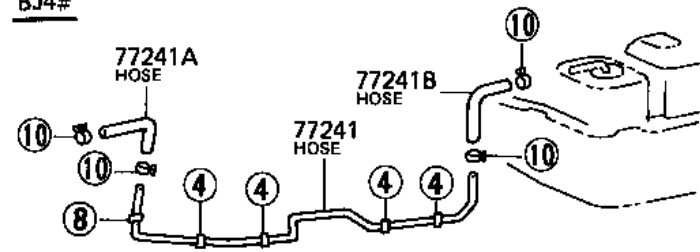


(8008-)BJ40,42,43,46,FJ40,43..GEN; (8008-)BJ45,HJ47,FJ45..PIC..GEN

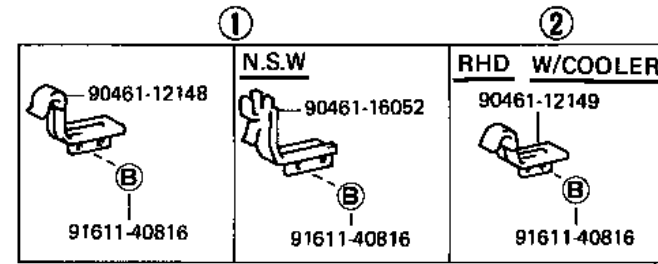
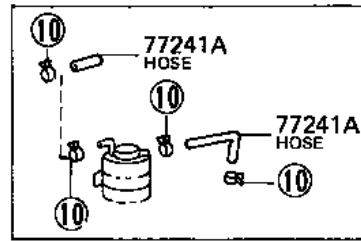




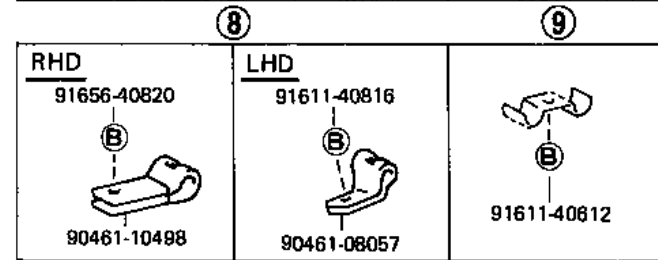
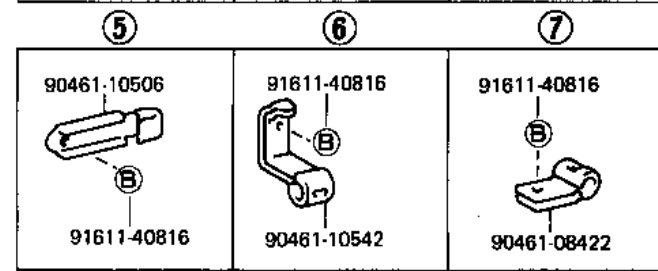
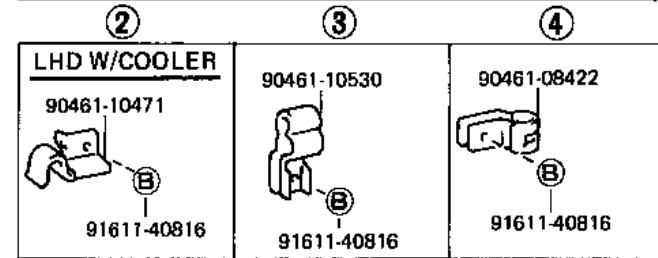
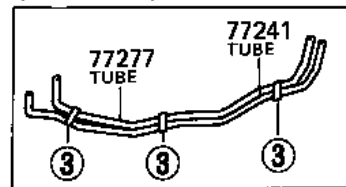
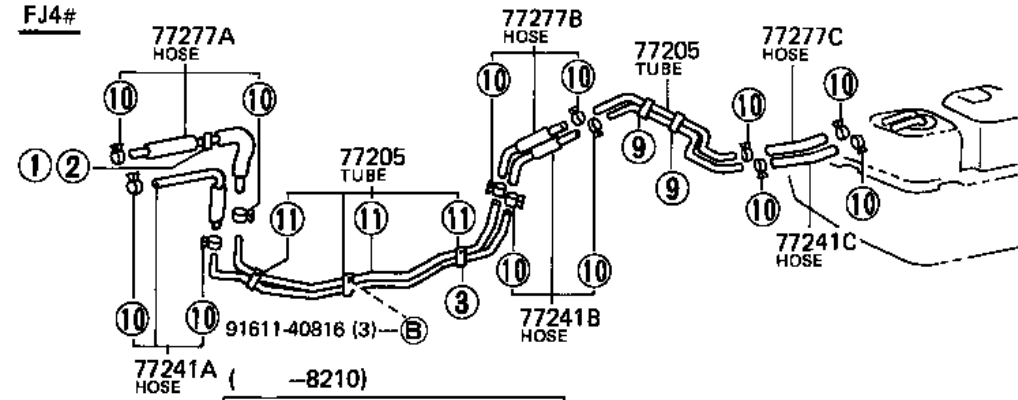
BJ4#



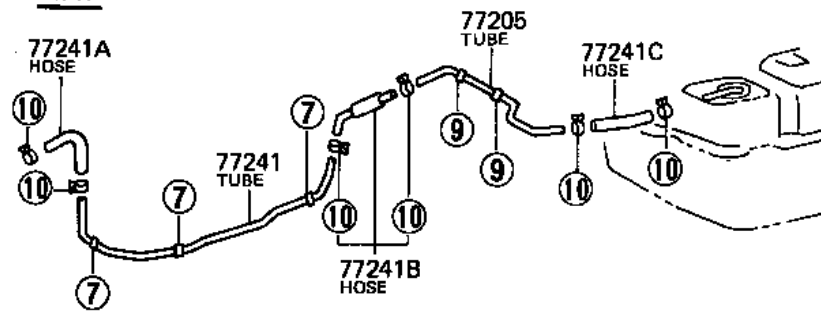
W/Sedimenter



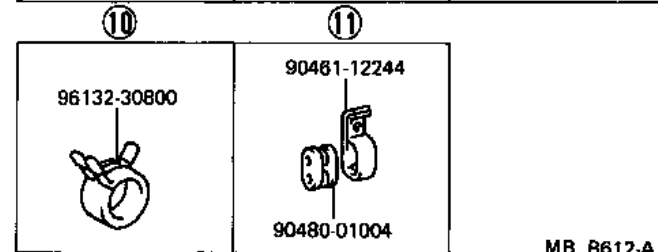
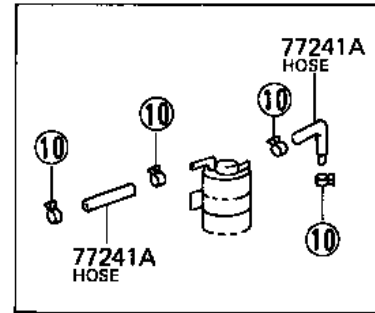
FJ4#



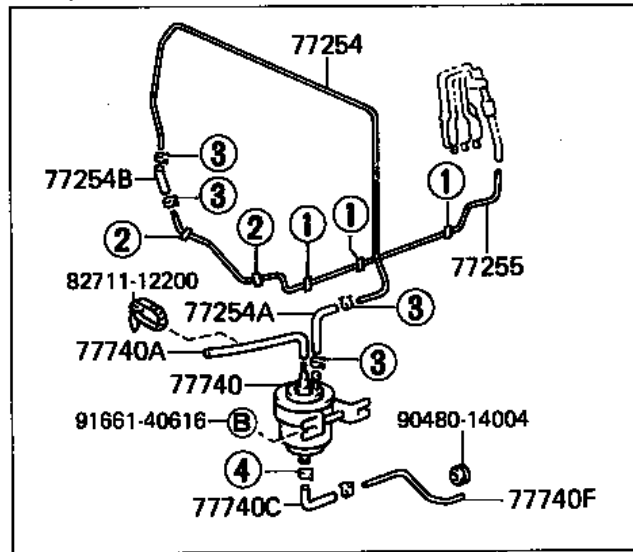
HJ47



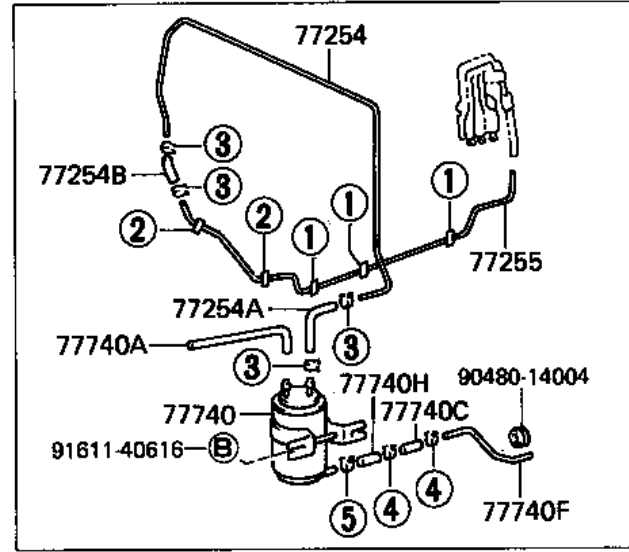
W/Sedimenter



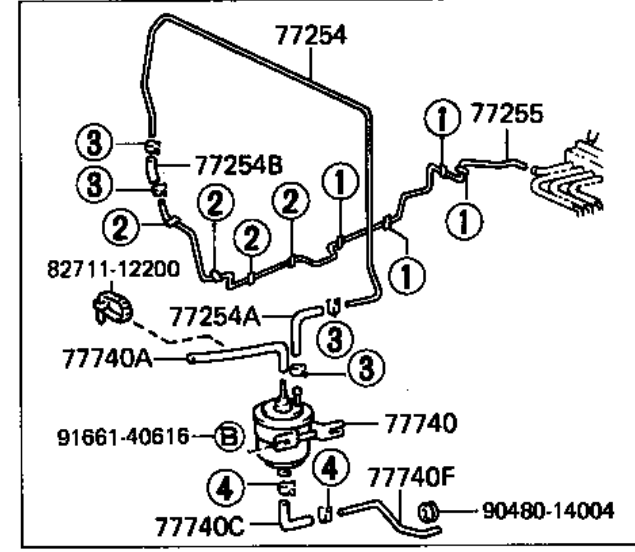
FJ40, 45 . . (V, TP) . . ARL



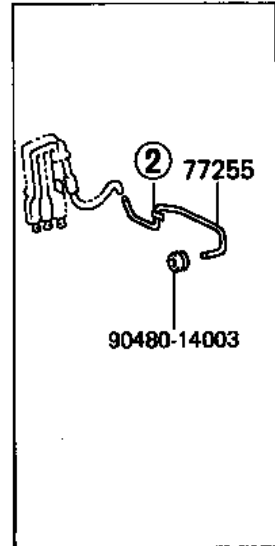
FJ40 . . ARL (N. S. W.) (VICTORIA)



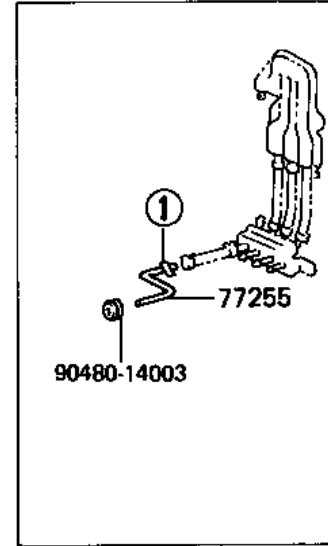
FJ45 . . PIC . . ARL



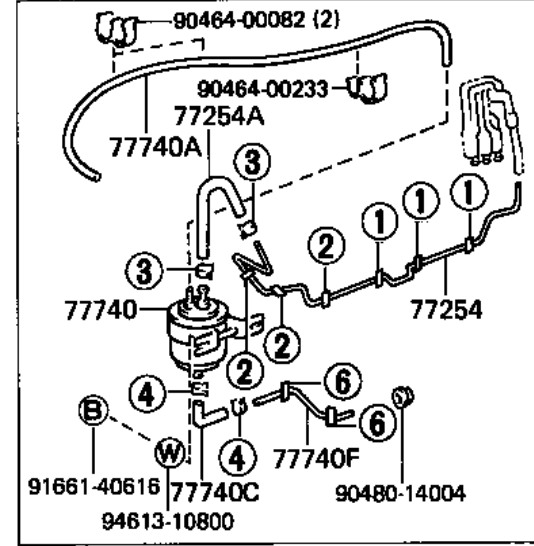
V, TP . . EUR, GEN



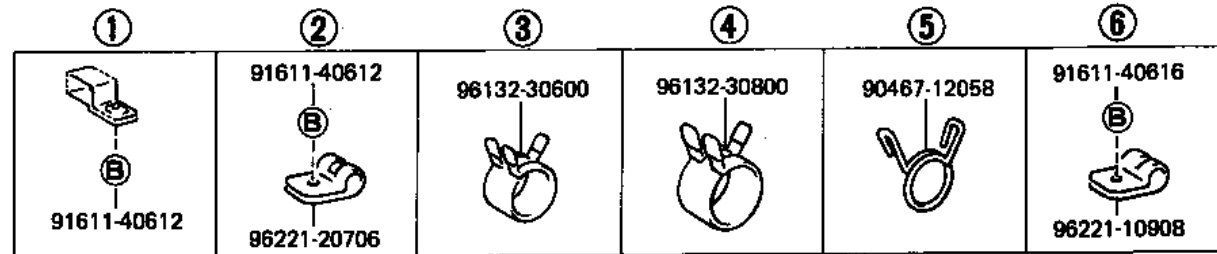
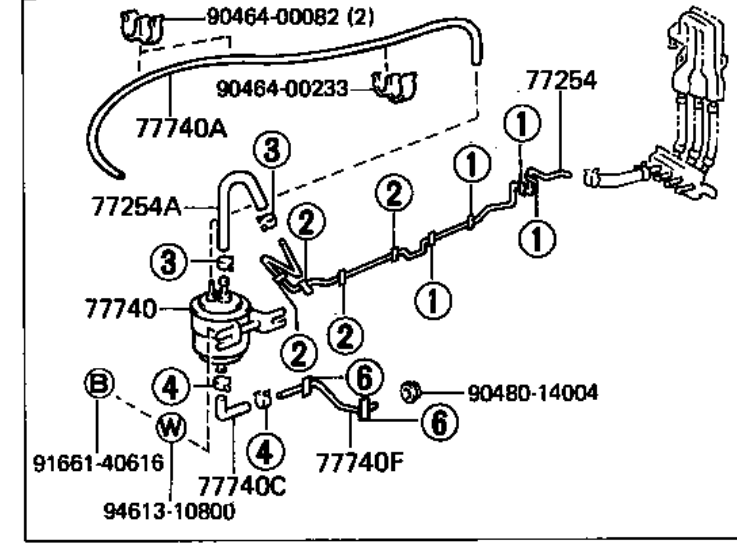
PIC . . EUR, GEN

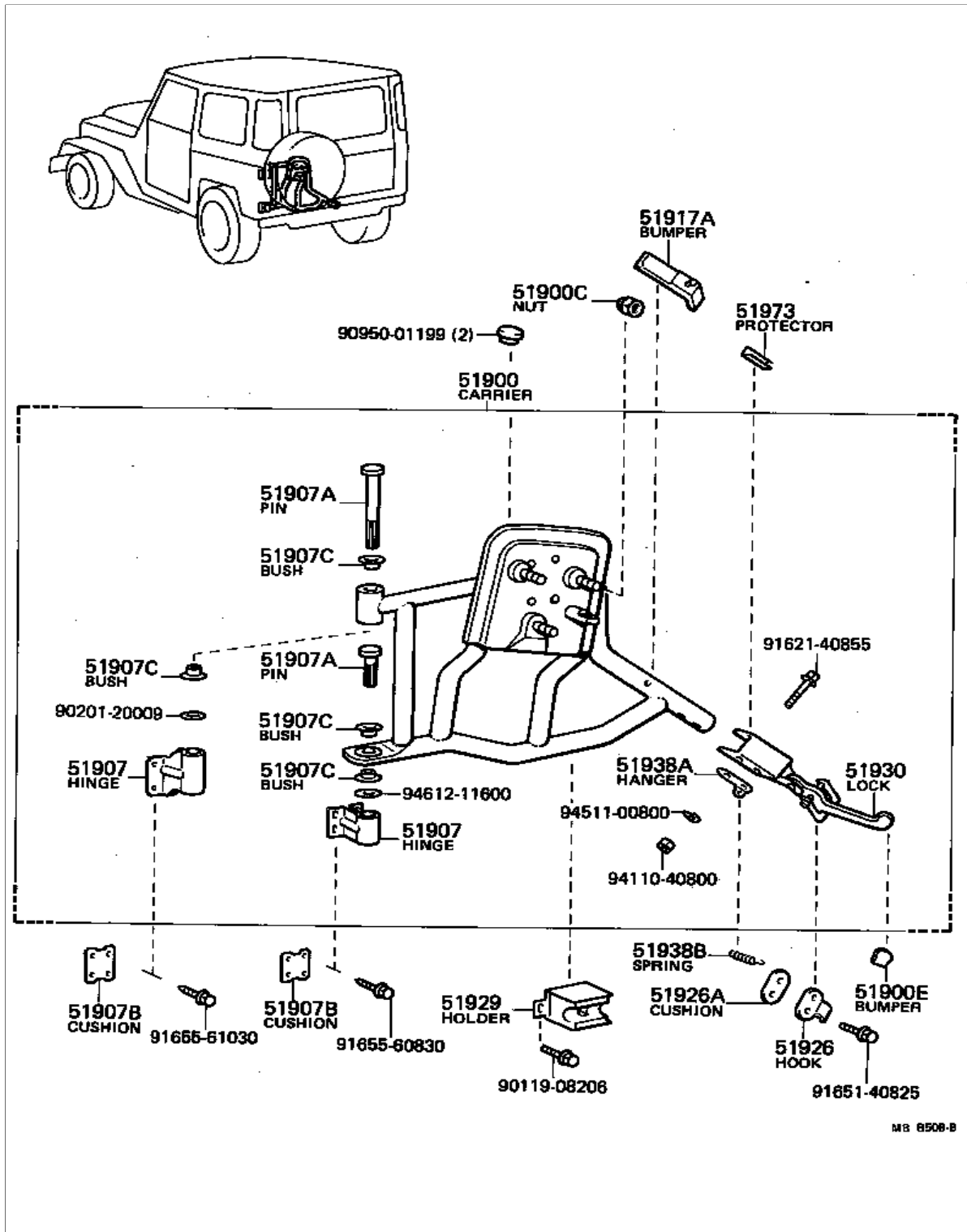


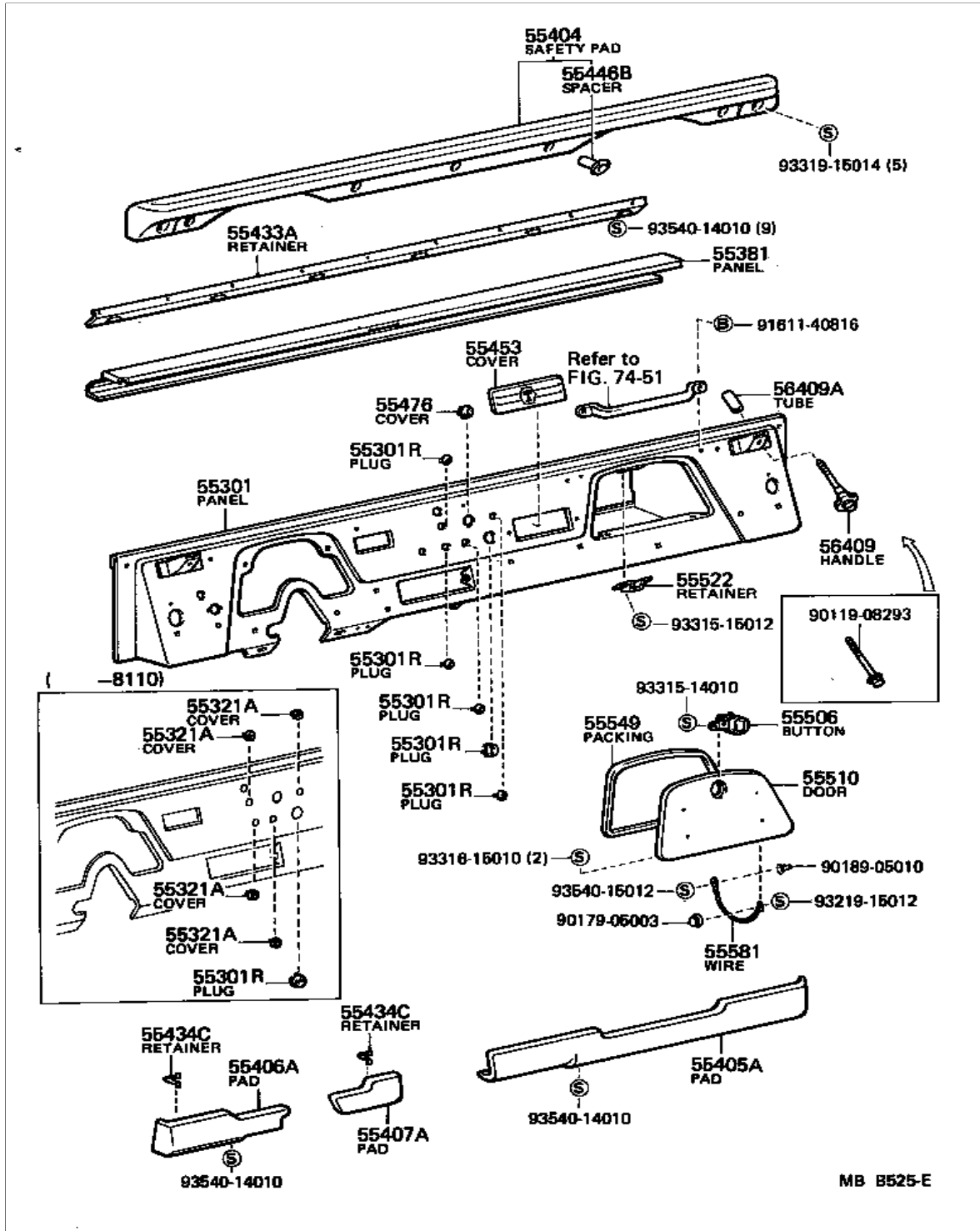
V, TP . . SAA (8401-)

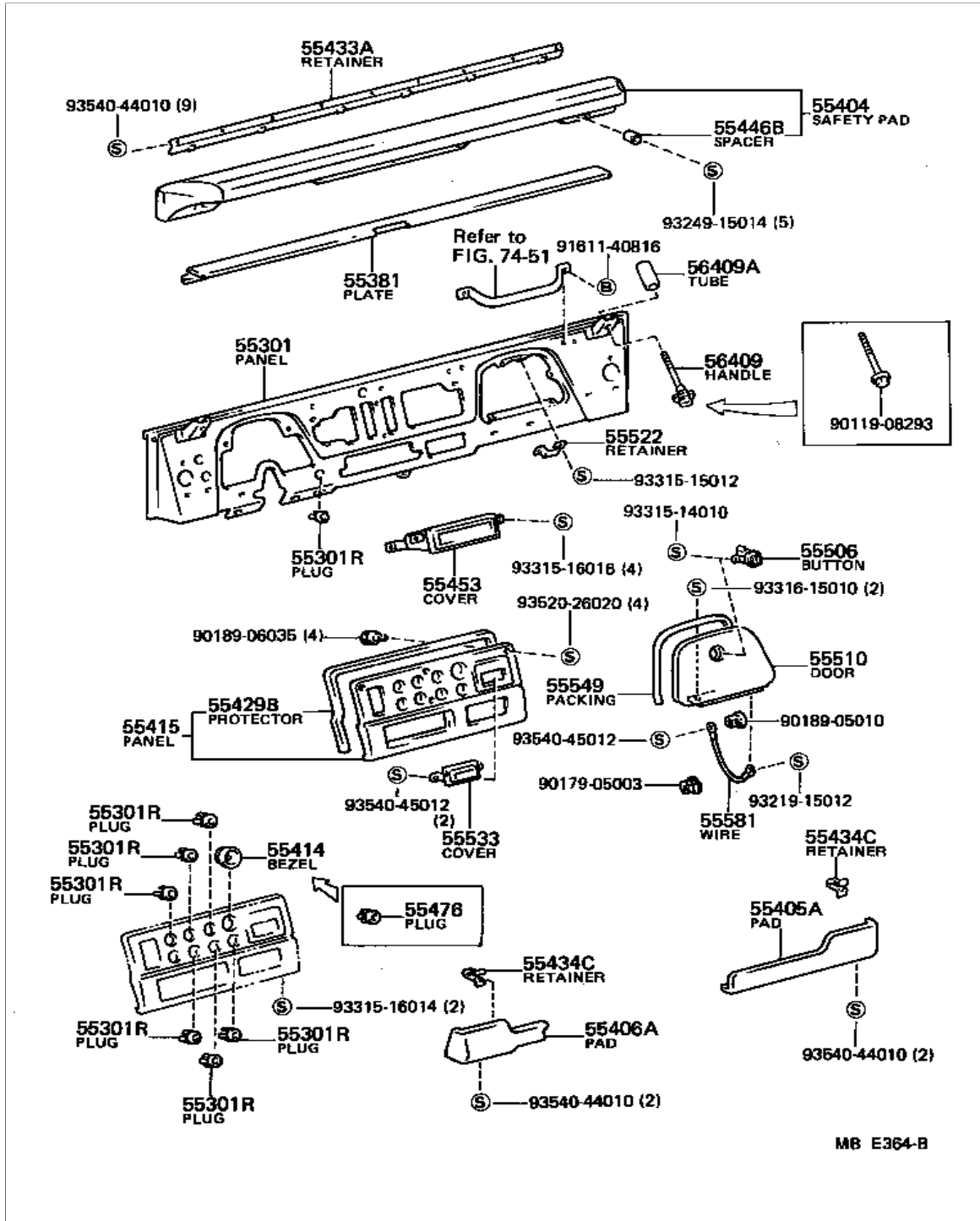


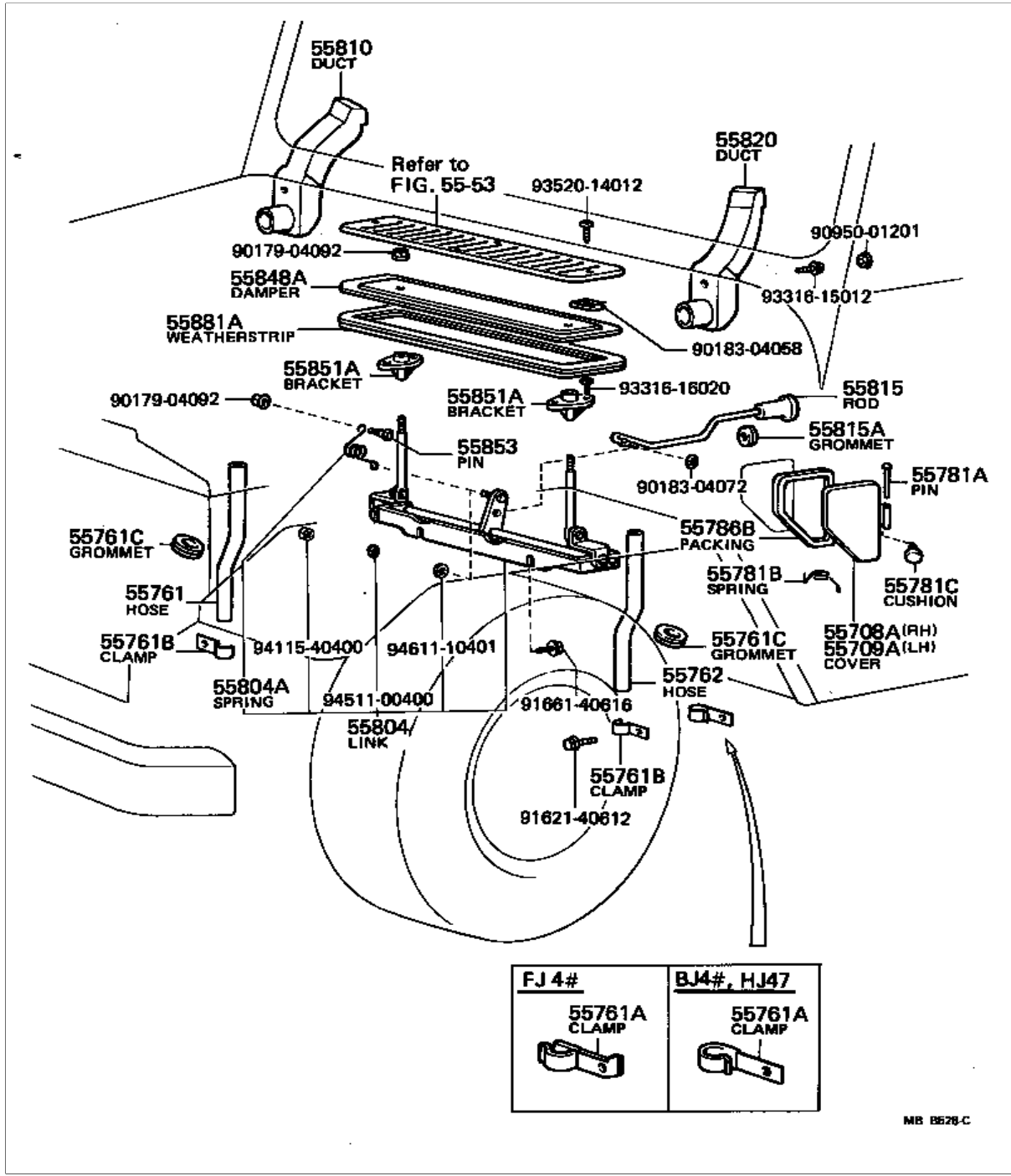
PIC . . SAA (8401-)

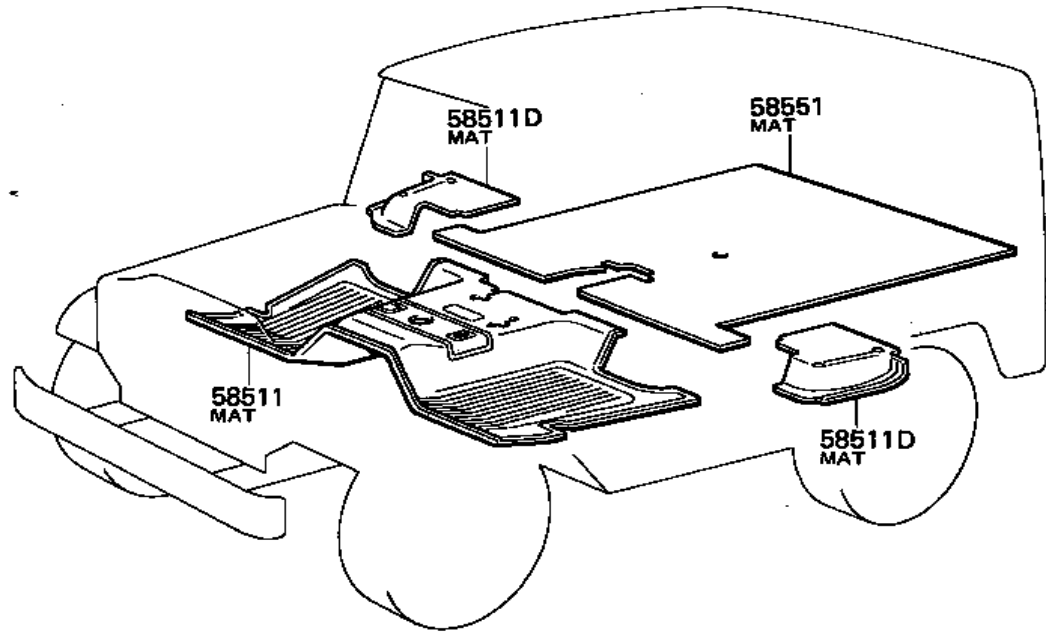




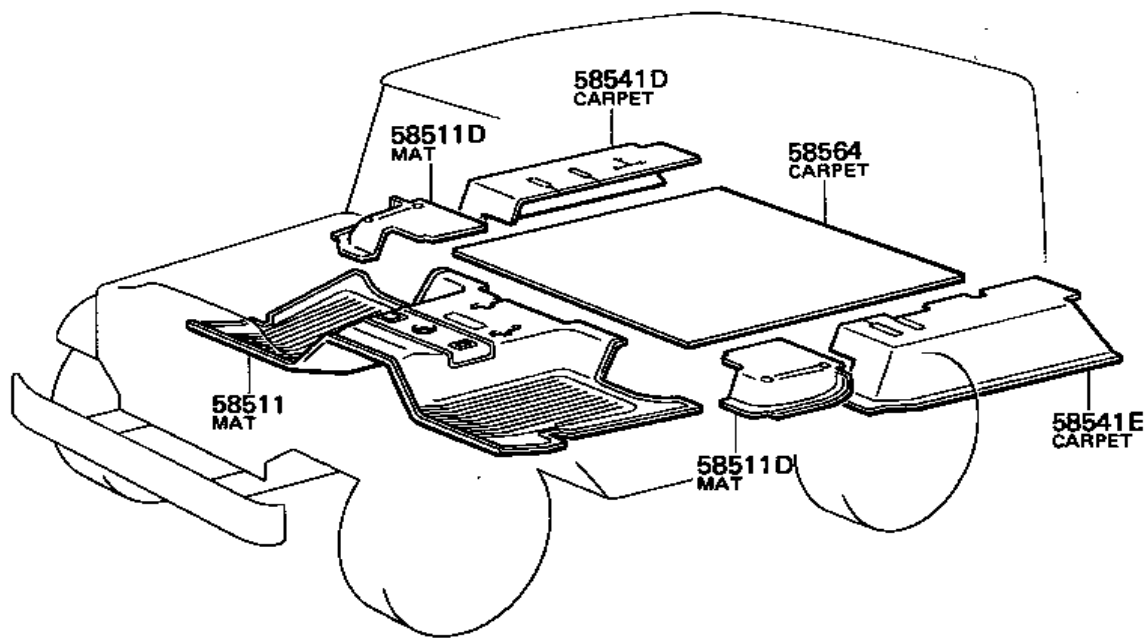


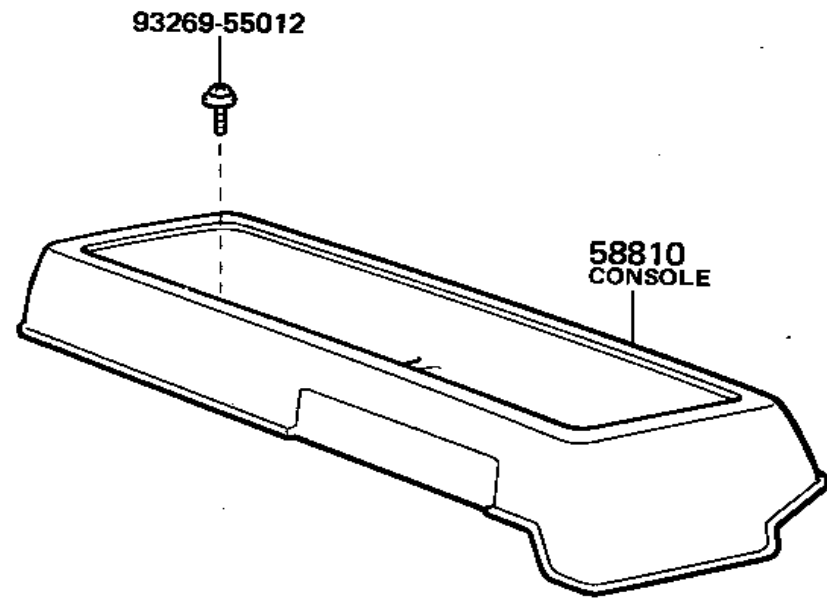




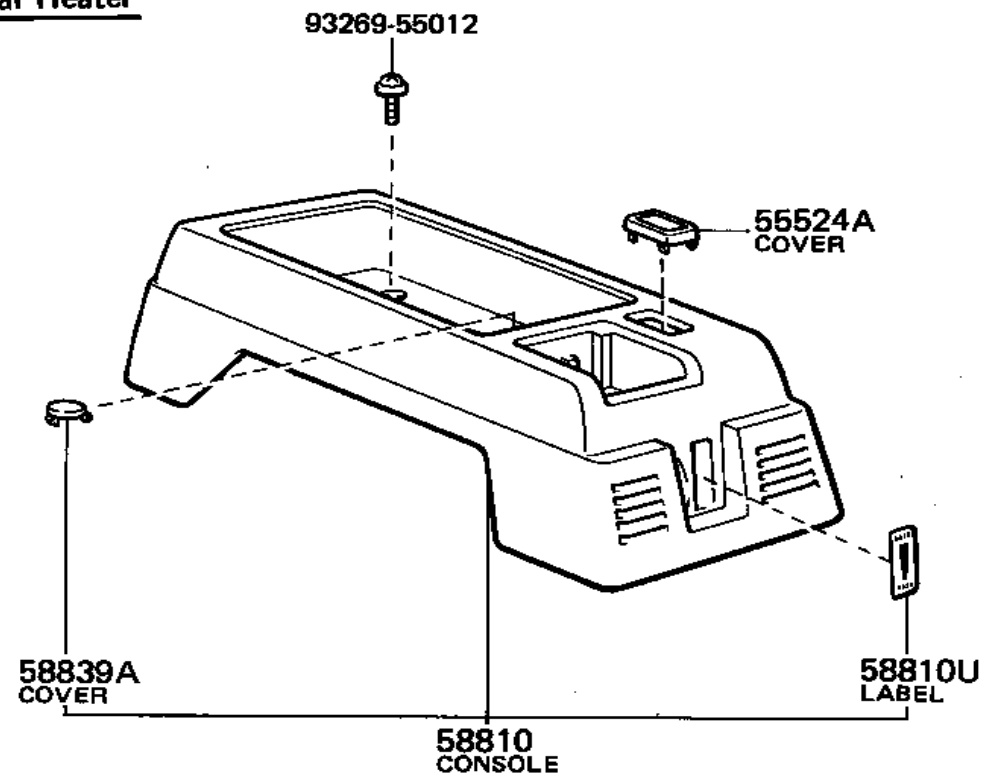


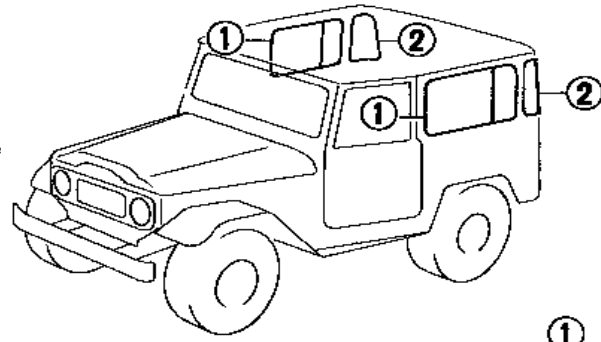
(8110-) W/Rear Carpet



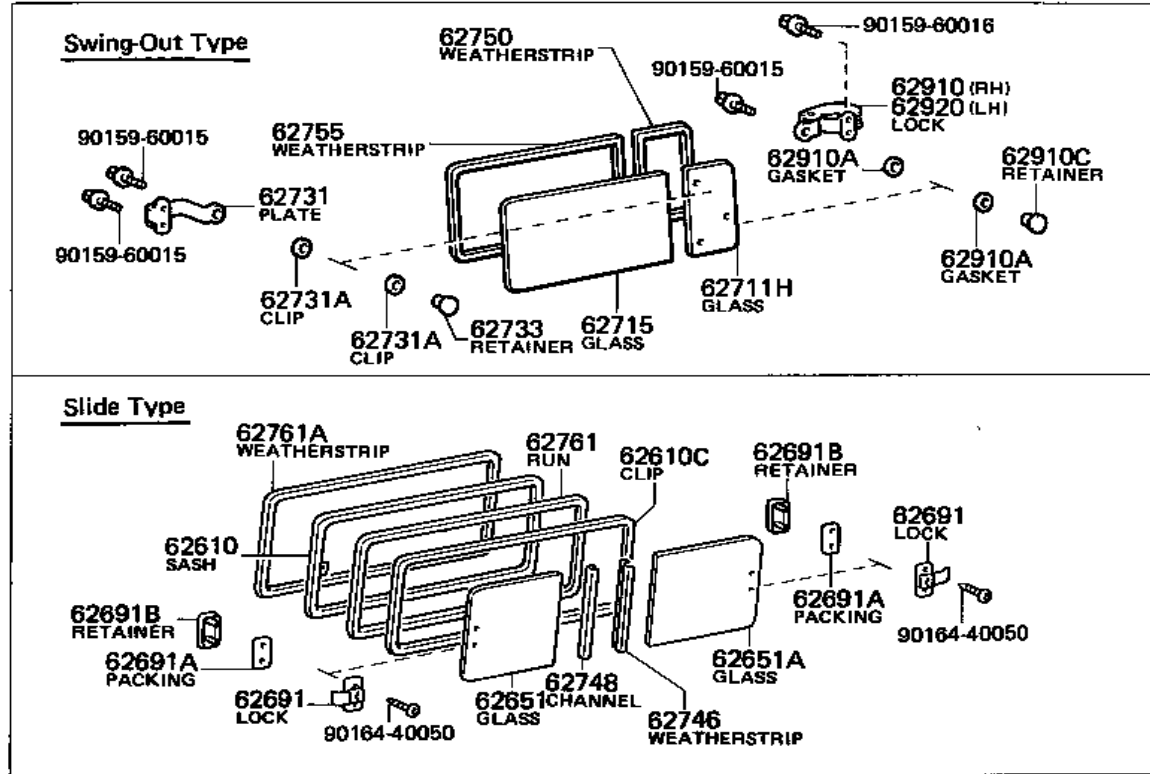


W/Rear Heater

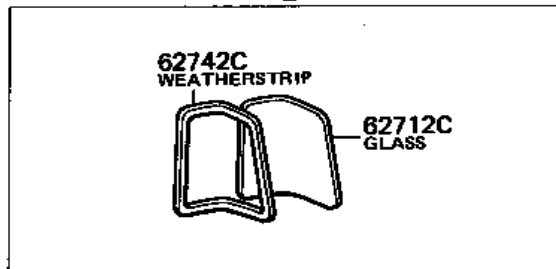




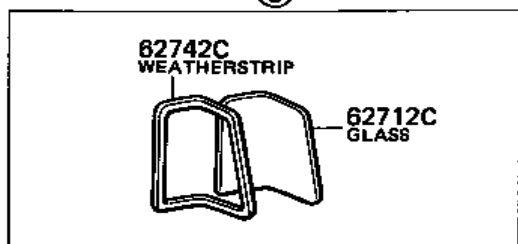
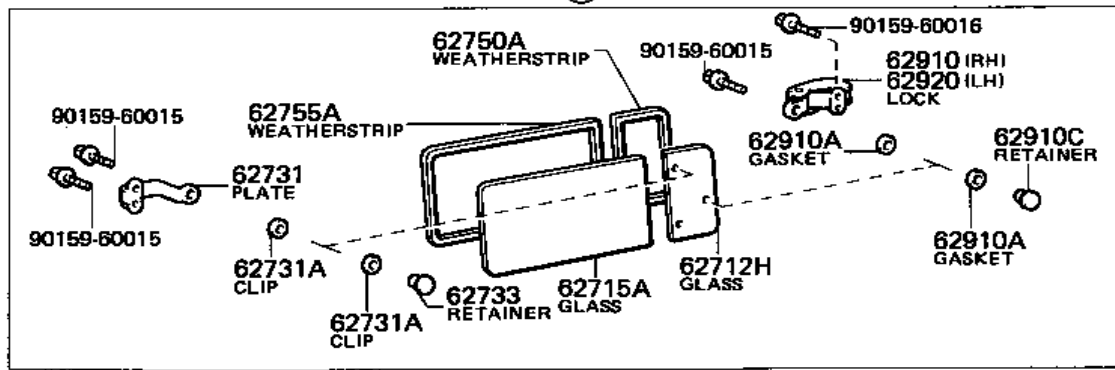
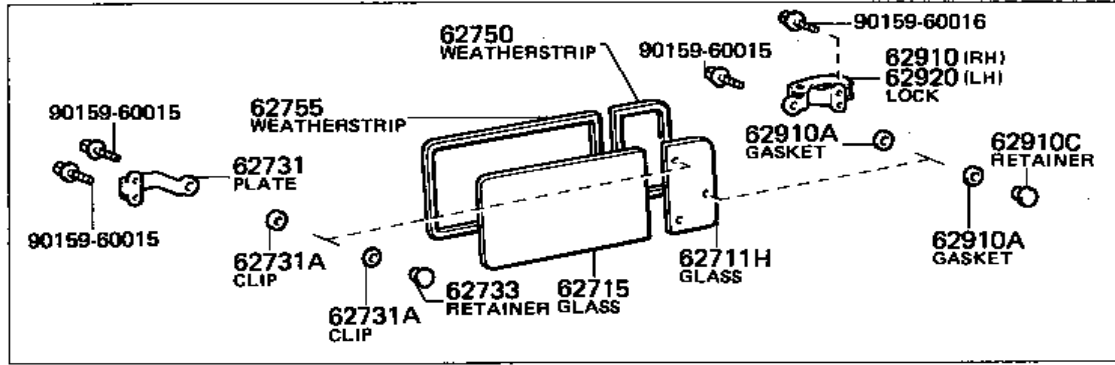
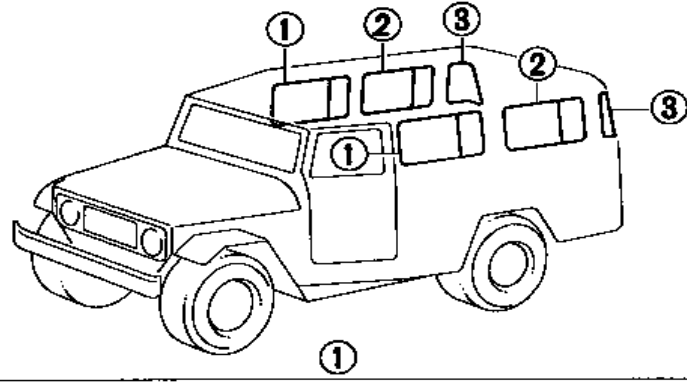
①



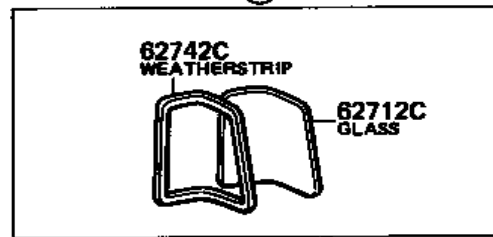
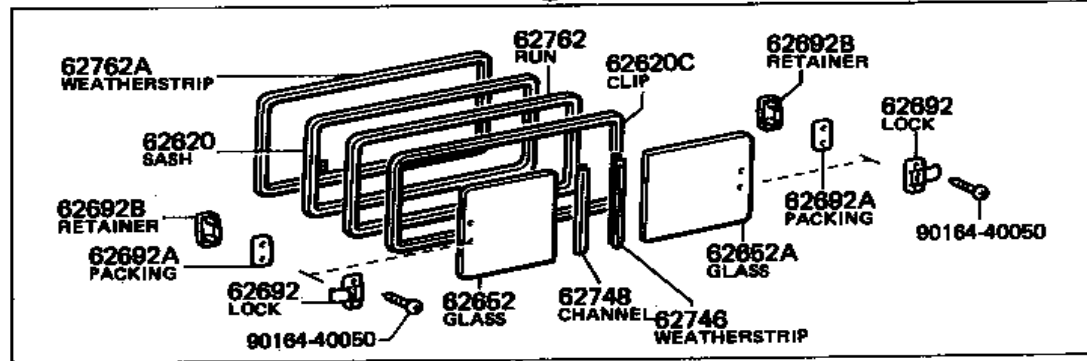
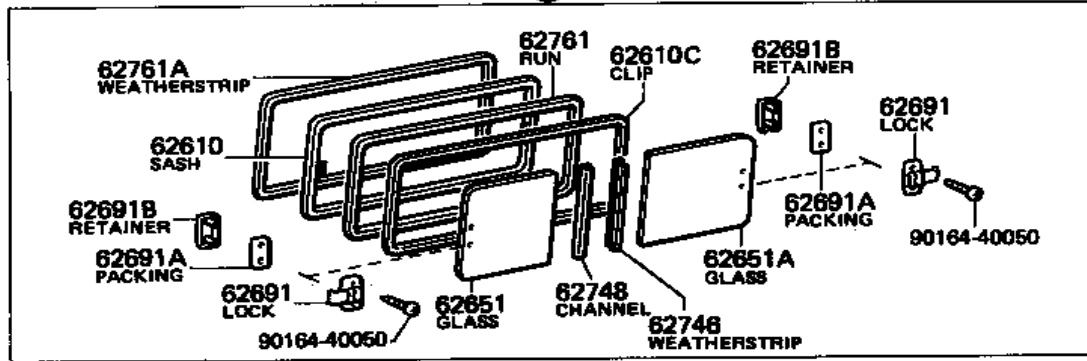
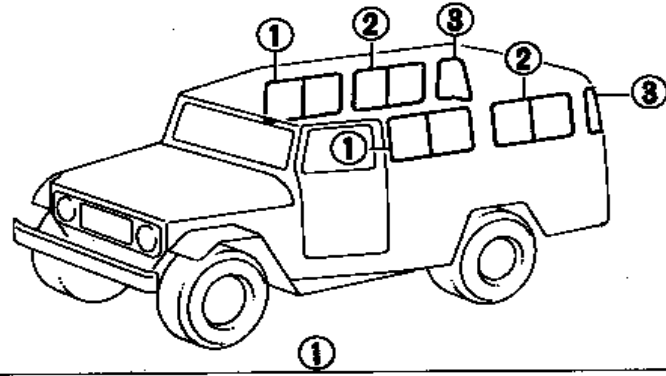
②

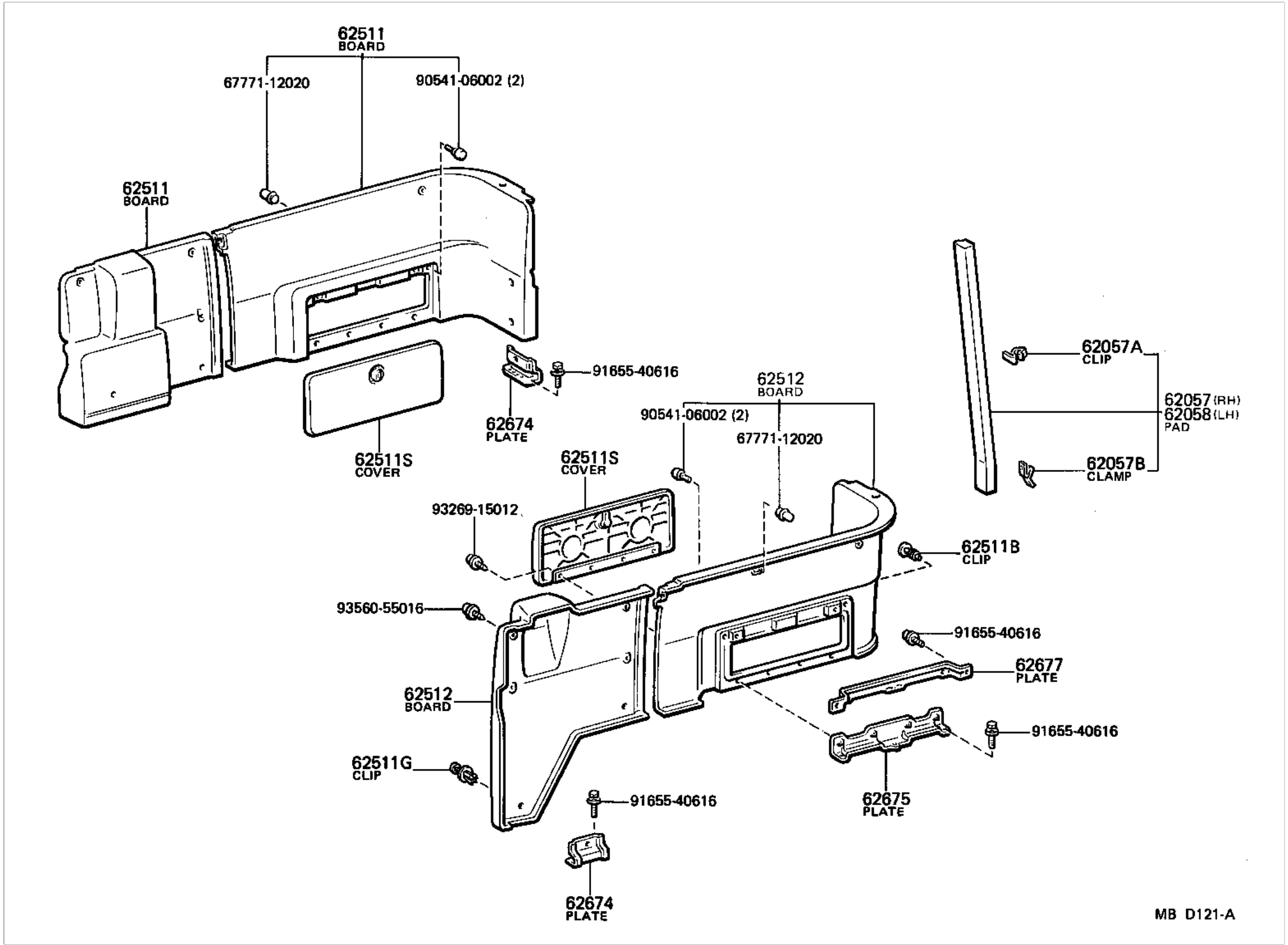


Fized Type

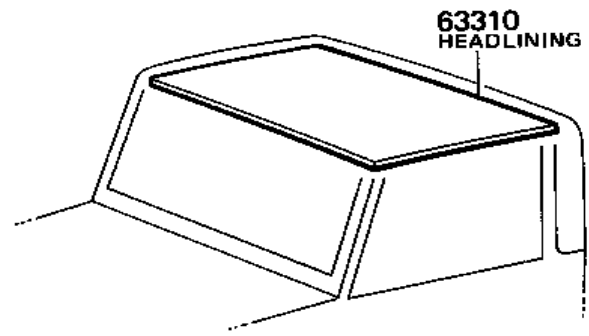


Slide Type

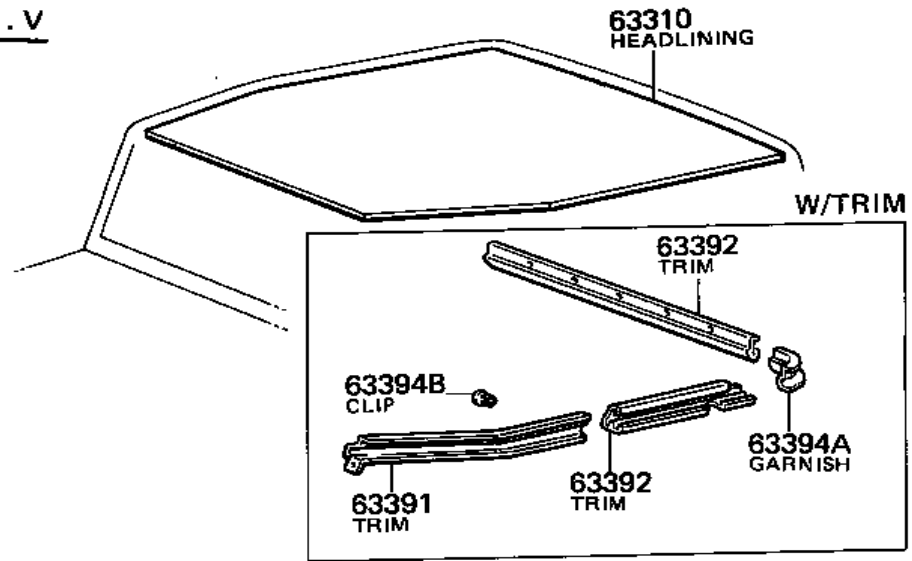




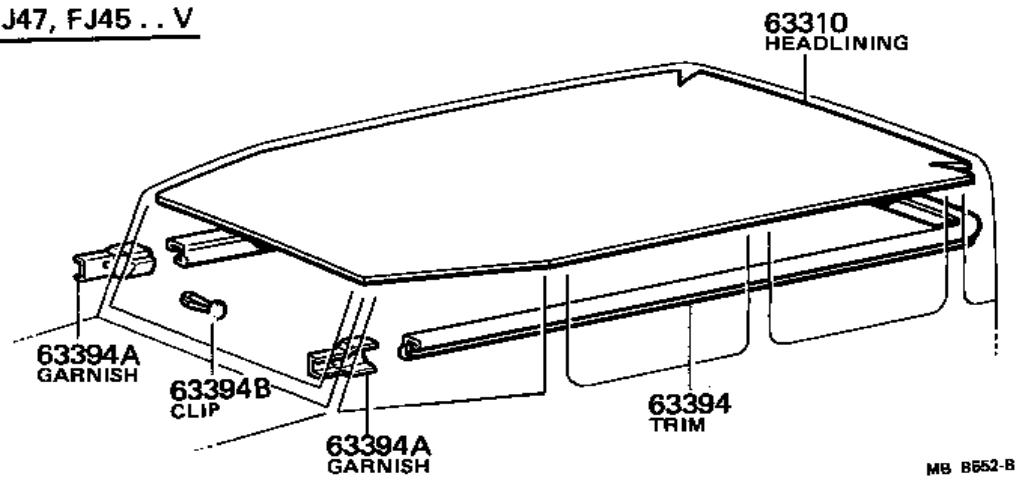
BJ45, HJ47, FJ45 . . PIC



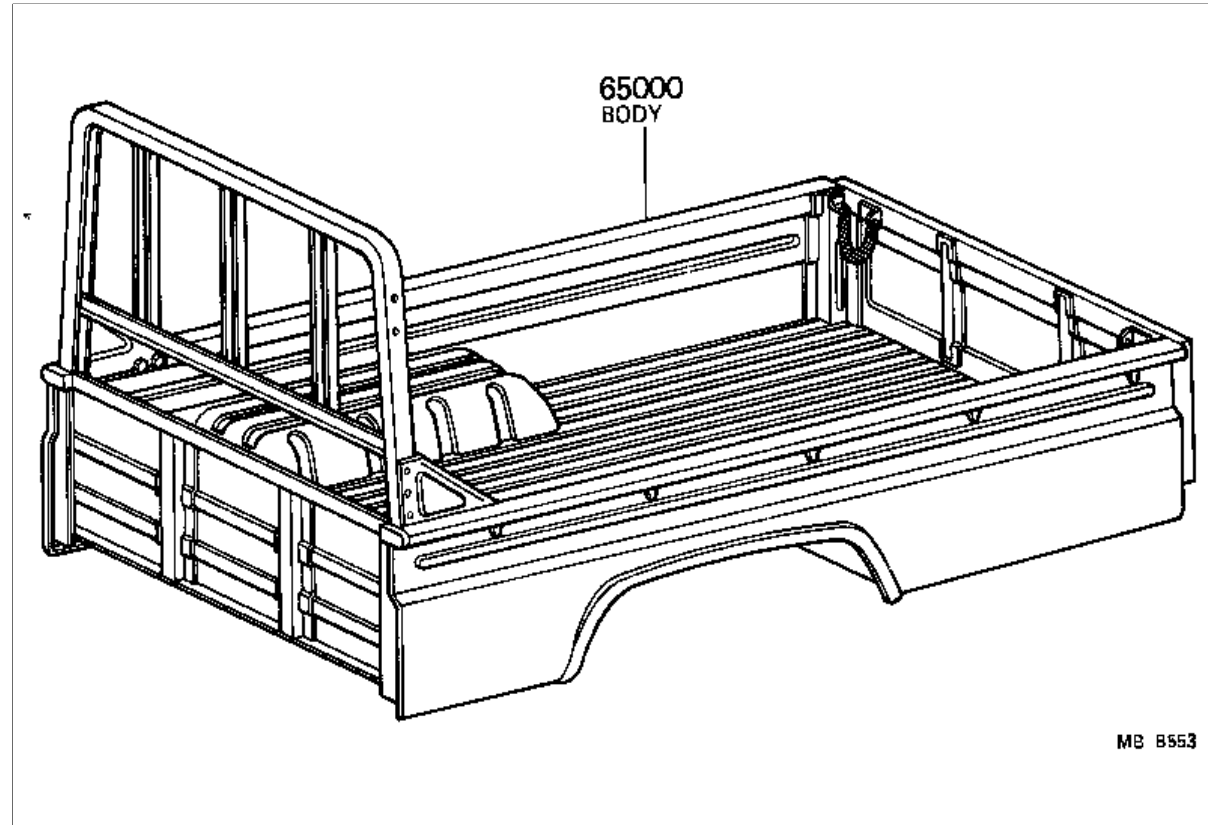
BJ40, 42, FJ40 . . V

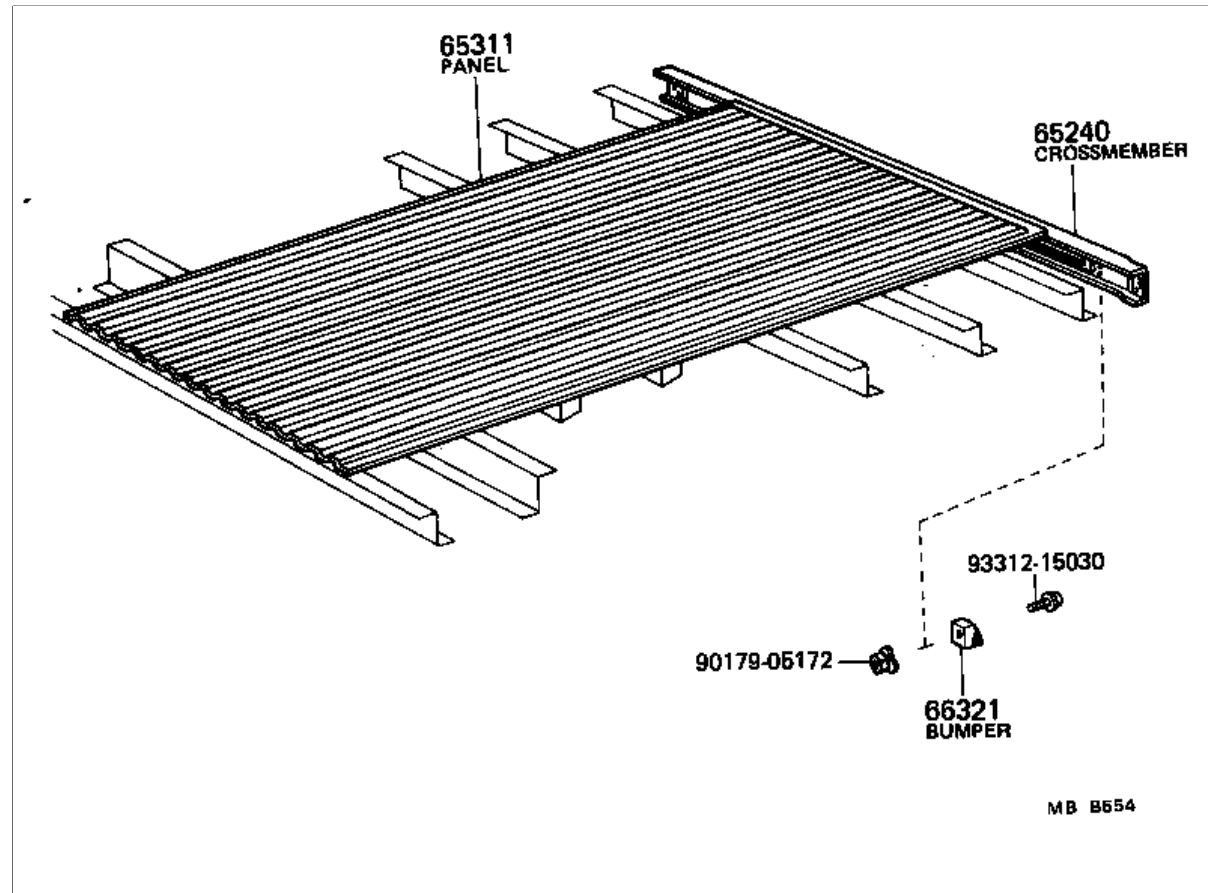


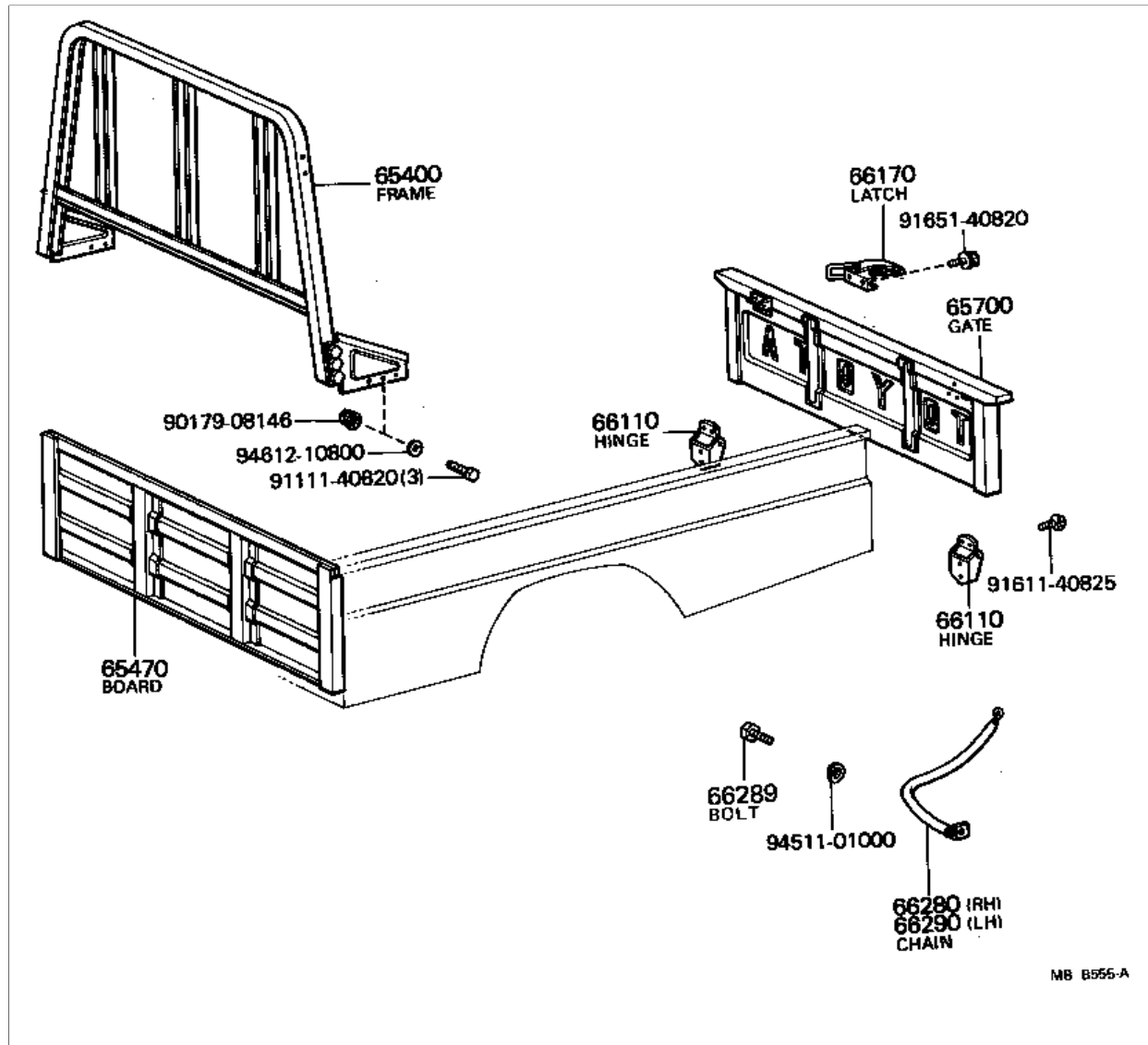
BJ45, HJ47, FJ45 . . V

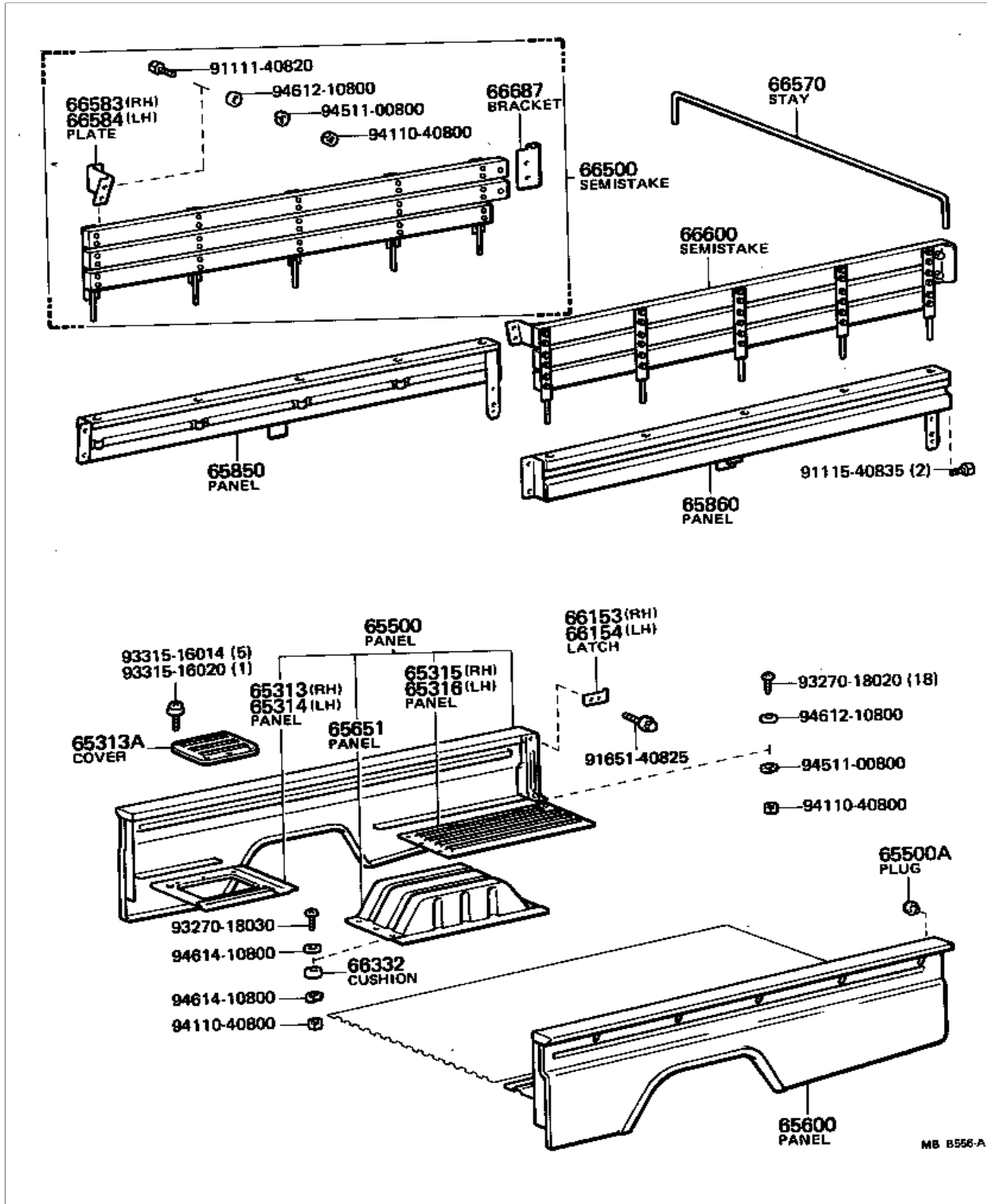


(8008-) PIC

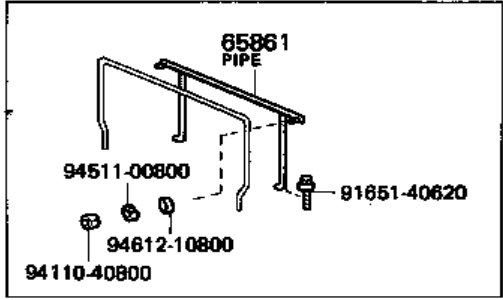




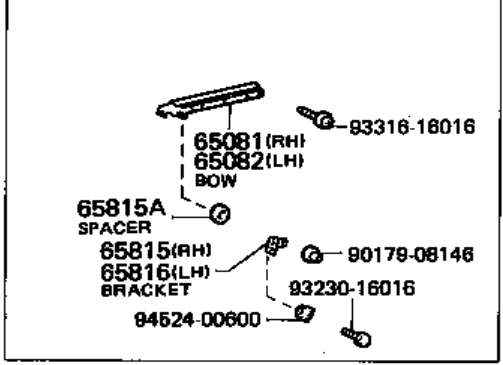




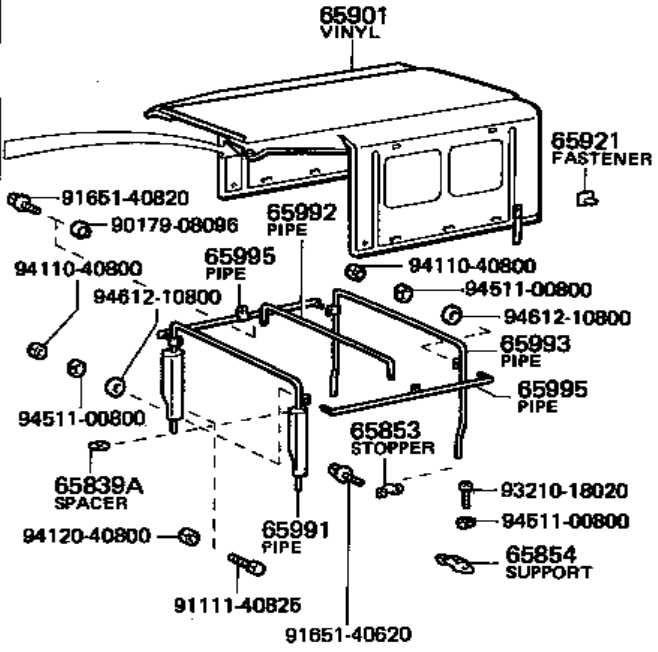
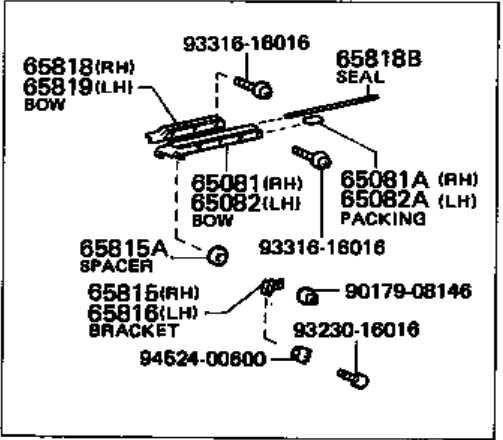
TPC

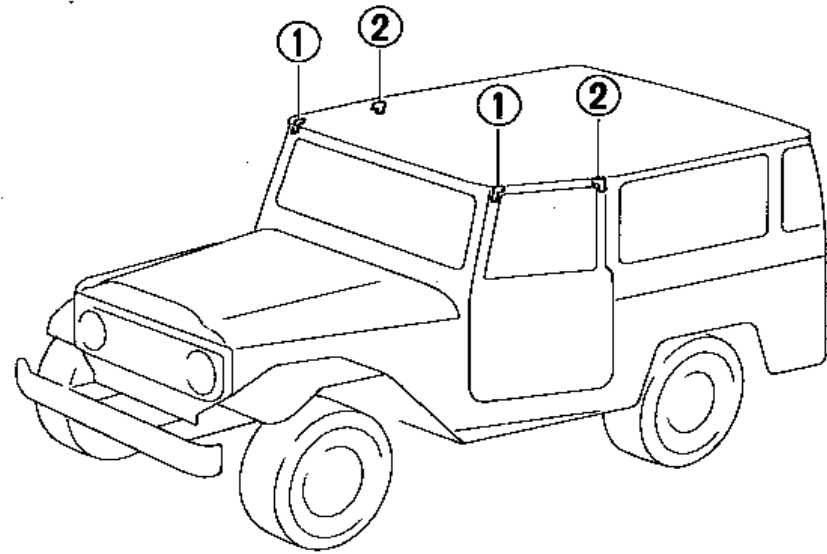
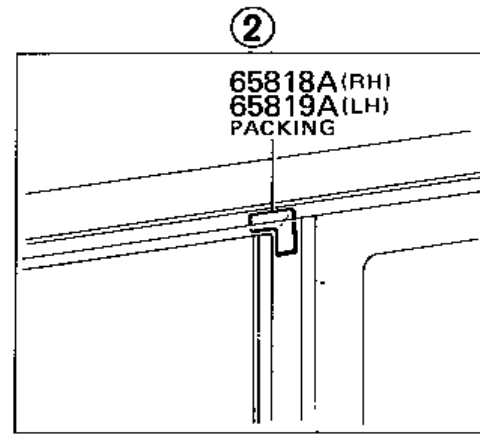
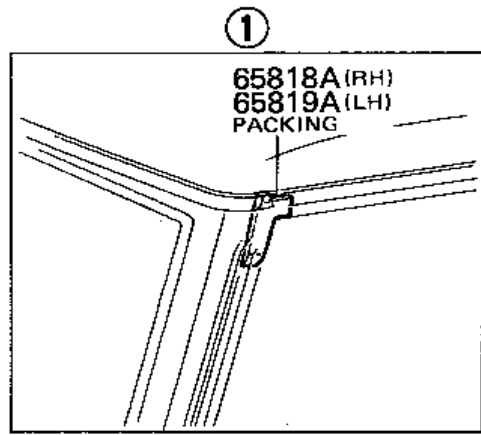


W/Canvas Door

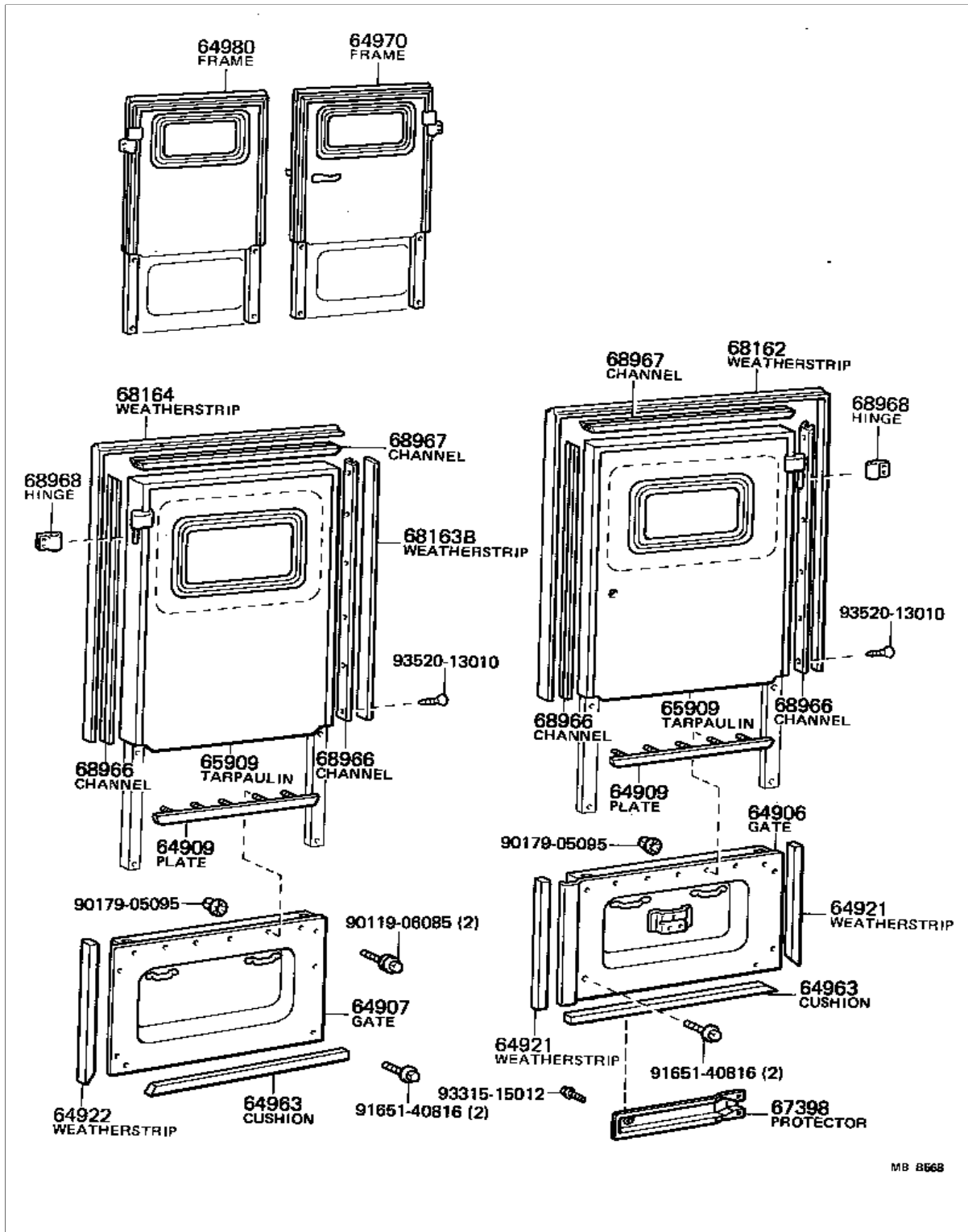


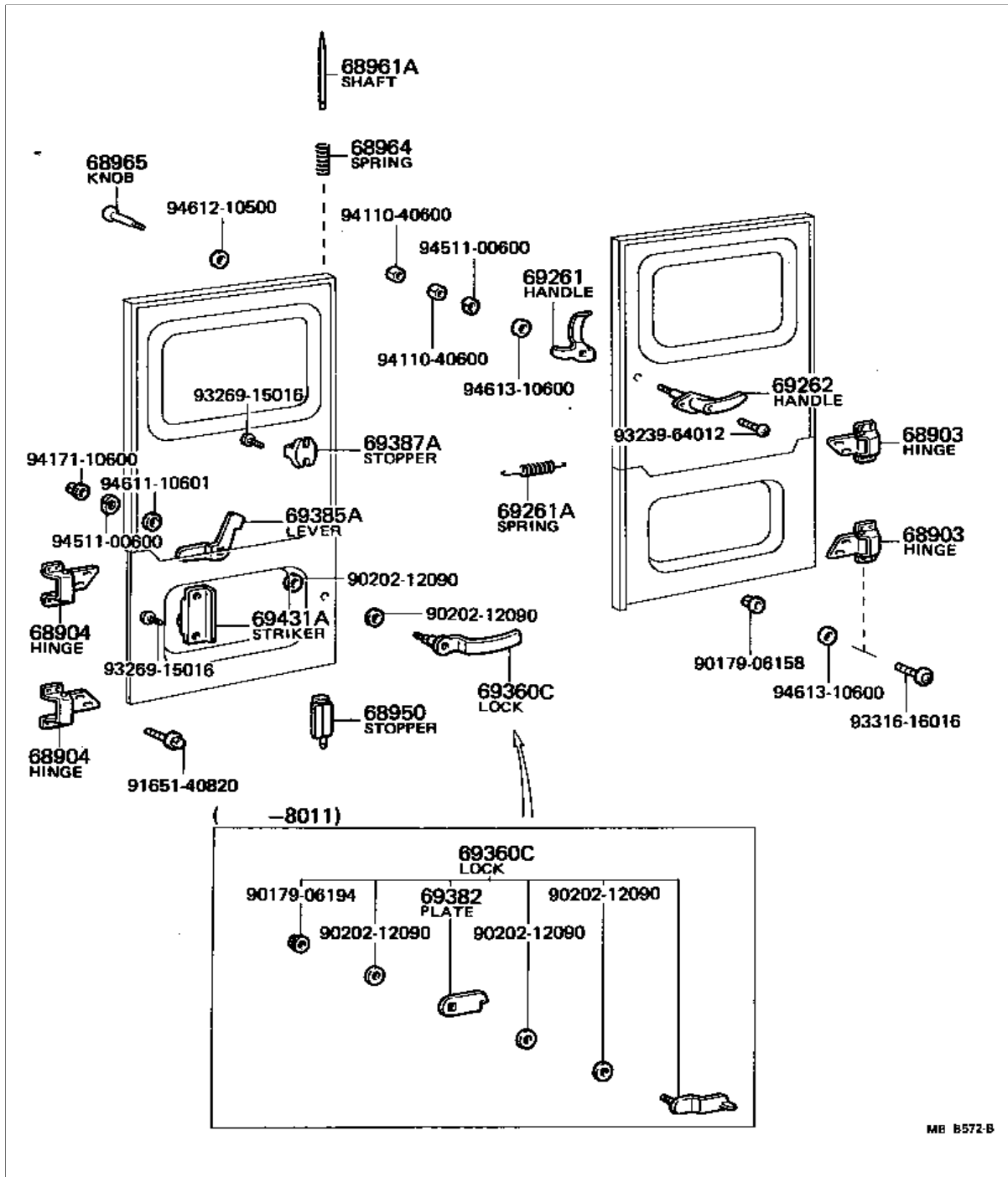
W/Steel Door

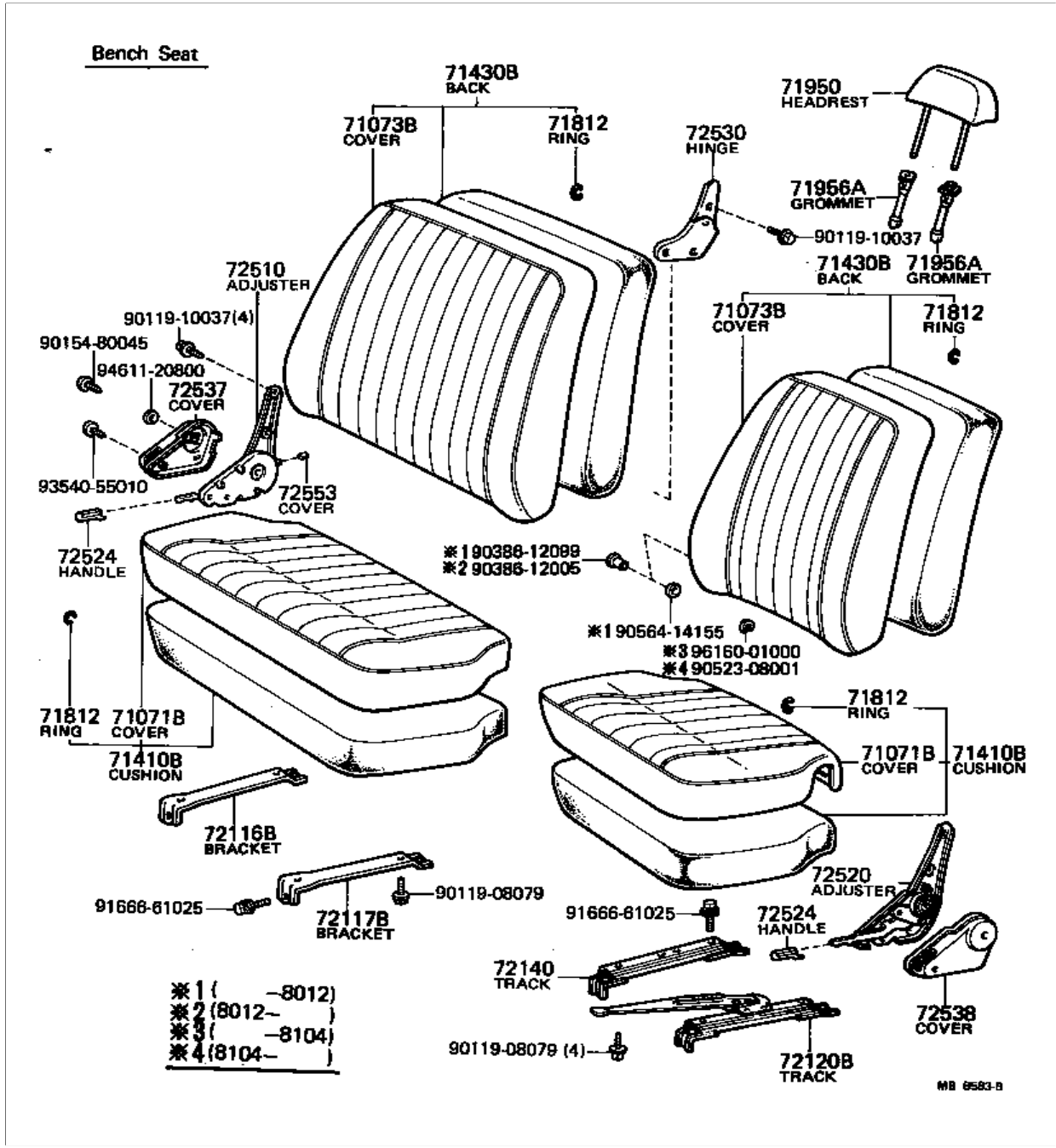


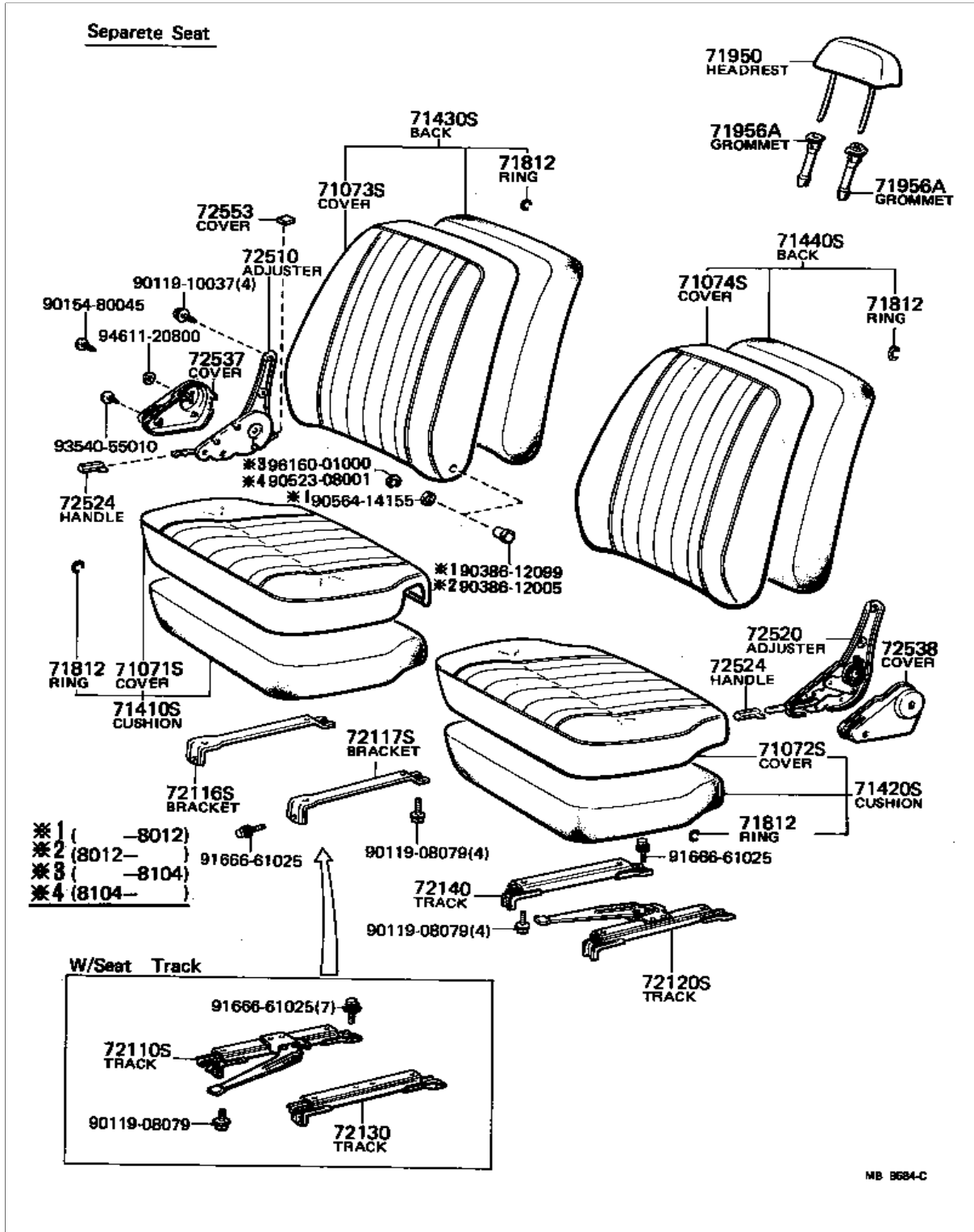


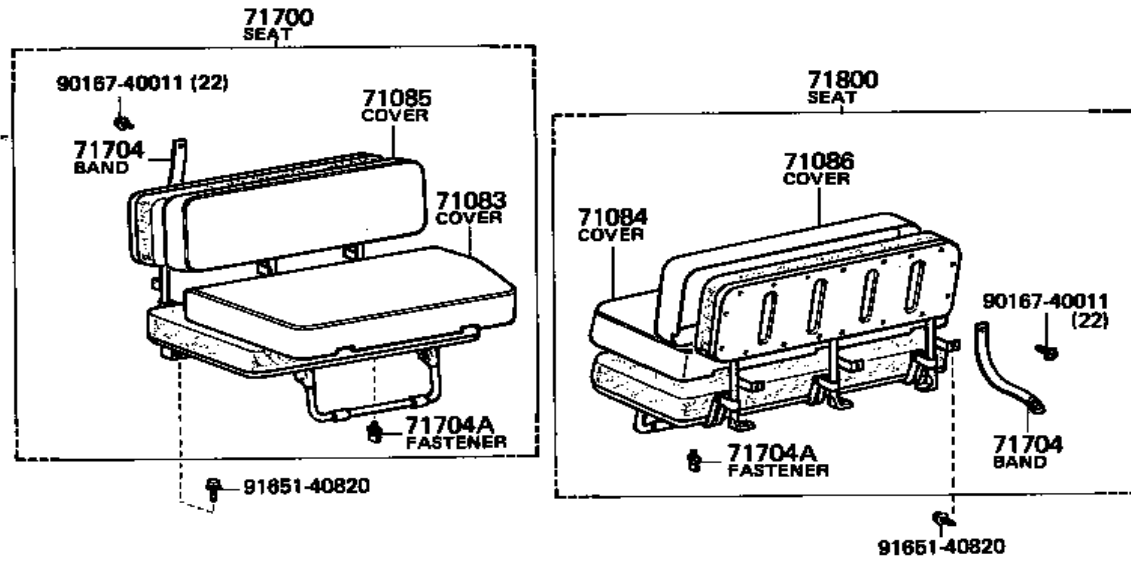
MB C360



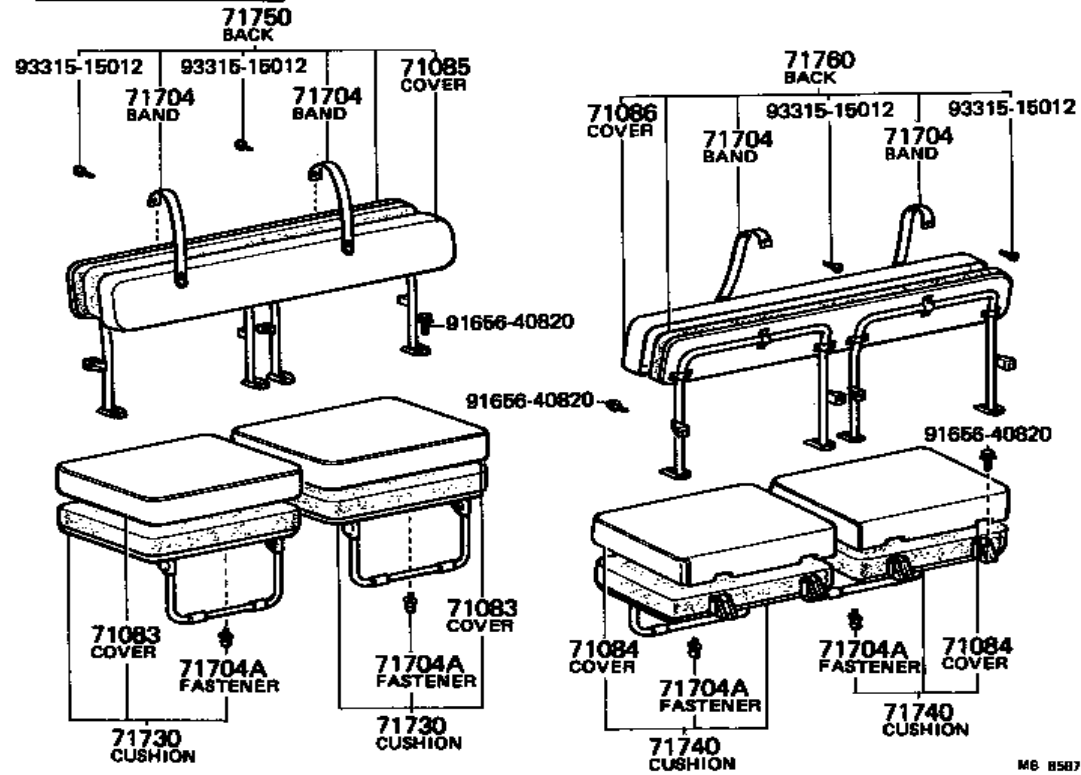






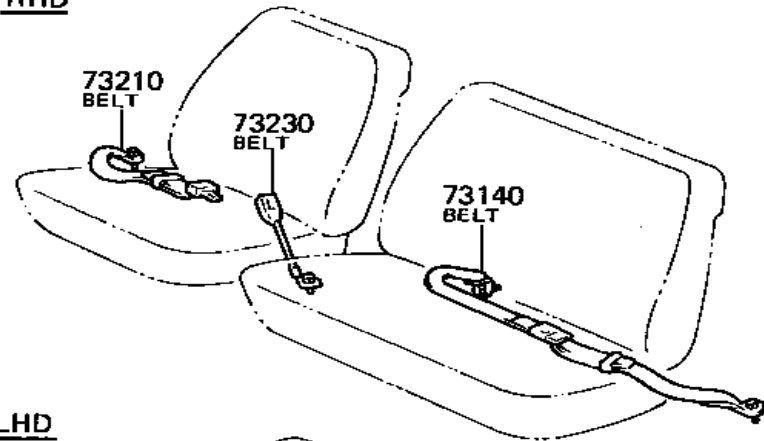


BJ45, HJ47, FJ45 . . V, TP

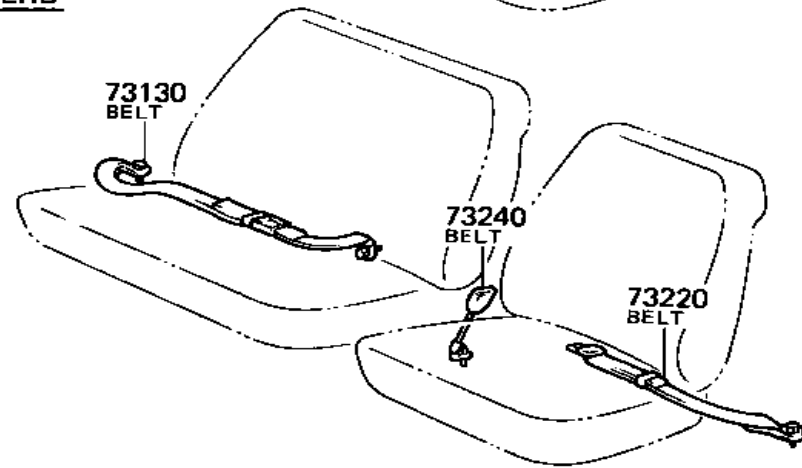


Front Lap Type

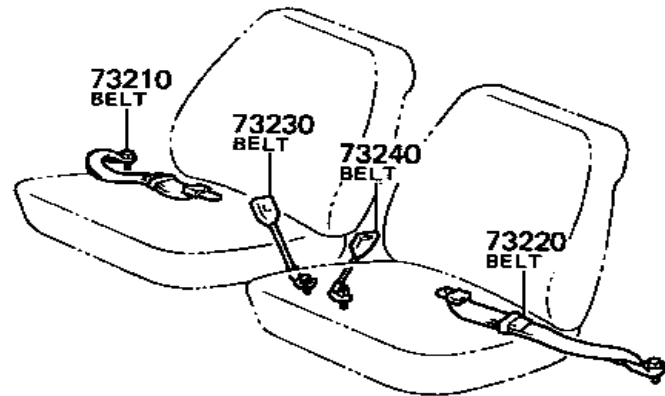
Bench Seat RHD



Bench Seat LHD



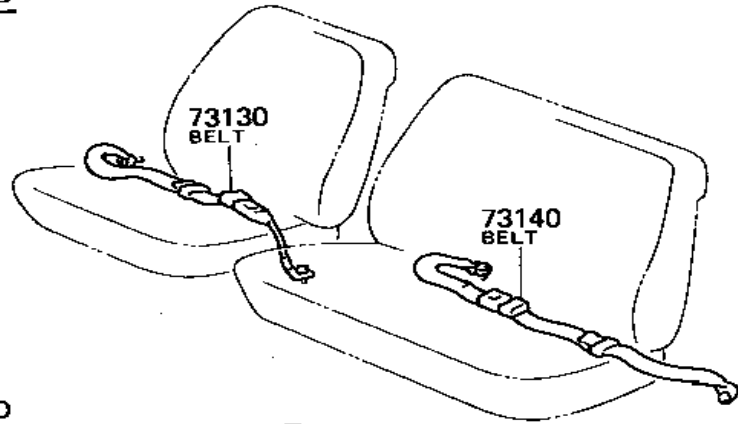
Separate Seat



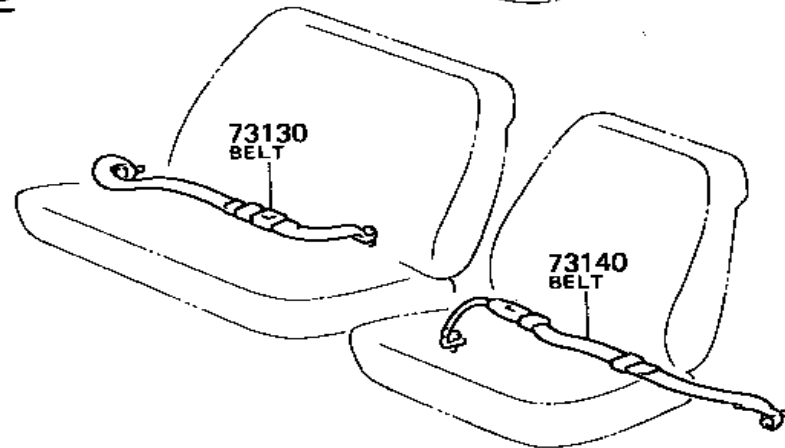
MB 8708-B

Front Lap Type

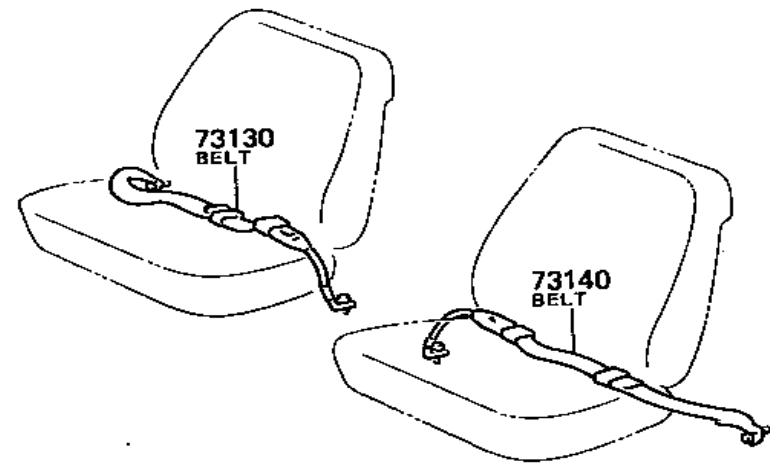
Bench Seat RHD



Bench Seat LHD



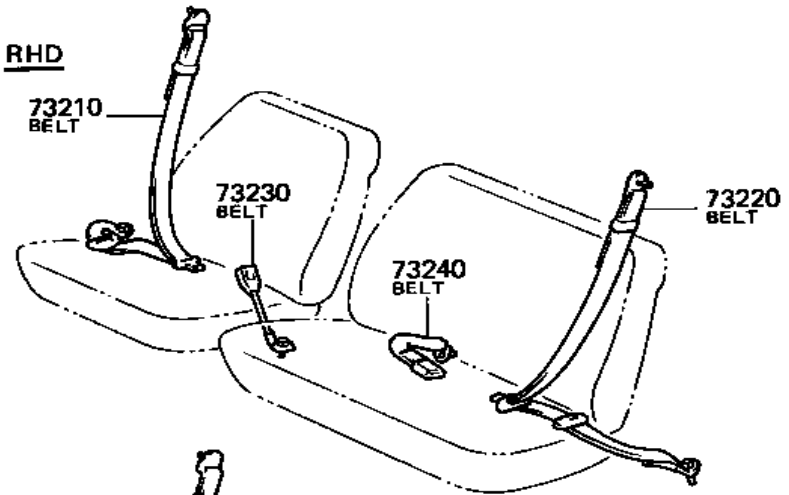
Separate Seat



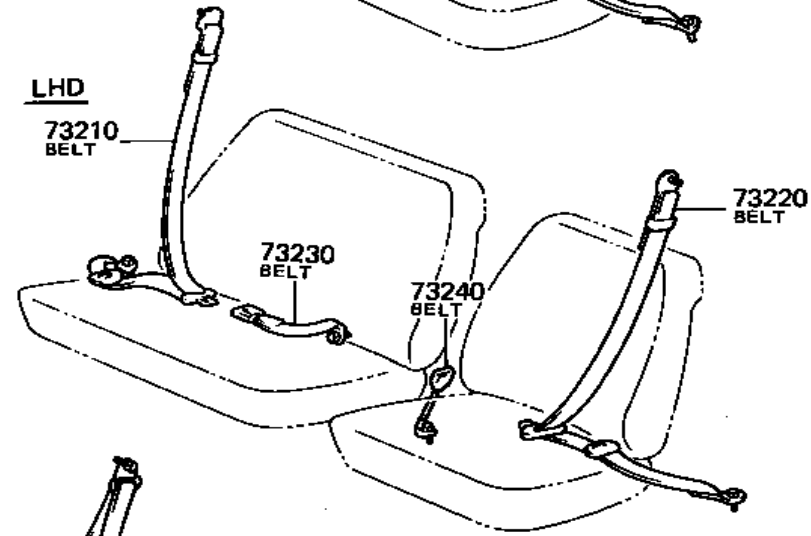
MB 8709-B

Front 3-point Type

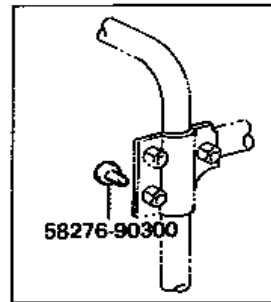
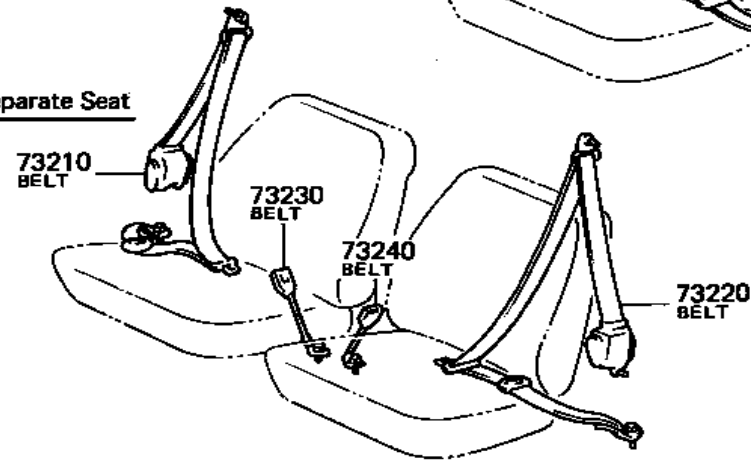
Bench Seat RHD



Bench Seat LHD



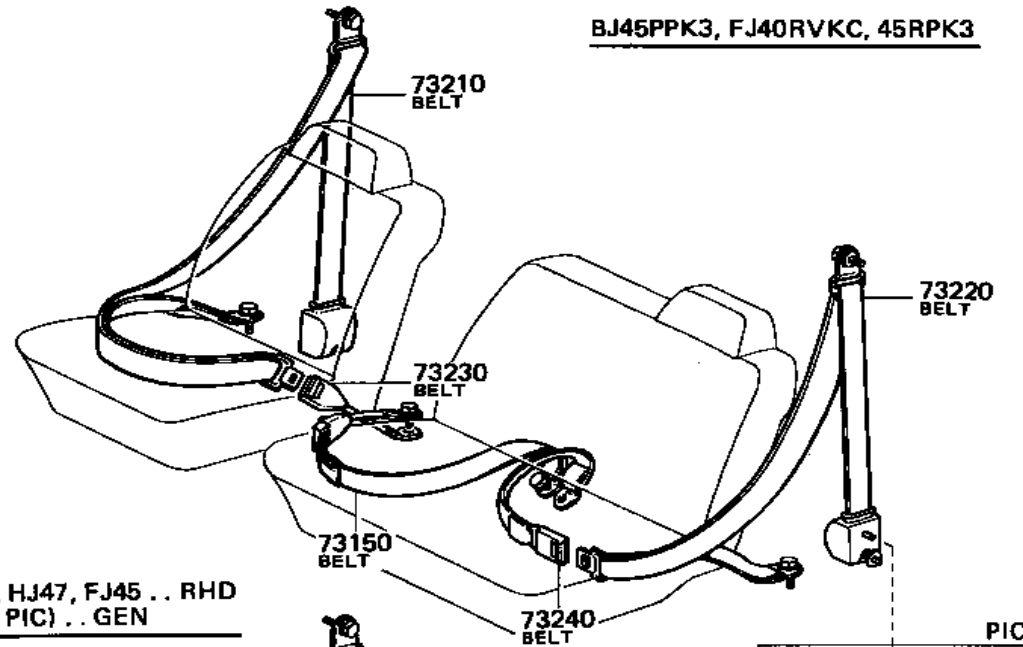
Separate Seat



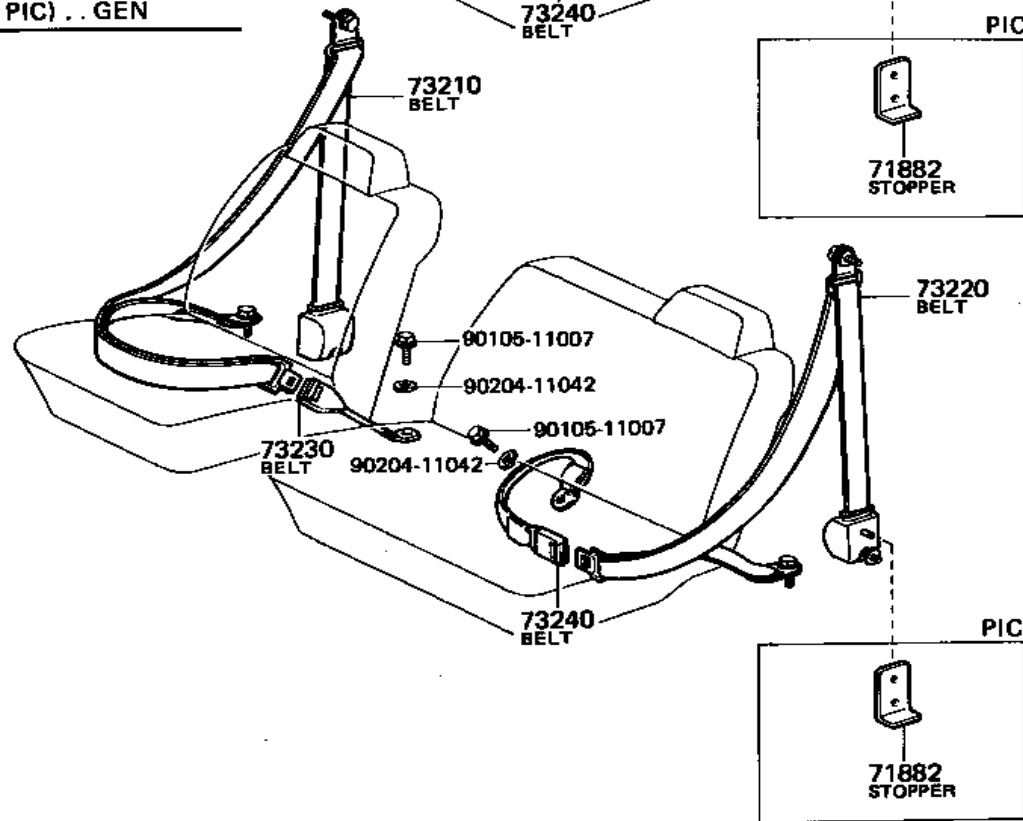
(8008-)BJ45,HJ47,FJ45..RHD..(V,PIC)..GEN; (8008-)FJ40.. FJ40RVKC

Front

BJ45PPK3, FJ40RVKC, 45RPK3

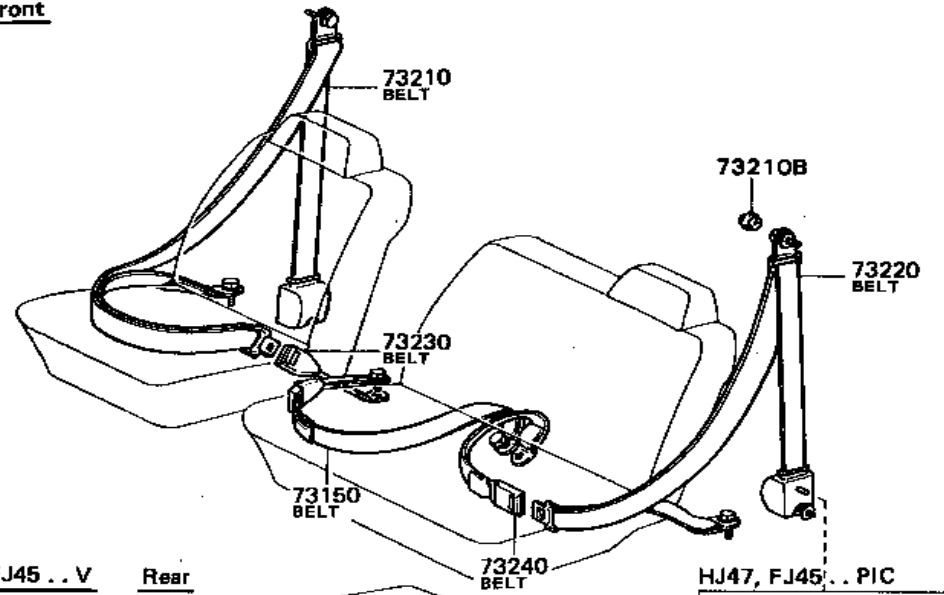


RJ45, HJ47, FJ45 .. RHD
.. (V, PIC) .. GEN

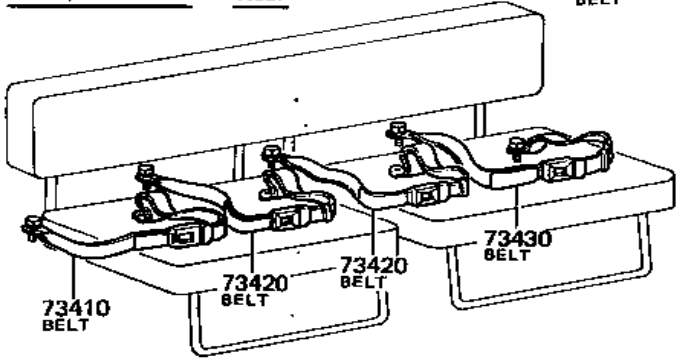


MB C225-A

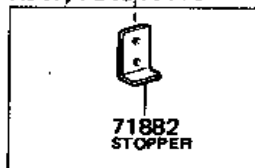
Front



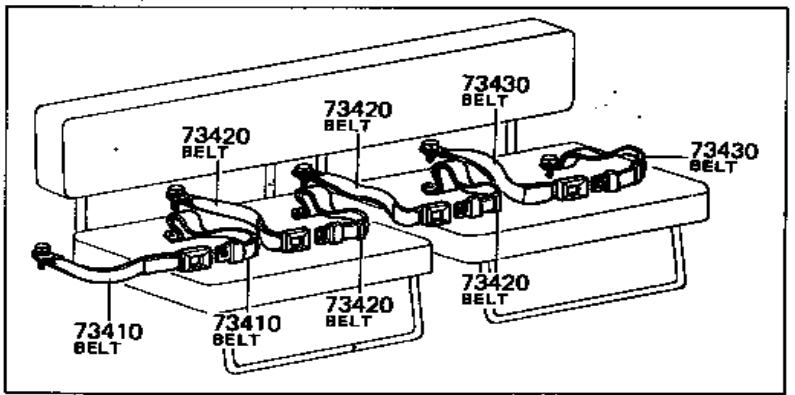
HJ47, FJ45 . . V Rear



HJ47, FJ45 . . PIC

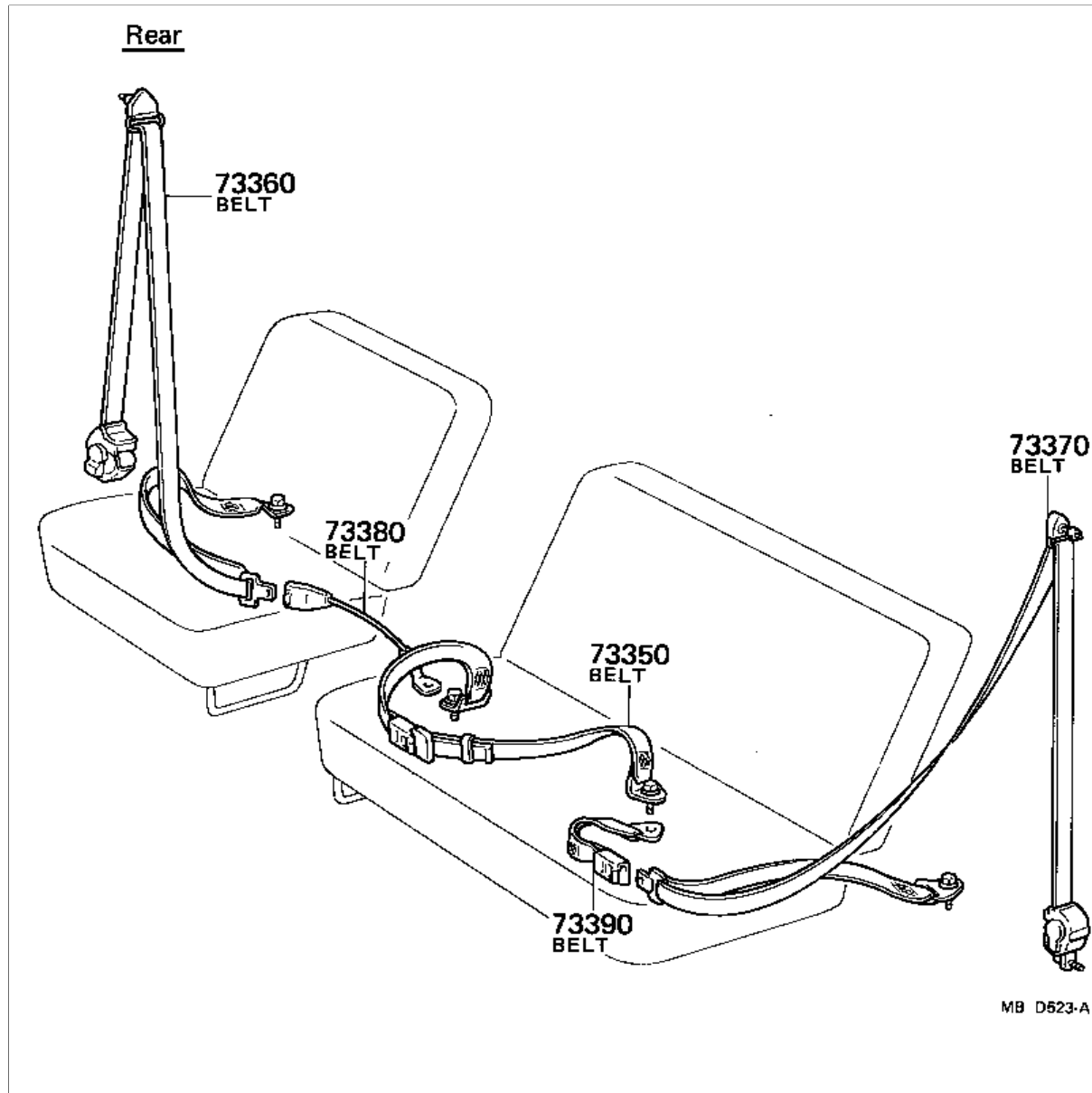


(-8210)



MB B590-C

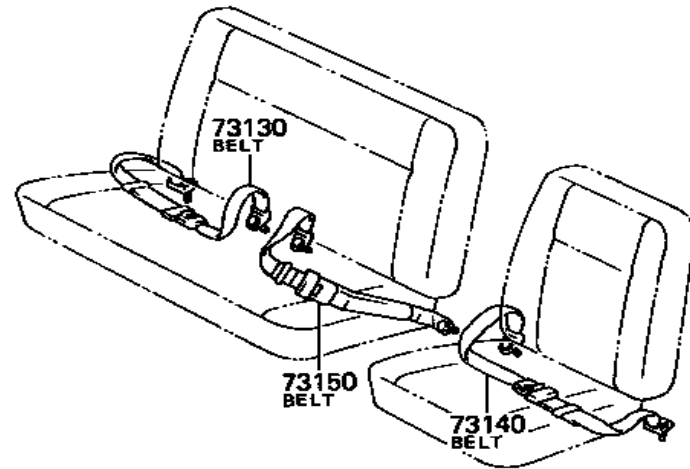
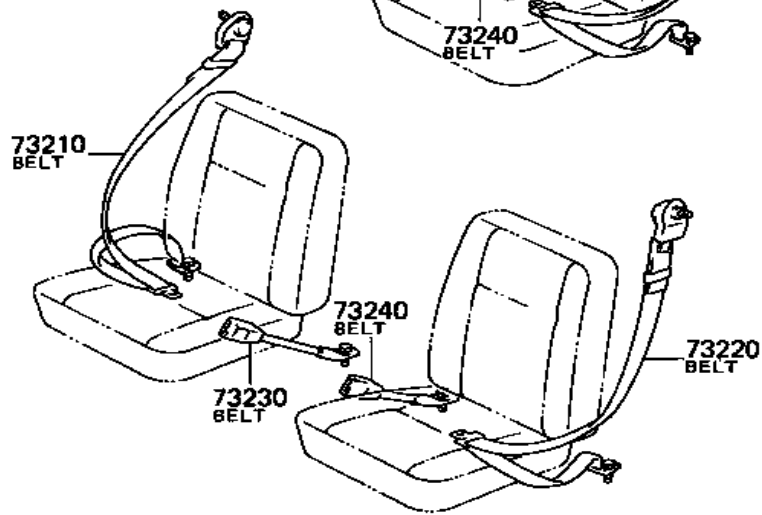
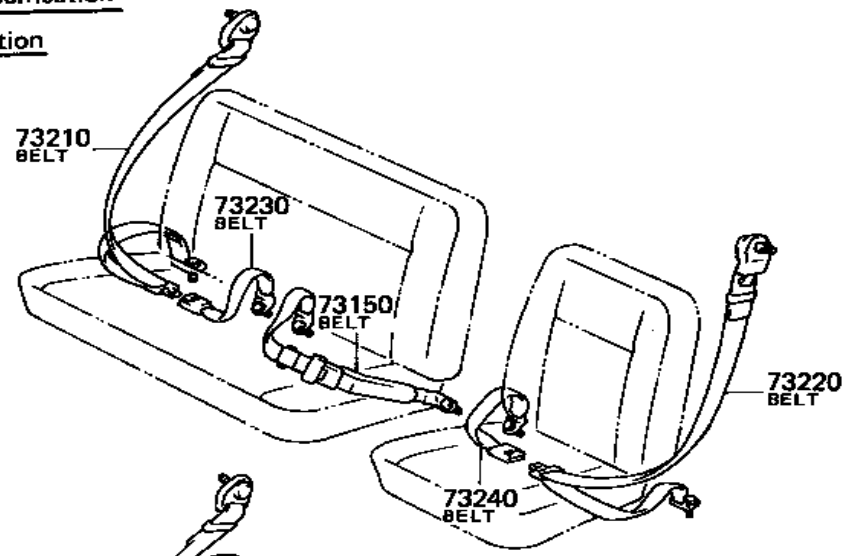
(8110-)BJ42,FJ40..VKC..(ARL, EUR)



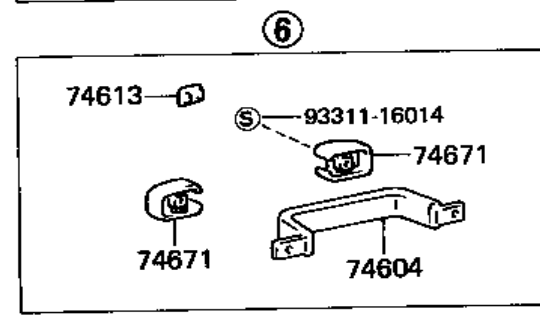
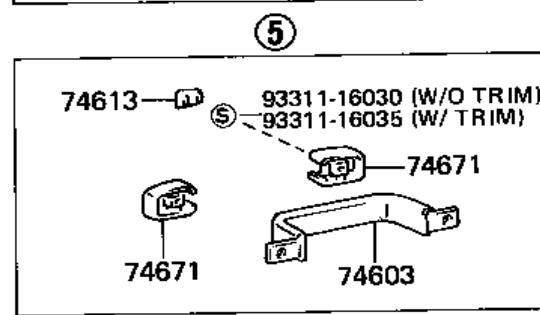
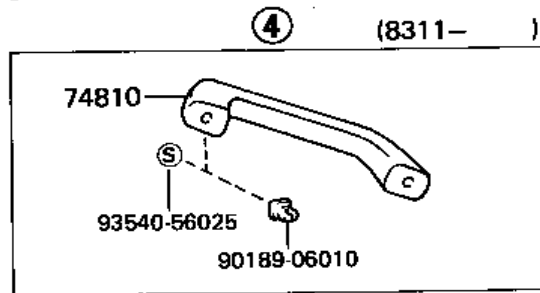
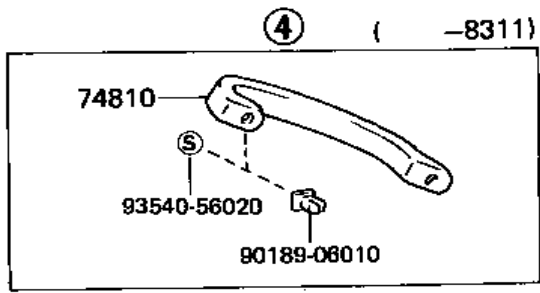
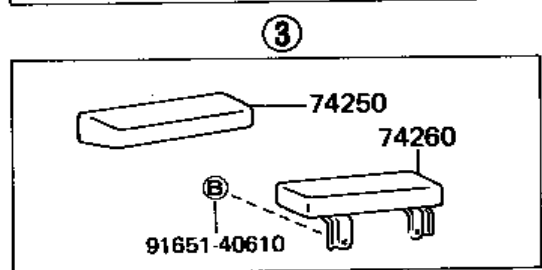
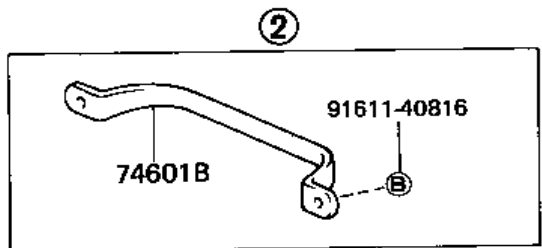
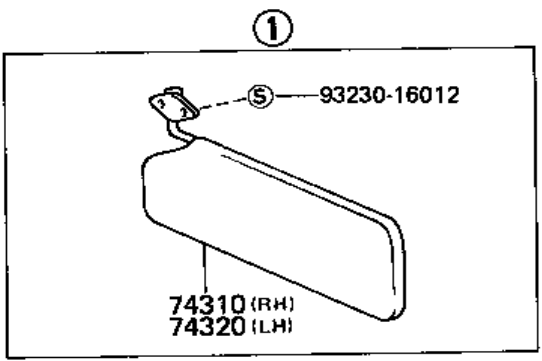
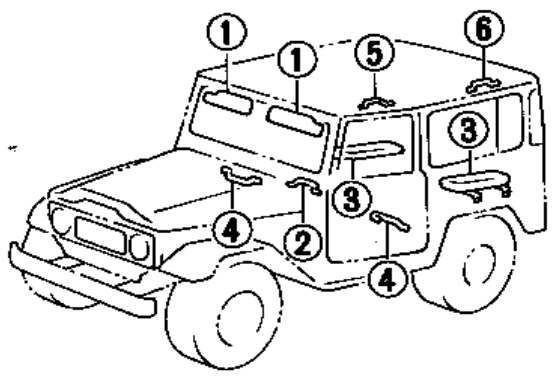
(8210-) FJ40LVKC, 40LVMC, 43LKC, 45LK, 45LKC, 45LVKC, 45LPK, 45LPK3, BJ45LPK, 45LVKC, HJ47LVKC

Saudi Arabia Specification

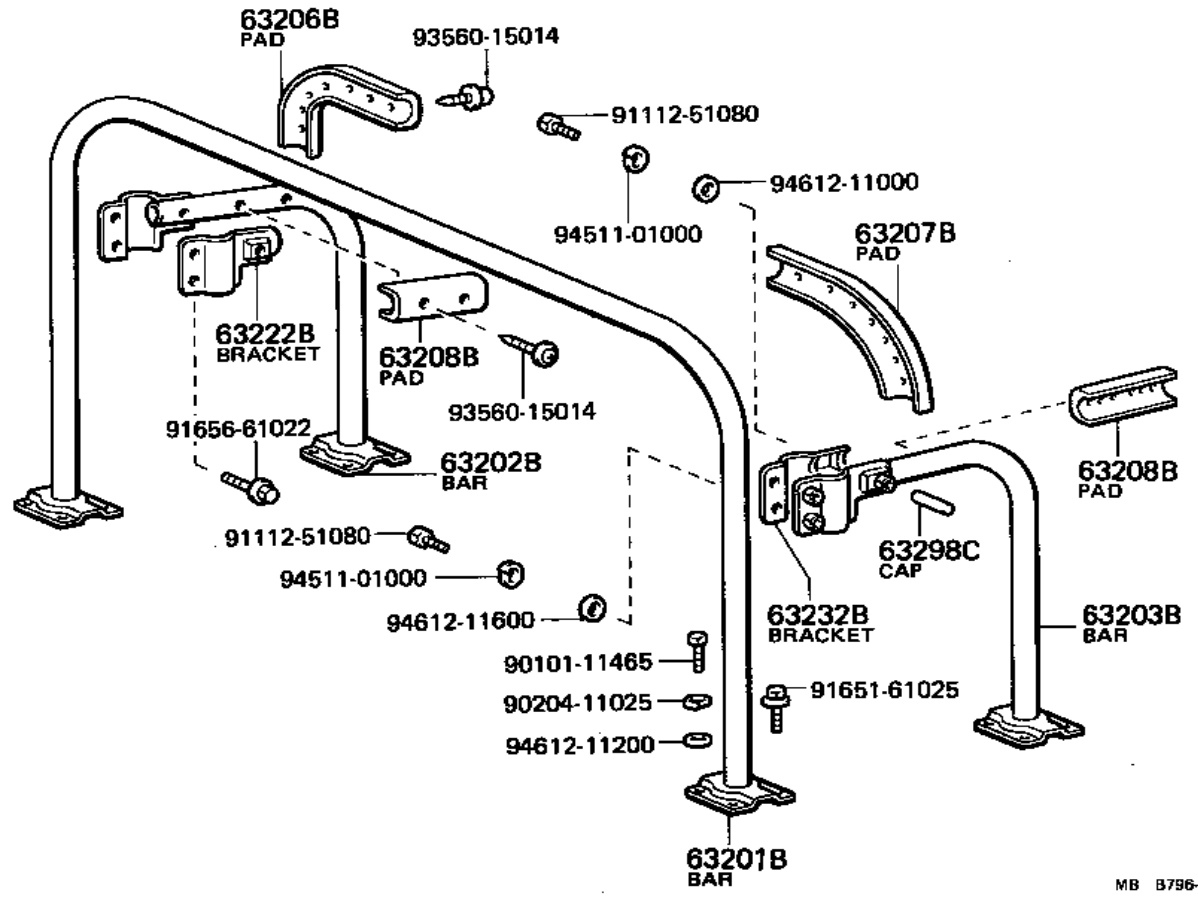
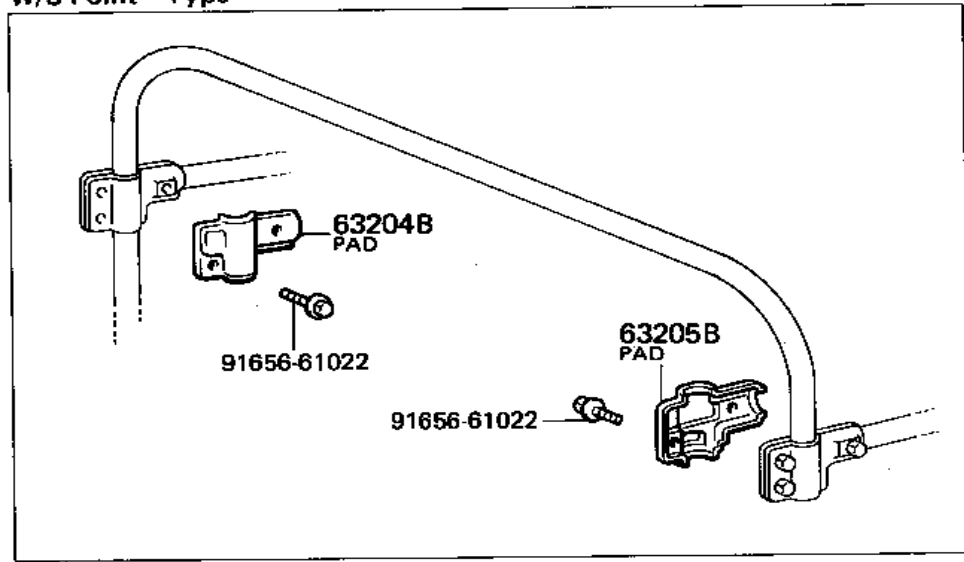
Orman Specification



MB E906-B



W/3-Point Type



(-8208)

(8208-)

4E

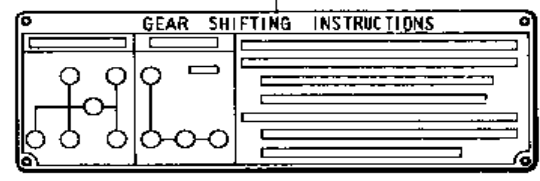
74559A
PLATE

DIESEL

74559A
PLATE

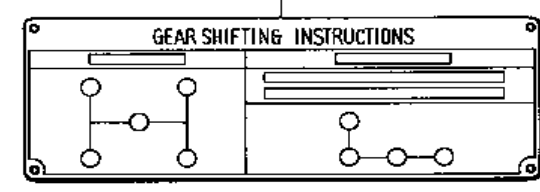
DIESEL
軽油

74533
PLATE

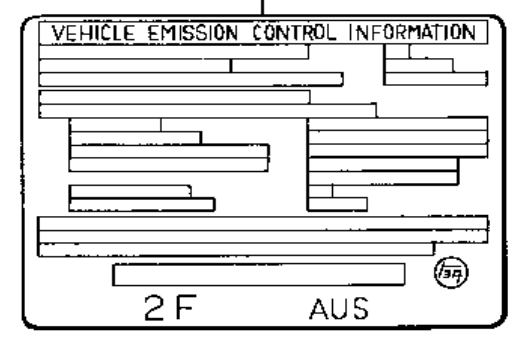


3F

74533
PLATE



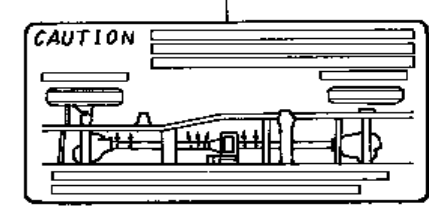
74562
PLATE



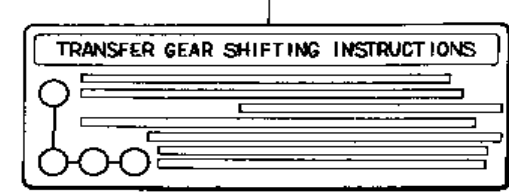
74552
PLATE

TOYOTA LANDCRUISER

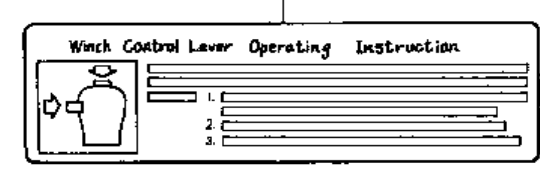
37199
PLATE



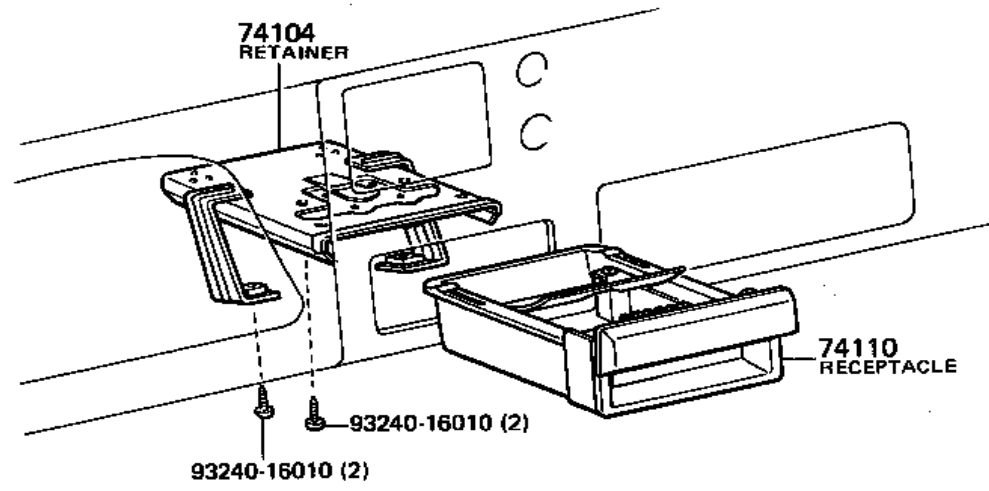
33621A
PLATE



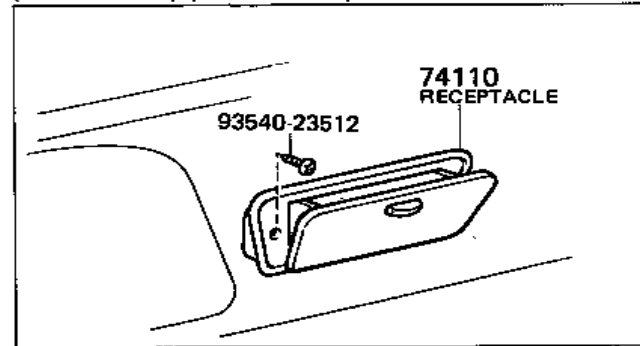
33621A
PLATE



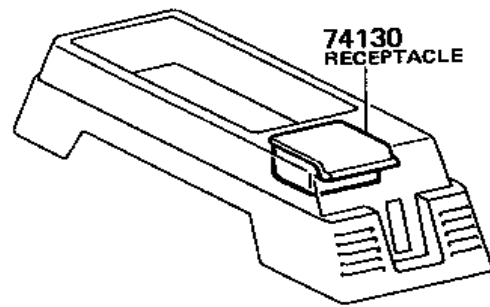
(8110-) RHD

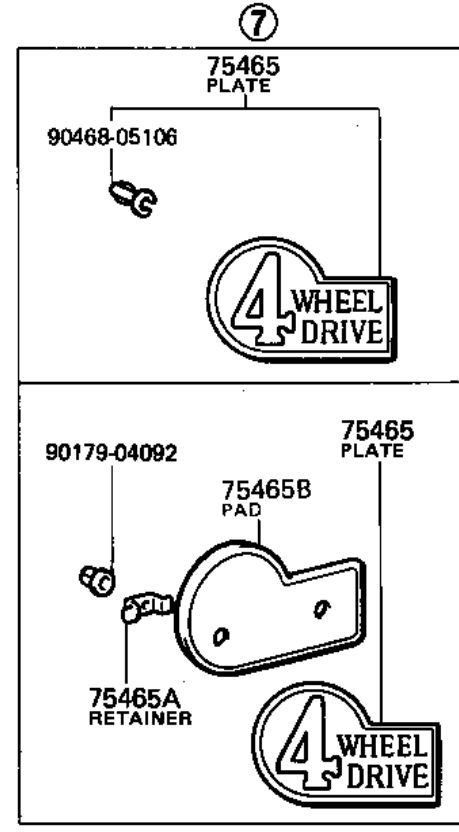
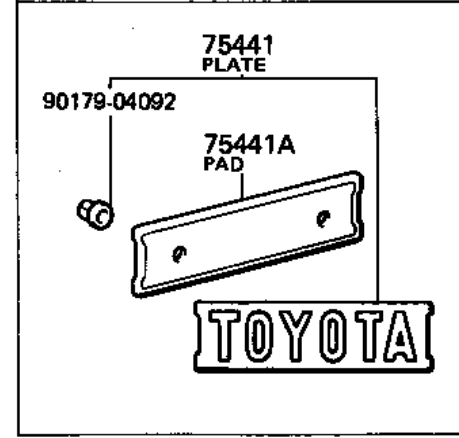
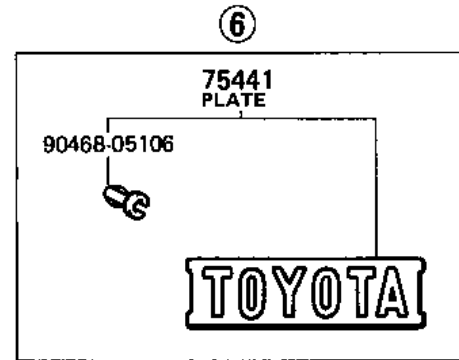
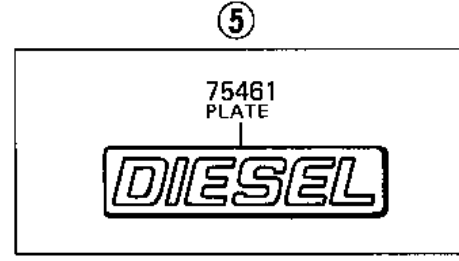
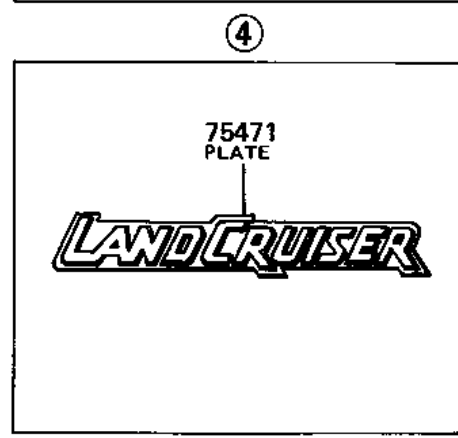
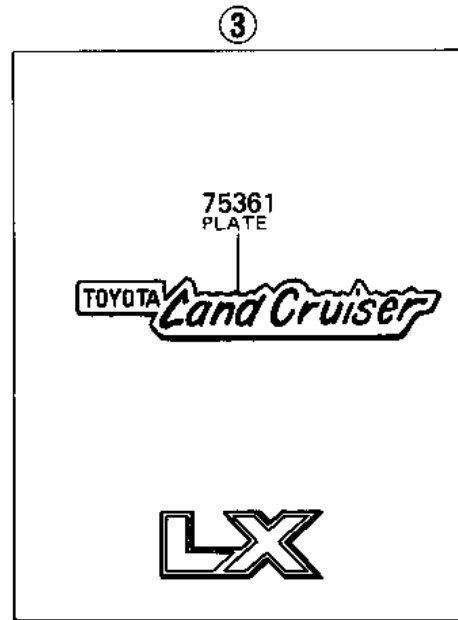
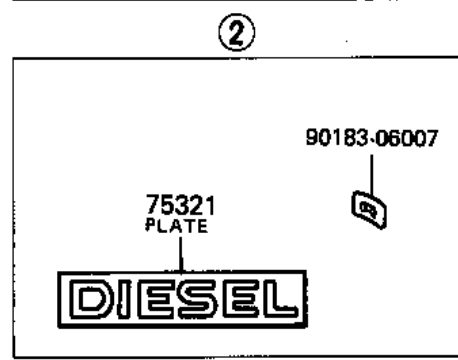
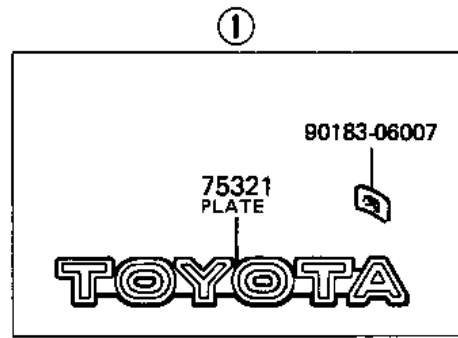
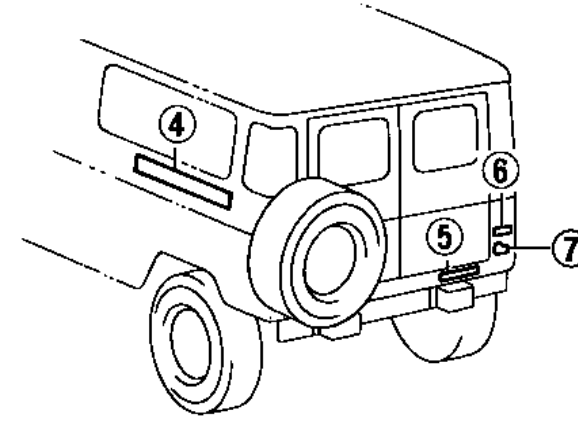
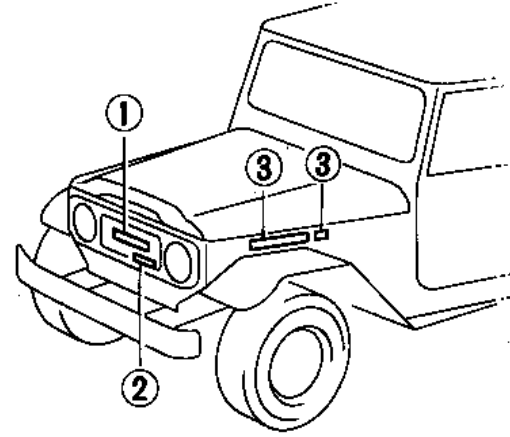


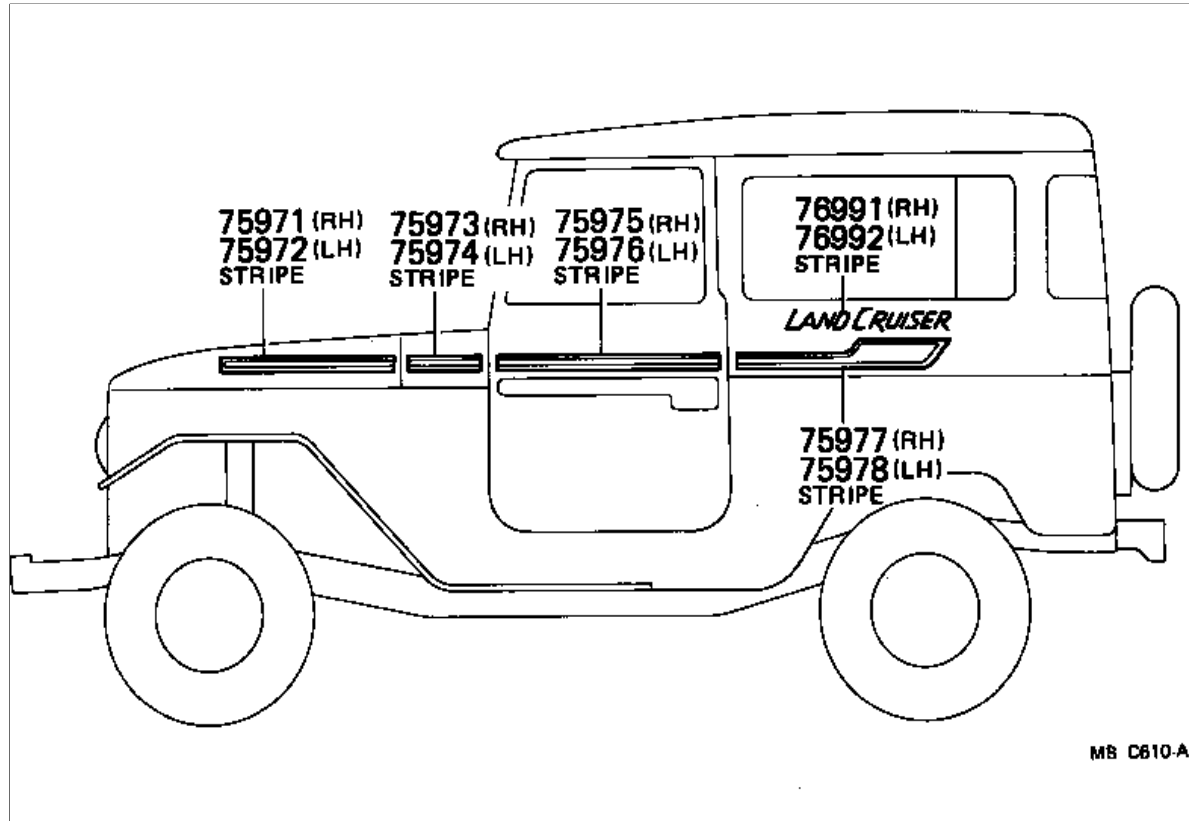
(-8110) (8110-) LHD



W/Rear Heater







MB C810-A

